

# ECX – 4U QUICK START GUIDE



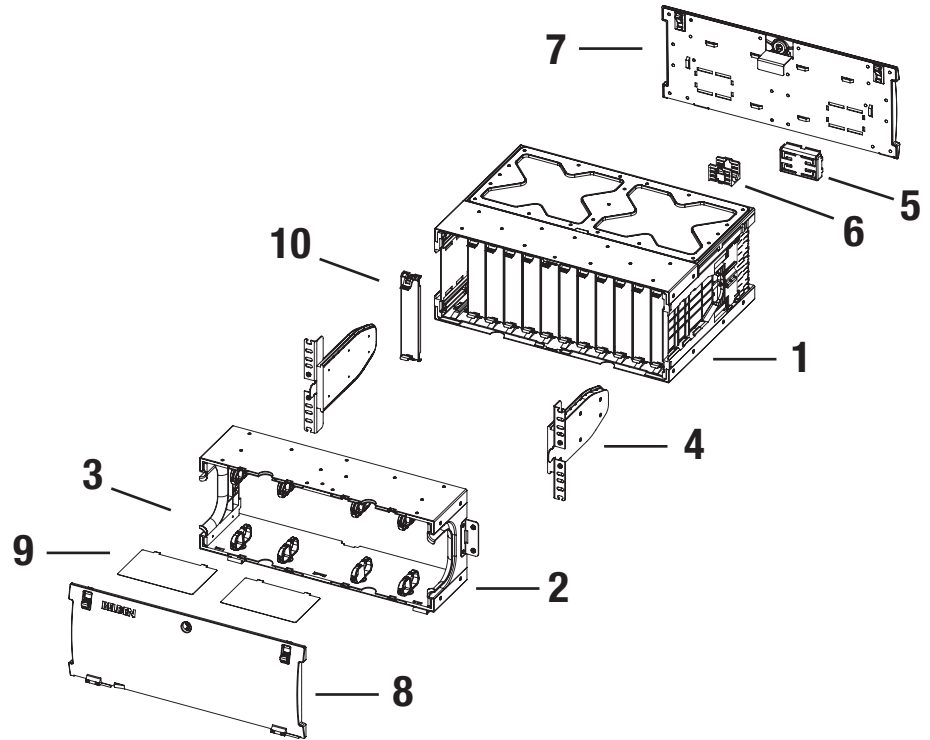
ES: Visite nuestra pagina web [www.belden.com](http://www.belden.com) para obtener el guía de instalación en español.  
FR: Veuillez visiter notre site web au [www.belden.com](http://www.belden.com) pour obtenir le guide d'installation en français.

## Carton contents

1. Rear housing (1X)
2. Front housing (1X)
3. Management clips (16X)
4. Rack mounting bracket (2X)
5. Internal strain relief (2X)
6. Intermediate strain relief (1X)
7. Rear door (1X)
8. Front door (1X)
9. Label card (2X)
10. Blank Frames (12X)
11. Hardware kit (not shown)

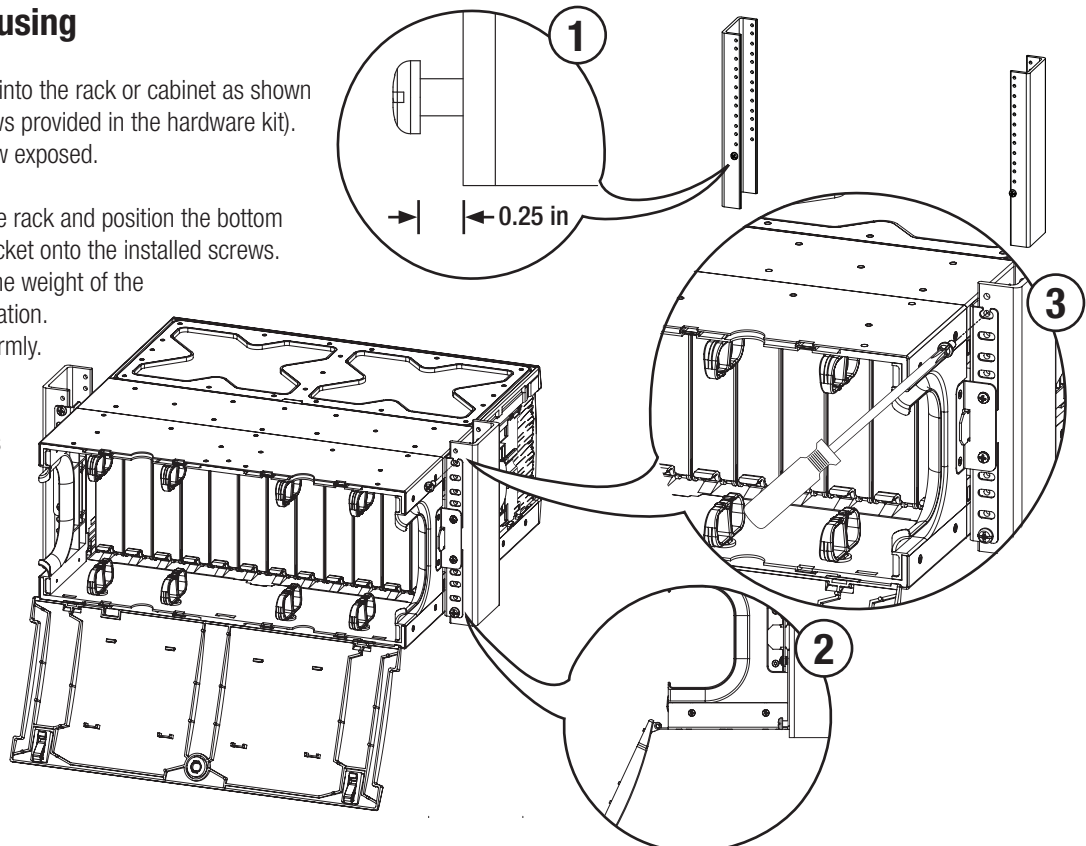
### Hardware kit contains:

- External strain relief (2X)
- Intermediate strain relief (1X)
- Cable tie 4in (12X)
- Cable tie 7 ½ in (4X)
- Velcro cable tie 8 in (8X)
- I.D label (2X)
- #12-24 machine screw Phillips (4X)
- #10-32 machine screw Phillips (4X)



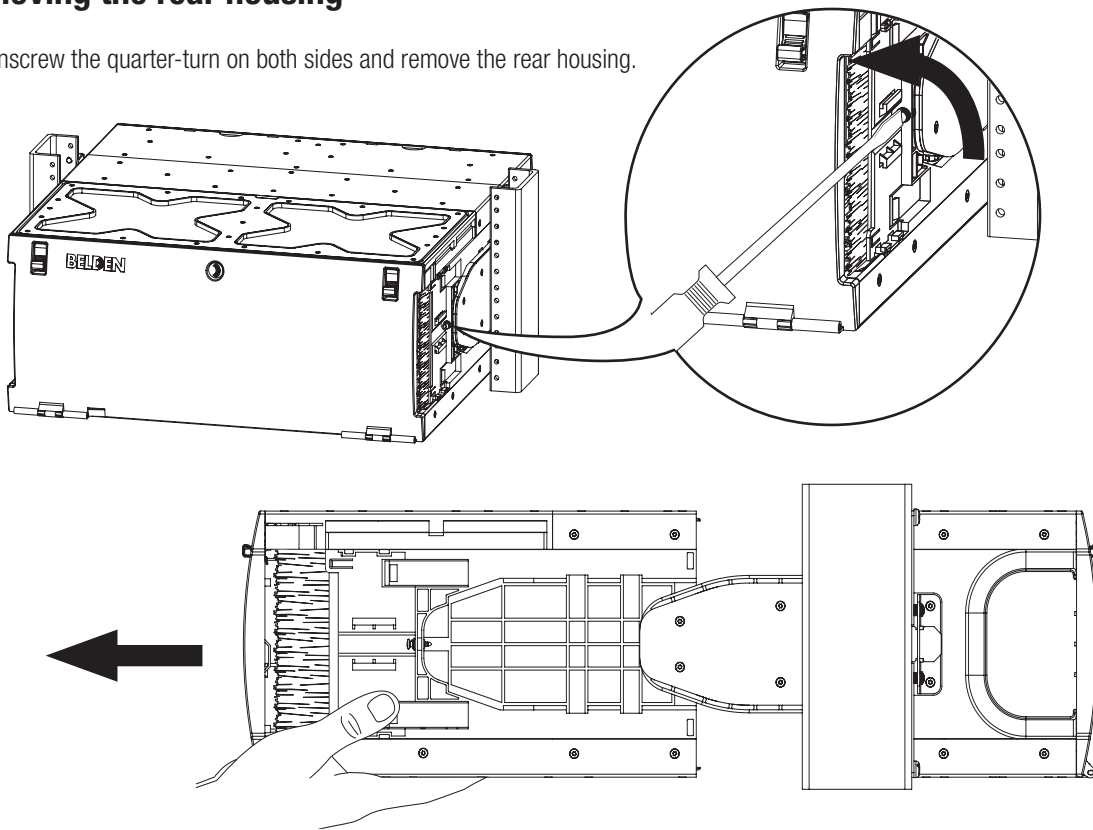
## Mounting the ECX housing

- 1** Insert the bottom screws into the rack or cabinet as shown (#12-24 or #10-32 screws provided in the hardware kit). Leave ¼ inch of the screw exposed.
- 2** Install the housing into the rack and position the bottom slots of the mounting bracket onto the installed screws. These screws will carry the weight of the housing during the installation. Tighten the 2 screws in firmly.
- 3** Install the top two screws and tighten all the screws in firmly.



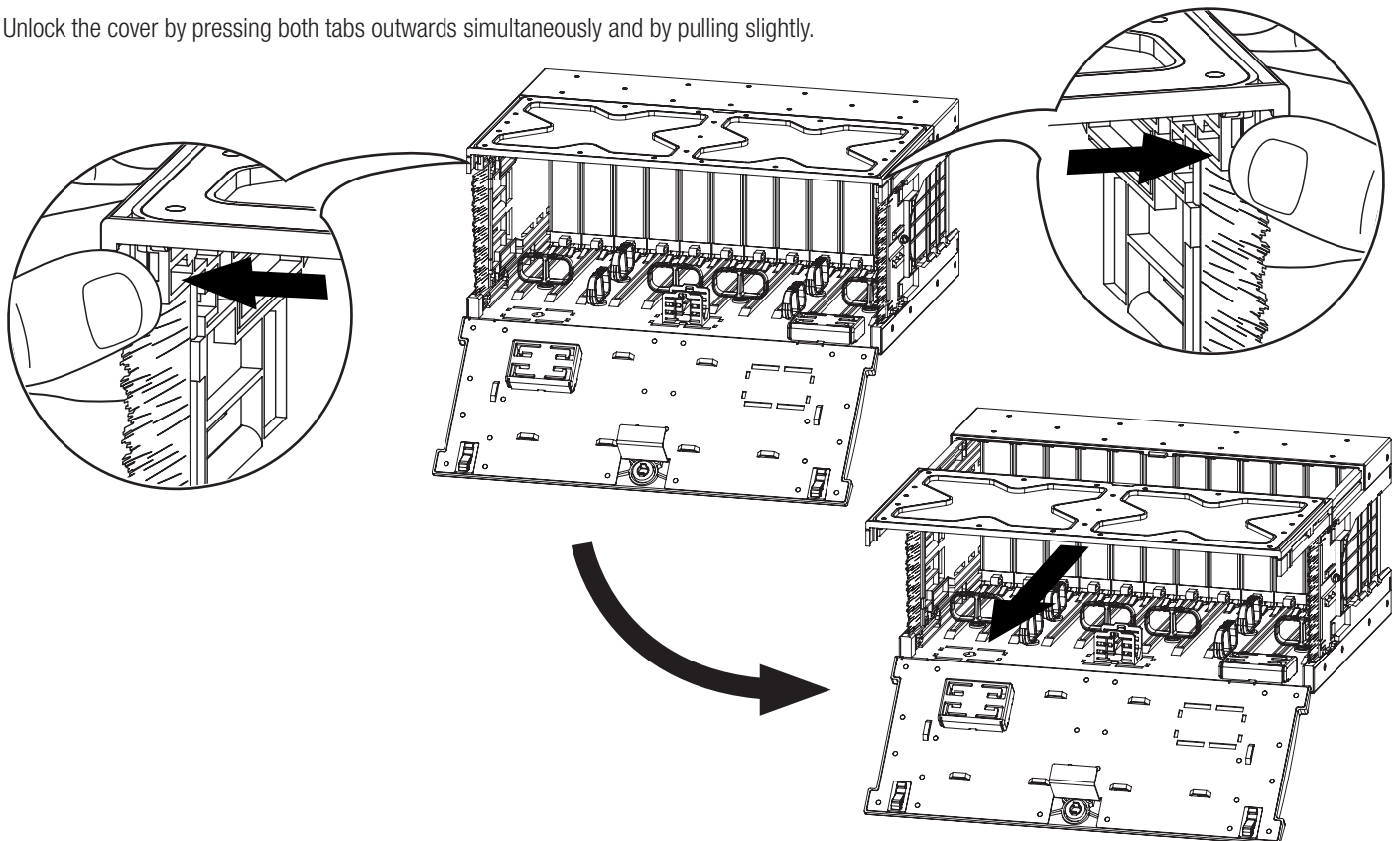
## Removing the rear housing

Unscrew the quarter-turn on both sides and remove the rear housing.



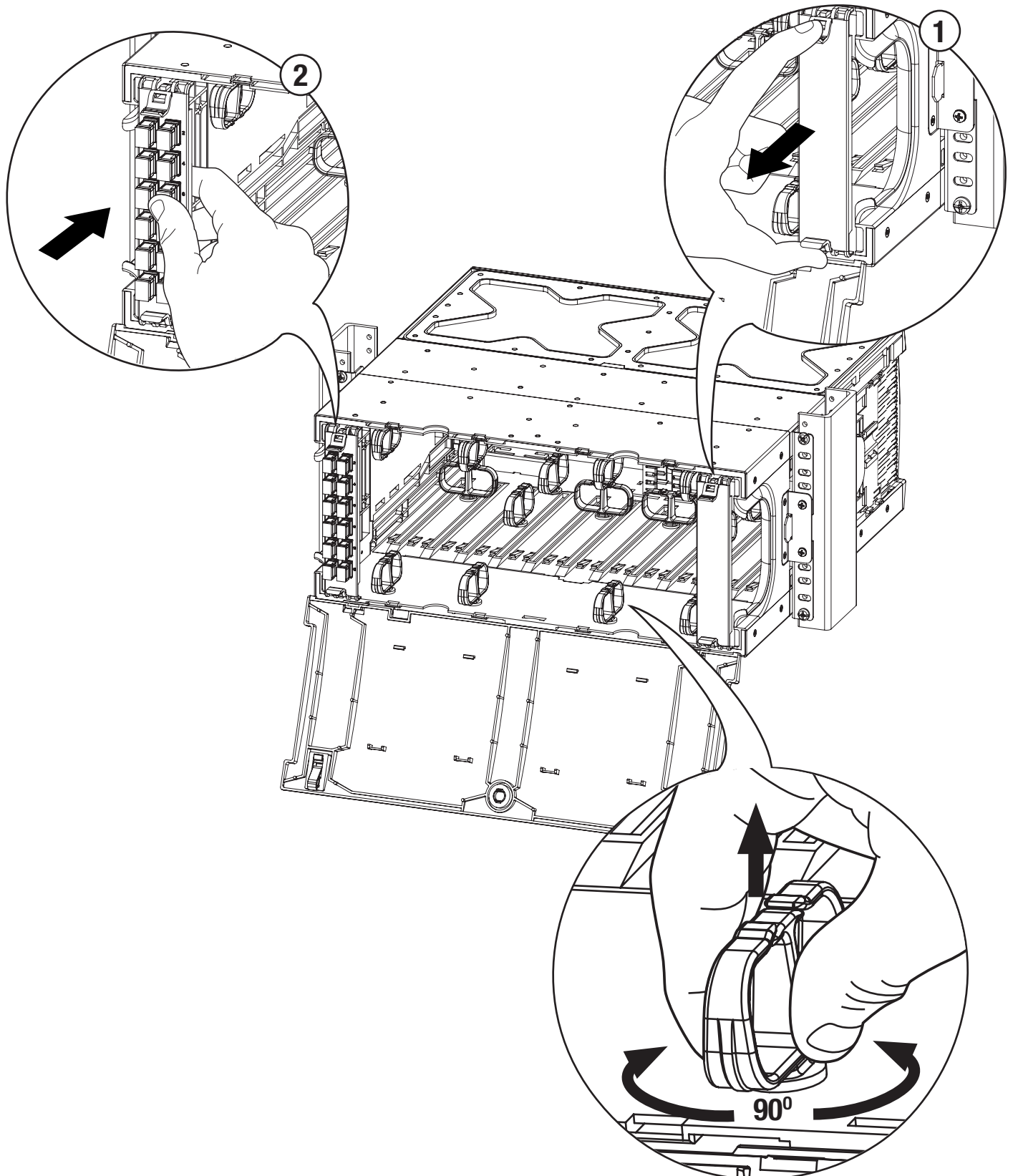
## Removing the cover

Unlock the cover by pressing both tabs outwards simultaneously and by pulling slightly.



## Installation of frames

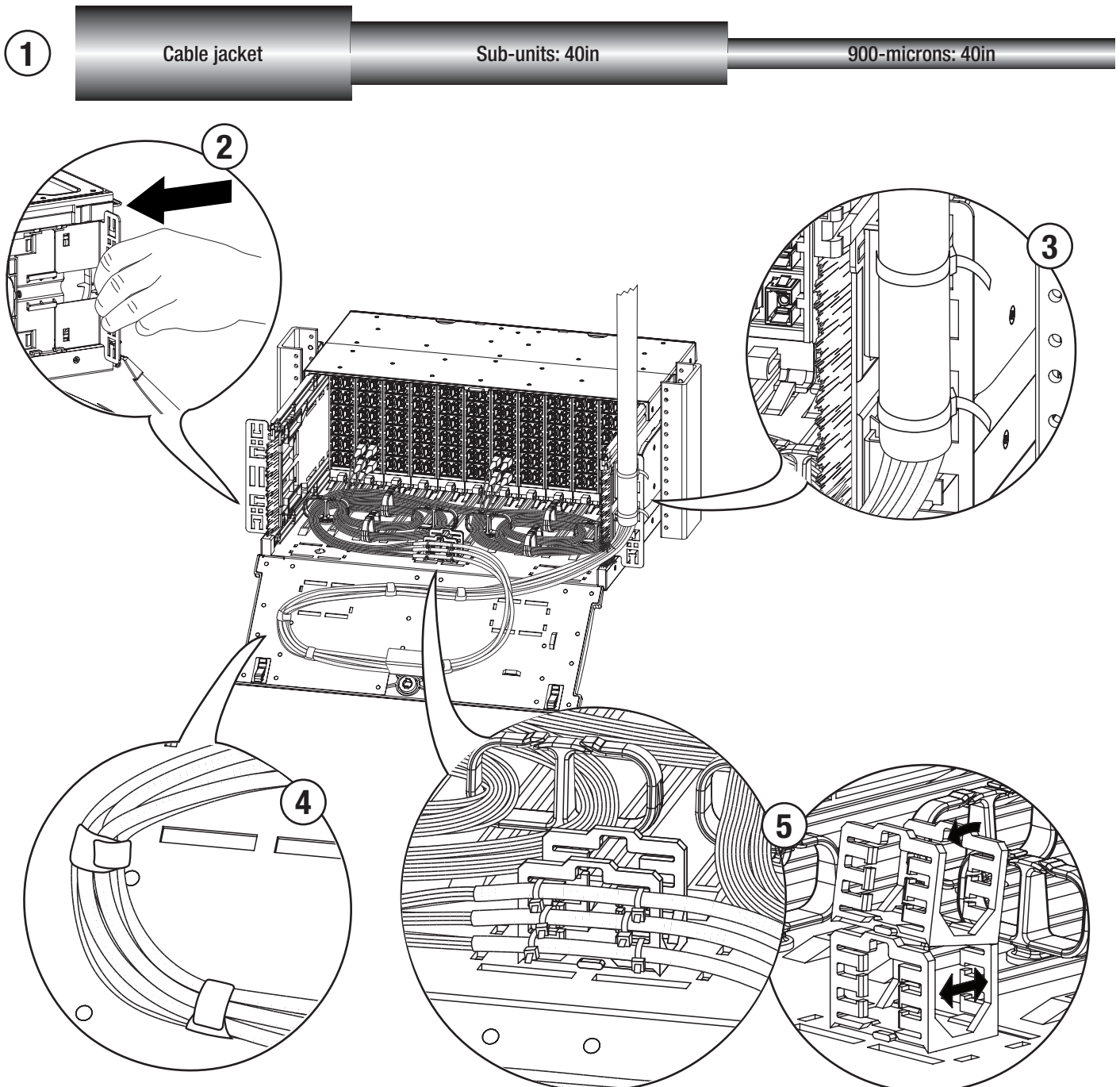
- 1** Remove the installed blank frame by pressing both tabs simultaneously. If the management clip is in the way, remove it by turning it 90 degrees.
- 2** Install the desired frame as shown.



## Installing distribution cable for field termination

**IMPORTANT:** Please take note that this is the recommended procedure. Management clips can also be installed on the removable top cover.

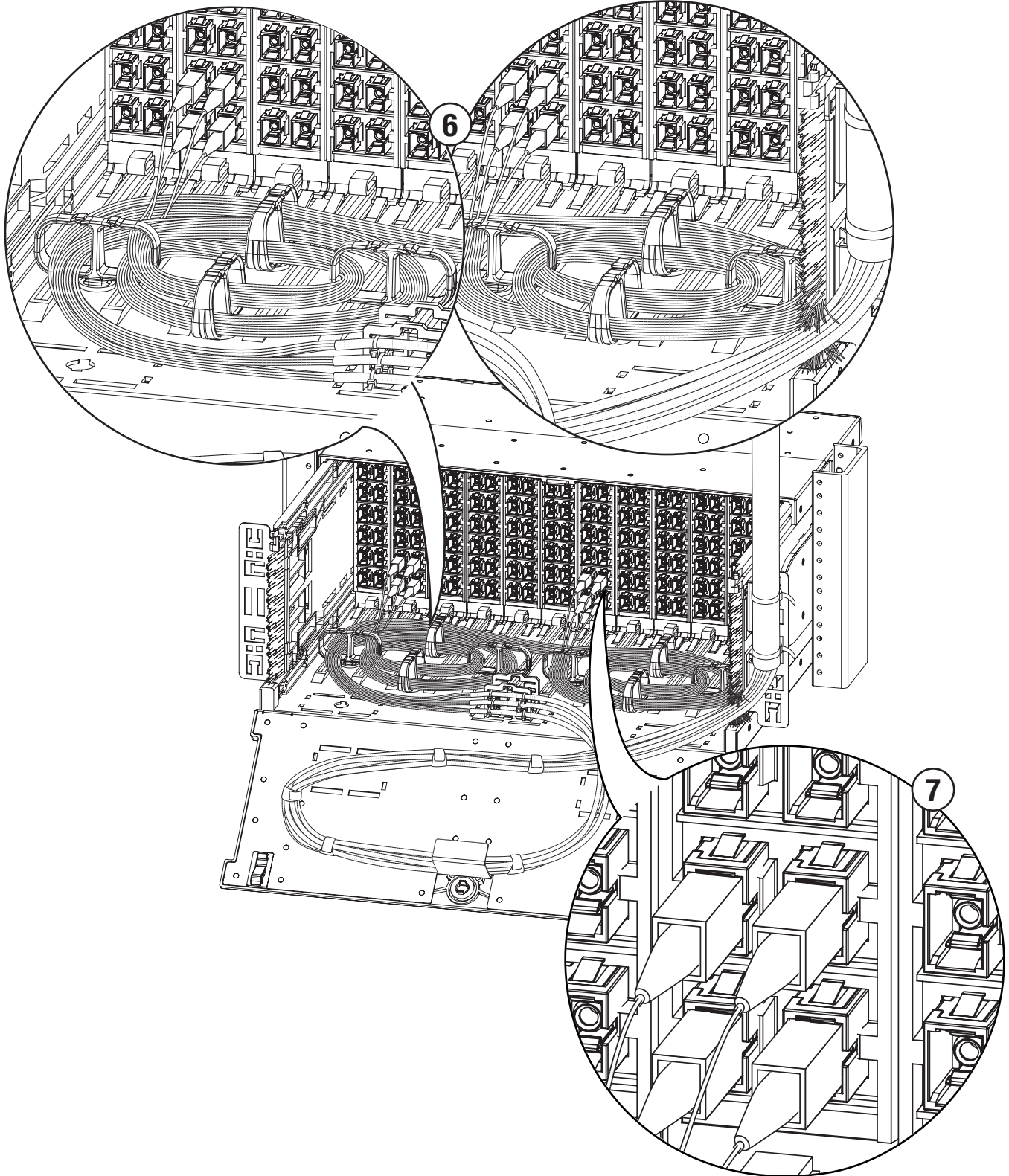
- 1 Prepare the cable in the following manner: leave 40in of sub-unit and another 40in of 900-micron fiber.
- 2 Slide the external strain relief into the appropriate slot.
- 3 Secure the distribution cable to the external strain relief with the provided cable tie (7½in).
- 4 Loop and secure the sub-units to the door using the attachment points and the provided Velcro cable ties.
- 5 Secure the end of the sub-units to the intermediate strain relief by using the provided cable tie (4in).  
Note: intermediate strain relief can be stacked.  
Caution: do not over-tighten the cable tie.





## Installing distribution cable for field termination (continued)

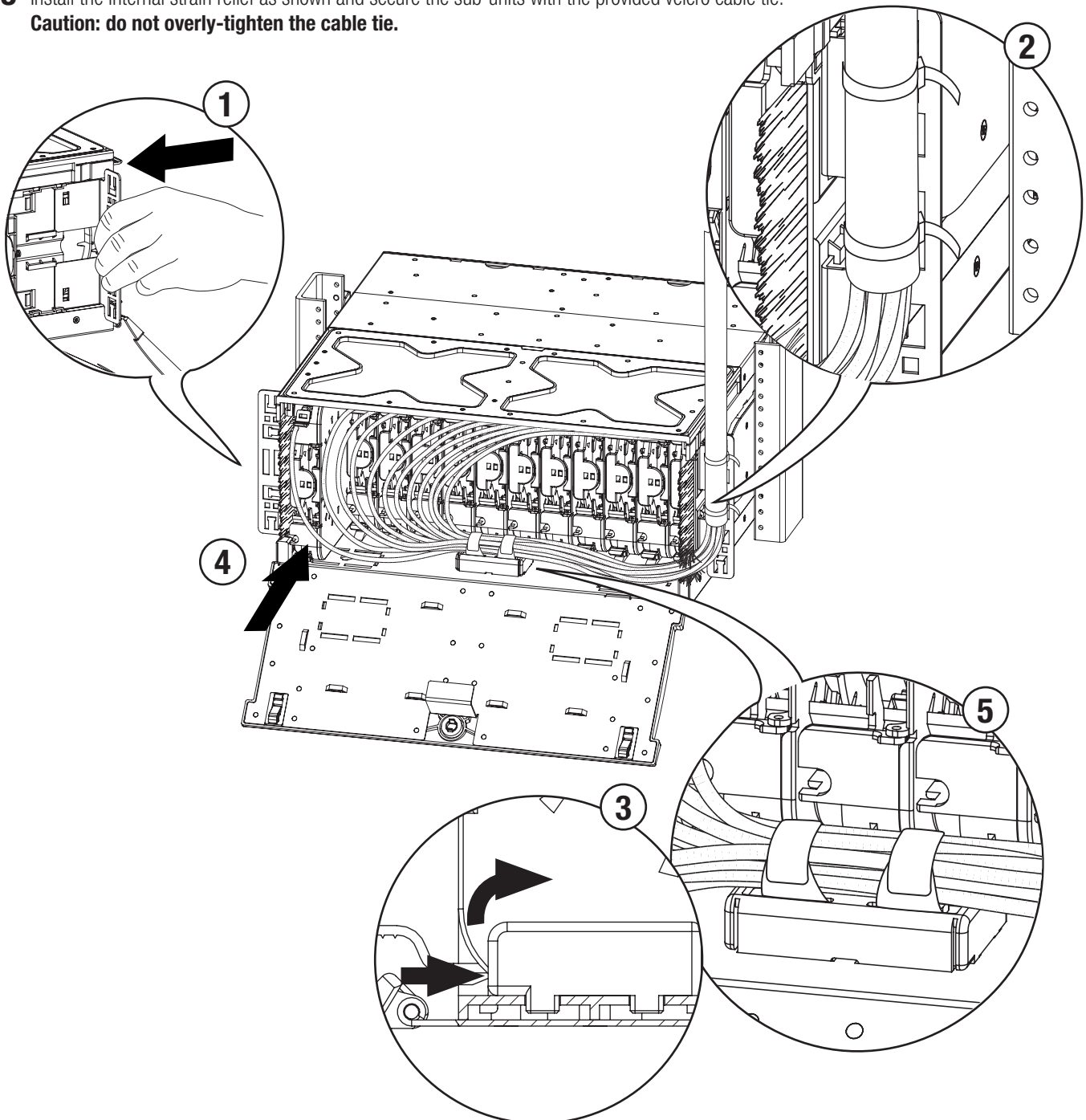
- 6** Route the 900-micron fiber in the housing by utilizing the already installed management clips.
- 7** Install connectors in desired frame.



## Installing distribution cable for splice cassette installation

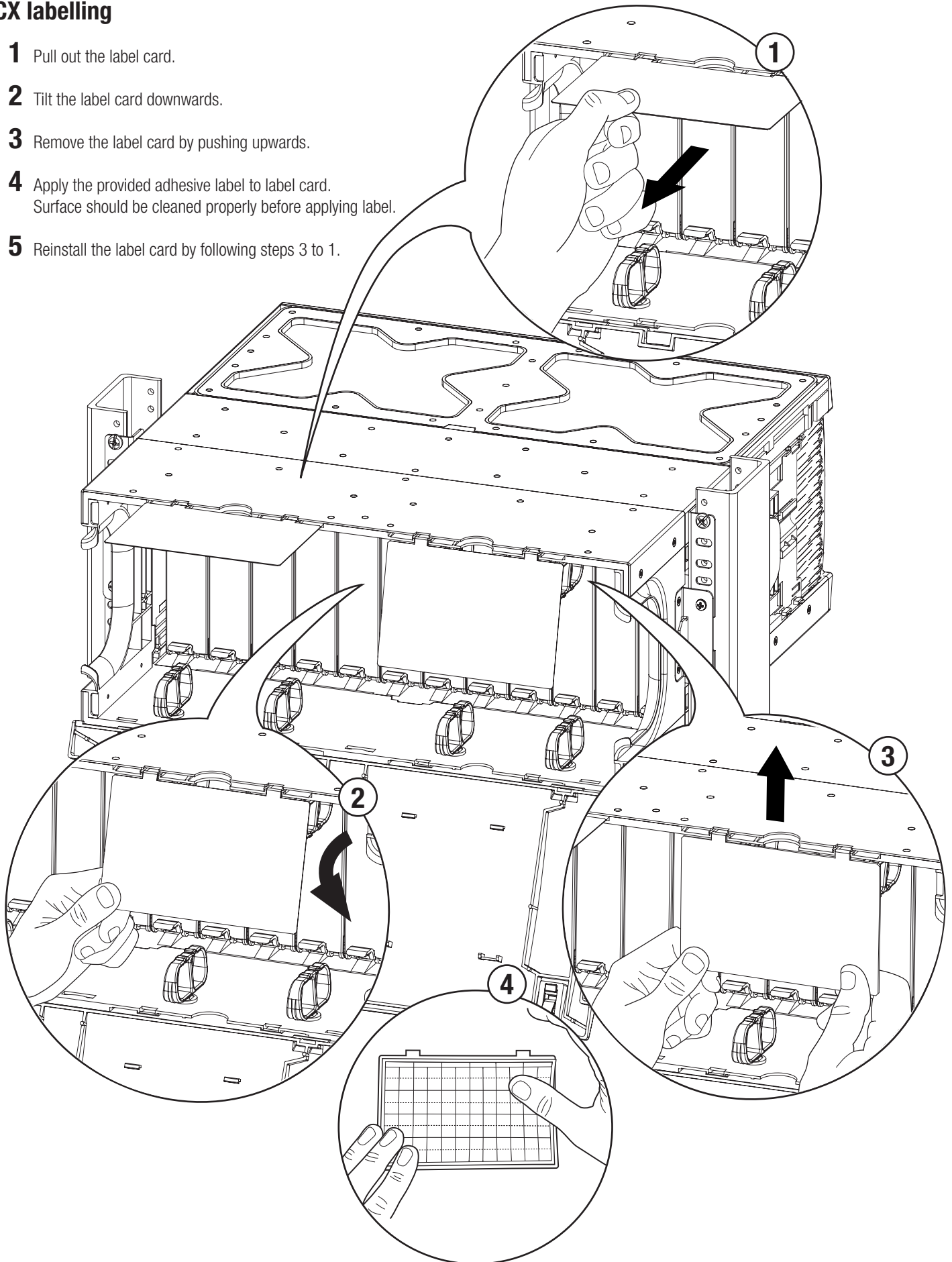
**IMPORTANT:** Please take note that this is the recommended procedure for the cassette installation. This installation guide does not include how to route the fiber inside the cassette. For further information regarding the splice cassette, please read the cassette installation guide or visit our website at [www.belden.com](http://www.belden.com).

- 1 Slide the external strain relief into the appropriate slot.
  - 2 Secure the distribution cable to the external strain relief with the provided cable tie (7½in).
  - 3 In order to install cassettes, the internal strain relief must be removed by pressing on the side and pushing upwards.
  - 4 Slide cassette into desired position.
  - 5 Install the internal strain relief as shown and secure the sub-units with the provided velcro cable tie.
- Caution: do not overly-tighten the cable tie.**



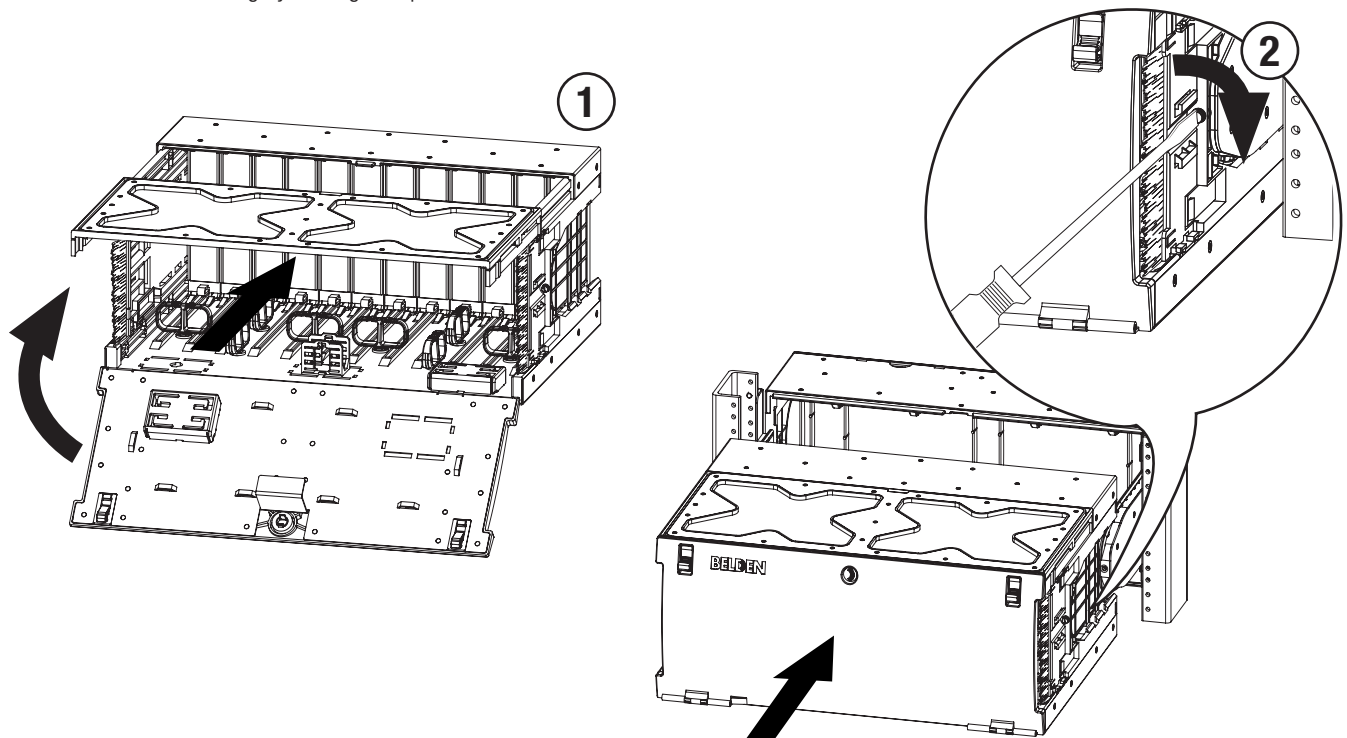
## ECX labelling

- 1** Pull out the label card.
- 2** Tilt the label card downwards.
- 3** Remove the label card by pushing upwards.
- 4** Apply the provided adhesive label to label card.  
Surface should be cleaned properly before applying label.
- 5** Reinstall the label card by following steps 3 to 1.



## Reinstalling the rear housing

- 1 Reinstall the cover (if removed) and close the door.
- 2 Insert the patch panel onto the rack by aligning both rack mounting brackets with the rear housing. Secure the rear housing by locking the quarter-turn fastener on both sides.



## Proposed patch cord management

