

WIREMOLD®

DEQUORUM™ FLIP-UP TABLE BOXES

Hard-Wired & Cord Ended Versions

FLIP-UP YOUR THINKING



Single-Gang version with stainless steel



Dual-Gang version with durable black powder coat finish

deQuorum™ Flip-Up Table Boxes bring ready access to power and communications to work surfaces. Areas that often need power, like counter tops or table tops, are also prone to spills from liquids. Recognizing that accidents often happen, deQuorum Flip-Up Table Boxes have been designed and rated specifically to perform in these areas.

- **Sleek, attractive design** – Slimmer, lower profile integrates well with table surfaces to enhance conference rooms, meeting rooms, hotel rooms, kitchens, and offices.
 - **UL spill water protection** – Exceeds UL1363 standard for relocatable power taps. Eliminates risk of shock or short circuiting due to moisture entering device.
 - **Cord ended or hard-wired with Tamper-resistant receptacles** – Meets 2011 NEC Tamper-Resistant requirements. Receptacles feature our patented shutter system that prevents the insertion of foreign objects for safety.
 - **USB charging capability** – Duplex 3.1A USB receptacles provide charging capacity for a wide range of mobile devices.
 - **Easy open, easy close** – Opens slowly & quietly, without “snapping open.”
 - **Multiple finishes** – Durable black powder coat and brushed stainless steel finishes blend with most decors.
 - **Expanded configuration options** – Accepts full size receptacles which provides expanded custom flexibility. Consult factory for more information.
 - **DQFP Table Boxes:** cULus Listed Relocatable Power Tap: File E66421 Guide XBYS
 - **DQFF Table Boxes:** cULus Listed Multioutlet Assembly: File E15191 Guide PVGT
- Listed to US & Canadian Safety Standards. Meets Article 380 of NEC.

designed to be better.™



deQuorum Flip-Up Table Box Part Number Configurator

D Q F

deQuorum Series:

DQF = deQuorum
Flip-Up

—

Wiring Option:

P = Cord Ended
F = Field Wired

— —

Receptacle Amperage:

15 = 15A
20 = 20A

—

USB:

U = USB Receptacle
2A = Communications

— —

Unit Color:

BK = Black
ST = Stainless

— —

Second Gang:

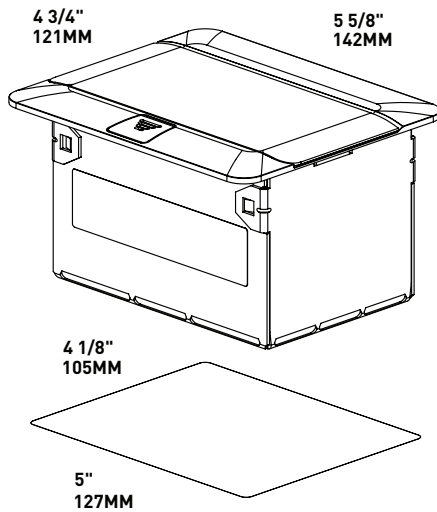
2A = Communications
15 = 15A
20 = 20A
U = USB Receptacle

NOTE: Part Number Configurator can be used both to identify stock product configurations and also to request custom configurations from the factory. Consult the factory for more information.

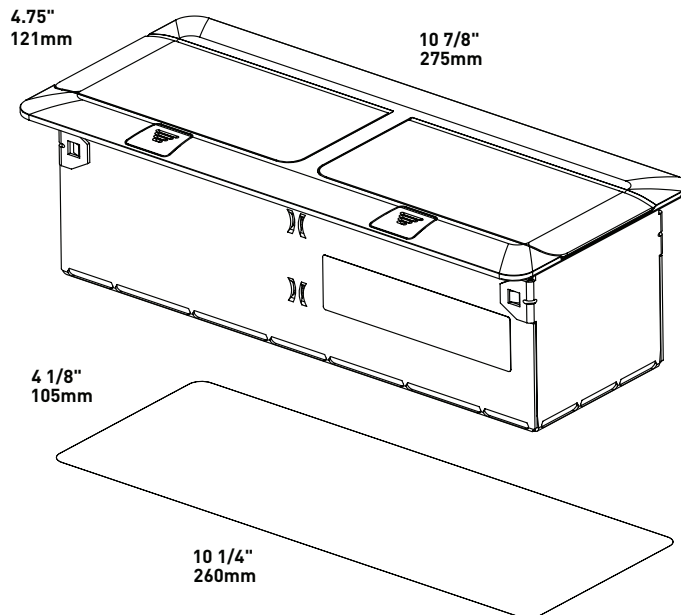
Custom options such as Isolated Grounds, Hospital Grade and Marked Controlled receptacles can be done by request through our Custom Products Group.

Dimensions:

SINGLE-GANG VERSION



DOUBLE-GANG VERSION



©2019 Legrand All Rights Reserved 553222 11/19

designed to be better.™



Electrical Wiring Systems

60 Woodlawn Street
West Hartford, CT 06110
1.877.BY.LEGRAND (295.3472)
www.legrand.us

Canada
1.800.723.5175; 905.738.9195
www.legrand.ca

Costa Rica
+506.298.56.04; +506.239.71.13
www.legrand.cr

FOLLOW US

