



Micro 10-Year Sealed Battery Smoke Alarm

Model i1040

Sealed-In Lithium Battery

Unit will continue to operate for 10 years.
Never change a battery.

Discreet Design

Four inch diameter

LED Indicator

A flashing red indicator light with four modes of operation: Standby, alarm mode, Hush® mode and memory set

Test / Hush® Button

A single button tests alarm circuitry and temporarily silences nuisance alarms



Description

The Kidde i1040 is a 10-year, sealed battery, ionization, smoke alarm with Alarm Memory and Hush® feature. The i1040 alarm will automatically activate when it is attached to the mounting bracket; there are no pull-tabs, no switches, everything is automatic. *When the unit reaches low battery condition (approx 10 years after power up), it will chirp, indicating the alarm is in need of replacement.* The customer can use a simple tool such as a screwdriver to deactivate the unit, stopping the low battery chirp and making it safe for disposal.

The sealed-in board-mounted battery will power the i1040 unit for its complete 10-year life. No replacement battery will ever be needed.

This alarm uses ionization sensing technology. Ionization sensing alarms may detect invisible fire particles (associated with flaming fires) sooner than photoelectric alarms. Photoelectric sensing alarms may detect visible particles (associated with smoldering fires) sooner than ionization alarms.

Leading authorities recommend that both ionization and photoelectric smoke alarms be installed to help ensure maximum detection of the various types of fire that can occur within the home

The Kidde i1040 sealed battery operated smoke alarm features a self-activation mechanism making installation simple and easy. It also has a Hush® feature allowing consumers to temporarily silence nuisance alarms and a low battery alert indicating it is time to replace the alarm.

At the end of the alarm's 10-year life, deactivation of the alarm is just as easy. Using a tool such as a small screwdriver, a deactivation switch removes power from the alarm and renders the battery safe for disposal. The alarm lockout feature mechanically prevents a deactivated unit from being mounted back on the mounting bracket.

Features and Benefits

- **Sealed-In Lithium Battery** – Sealed-in lithium power supply; no battery replacement required over the 10 year life of the alarm. Eliminates worry about battery removal or unauthorized deactivation of alarm.
- **Self Activation** – Alarm automatically activates when attached to the mounting bracket.
- **Alarm Memory** – Rapidly flashing LED alerts user if the alarm has sounded since the last time the test/reset button was used.
- **Hush® Feature** – Will temporarily silence nuisance alarms and will not allow Hush® mode to be activated unless the unit is in alarm mode.
- **Test/Hush® Button** – Tests unit's circuit operation and resets memory after an alarm condition occurs.
- **LED** – A flashing red indicator light with four modes of operation: standby, alarm mode, Hush® mode, and memory set.



Architectural and Engineering Specifications

The smoke alarm shall be Kidde unit i1040 or approved equal. It shall be powered by a non-replaceable lithium battery with a 10-year life. The lithium battery shall be sealed in the unit to prevent removal and/or tampering. The unit shall incorporate an ionization sensor with nominal sensitivity of 1.79% +/- 0.35%/ ft. OBS. The temperature operating range shall be between 40°F and 100°F (4°C and 38°C) and the humidity operating range shall be 0% - 95% relative humidity, non-condensing.

The smoke alarm can be installed on the surface of any wall or ceiling following the UL/Manufacturer's approved placement guidelines. The alarm shall incorporate an automatic activation feature that will activate the unit as soon as it is attached to the mounting bracket, no other steps are involved.

The alarm shall include a test button that will simulate a fire condition and cause the unit to go into alarm. This sequence tests the unit's electronics to ensure proper operation.

The unit shall include a piezoelectric horn that is rated at 85 decibels at 10 feet. The unit shall include the Hush® feature that silences the unit for up to 8 minutes if a nuisance condition occurs. The red LED will flash for 1 second every 8 seconds and will automatically reset itself. If the alarm is in the Hush® mode and the condition that triggered the alarm persists, the alarm shall sound again to signal potential danger despite its presence in Hush® mode. The unit shall incorporate one red LED to indicate the alarm's current status and mode of operation. The LED will indicate one of four modes:

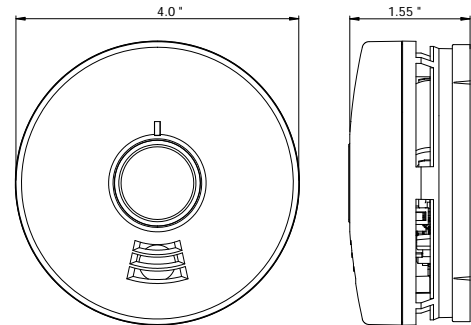
- Standby Mode:** LED will flash every 40-45 seconds to indicate the unit is operating correctly
- Alarm Mode:** LED will flash every 1.5 seconds to indicate the unit is alarming and will be accompanied by the horn sounding
- Hush® Mode:** LED will flash for 1 second every 8 seconds to indicate the unit is temporarily silenced
- Memory Set Mode:** If Alarm Memory has been set, the LED will flash rapidly when the test button is pressed.

The unit will chirp once every 40-45 seconds to notify the user the alarm needs to be replaced. The unit shall have a deactivation switch

to disable it and make it safe for disposal. The unit shall at a minimum meet the requirements of UL217, NFPA72, The State of California Fire Marshall, NFPA101 (One and two family dwellings) Federal Housing Authority (FHA), Housing and Urban Development (HUD).

Technical Specifications

Model:	i1040
UPC Number:	0-47871-27488-8
Power Source:	One, 3V Lithium battery
Sensor:	Ionization
Audio Alarm:	85dB at 10ft
Temperature Range:	40°F (4.4°C) to 100°F (37.8°C)
Humidity Range:	0%-95% relative humidity (RH), non-condensing
Size:	4" in diameter x 1.55" depth
Weight:	.33 lb.
Interconnects:	No
LED:	Four modes of operation
Warranty:	10 year limited



Ordering Information

Individual UPC: 0-47871-27488-8

Part Number	I 2 of 5	Pack Config	Pack Qty	Dimensions (w x d x h inches)	Case/Weight	Cartons/Pallet
21027488	100-47871-27488-5	Box	6	4.5 x 15.25 x 4.5	8.04 lb	200 lb



1016 Corporate Park Drive
Mebane NC 27302
1-800-880-6788
www.kidde.com

Distributed by: