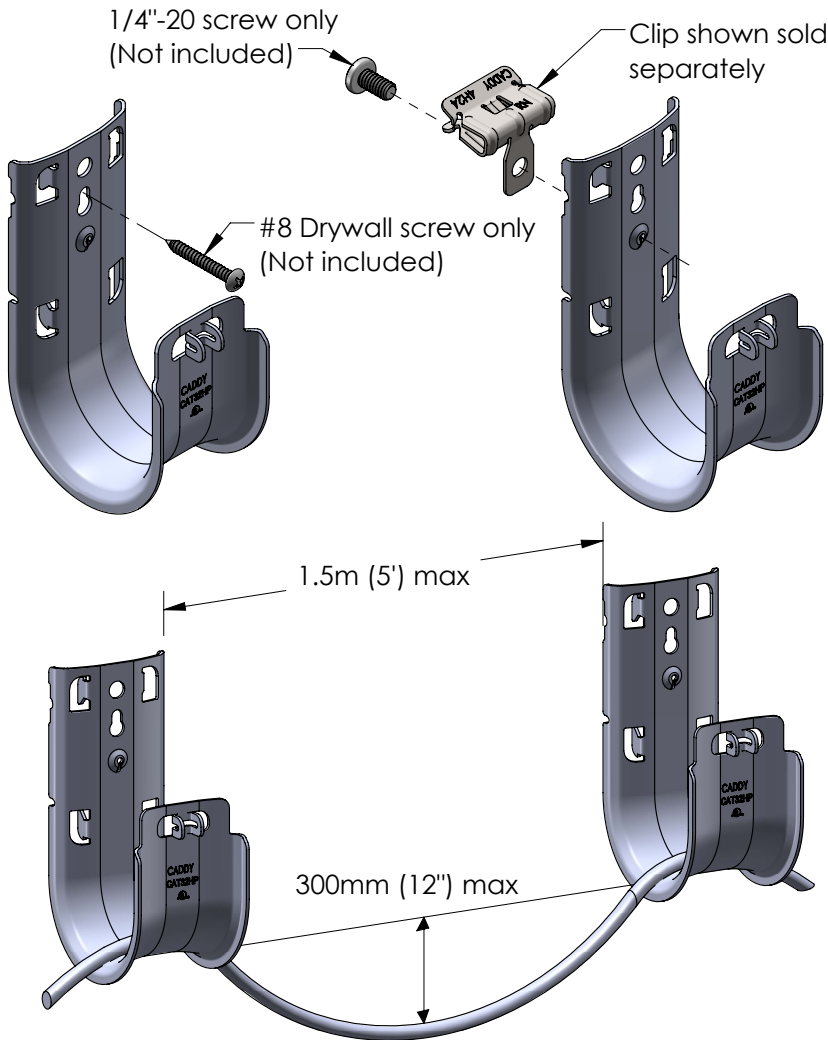


High Performance nVent CADDY CAT HP J-Hook System



J-Hook color code: CATXXHPXX

J-Hook size = (16)
(21)
(32)
(48)
(64)

J-Hook color (Optional)
Blank = EG Finish
(BA) = Black, (BU) = Blue
(GR) = Green, (RD) = Red
(WH) = White, (YL) = Yellow
(OR) = Orange

Part Number	Article Number	Description
CAT16HP	181061	1" [25.4mm] J-Hook
CAT16HPBA	181255	
CAT16HPBU	181252	
CAT16HPGR	181256	
CAT16HPRD	181251	
CAT16HPWH	181253	
CAT16HPYL	181254	
CAT16HPOR	181257	1-5/16" [33.4mm] J-Hook
CAT21HP	181188	
CAT21HPBA	181185	
CAT21HPBU	181152	
CAT21HPGR	181156	
CAT21HPRD	181181	
CAT21HPWH	181183	
CAT21HPYL	181184	2" [50.8mm] J-Hook
CAT21HPOR	181187	
CAT32HP	181062	
CAT32HPBA	181115	
CAT32HPBU	181112	
CAT32HPGR	181116	
CAT32HPRD	181111	
CAT32HPWH	181113	3" [37.2mm] J-Hook
CAT32HPYL	181114	
CAT32HPOR	181117	
CAT48HP	181063	
CAT48HPBA	181125	
CAT48HPBU	181122	
CAT48HPGR	181126	
CAT48HPRD	181121	4" [101.6mm] J-Hook
CAT48HPWH	181123	
CAT48HPYL	181124	
CAT48HPOR	181127	
CAT64HP	181064	
CAT64HPBA	181135	
CAT64HPBU	181132	
CAT64HPGR	181136	
CAT64HPRD	181131	
CAT64HPWH	181133	
CAT64HPYL	181134	
CAT64HPOR	181137	

Working load for all sizes
(3:1 safety factor): 60lbs [276N]

WARNING:

- nVent products shall be installed and used only as indicated in nVent product instruction sheets and training materials. Instruction sheets are available at www.nVent.com and from your nVent customer service representative.
- nVent products must never be used for a purpose other than the purpose for which they were designed or in a manner that exceeds specified load ratings.
- All instructions must be completely followed to ensure proper and safe installation and performance.
- Improper installation, misuse, misapplication or other failure to completely follow nVent's instructions and warnings may cause product malfunction, property damage, serious bodily injury and/or death, and void your warranty.
- Products that are manufactured using spring steel components shall be used only in a non-corrosive indoor environment.
- All pipe supports, hangers, intermediate components and structural attachments must ONLY be used as described herein and are NEVER to be used for any other purpose.

NOTE: All load ratings are for static conditions and do not account for dynamic loading such as wind, water or seismic loads, unless otherwise noted.

The customer is responsible for:

- Conformance to all governing codes.
- The integrity of structures to which the products are attached, including their capability of safely accepting the loads imposed, as evaluated by a qualified engineer.
- Using appropriate industry standard hardware as noted above.

SAFETY INSTRUCTIONS:

All governing codes and regulations and those required by the job site must be observed. Always use appropriate safety equipment such as eye protection, hard hat, and gloves as appropriate to the application.

nVent, nVent CADDY, nVent ERICO Cadweld, nVent ERICO Critec, nVent ERICO, nVent ERIFLEX, and nVent LENTON are owned by nVent or its global affiliates. All other trademarks are the property of their respective owners. nVent reserves the right to change specifications without prior notice.

TECHNICAL SUPPORT:
www.nVent.com

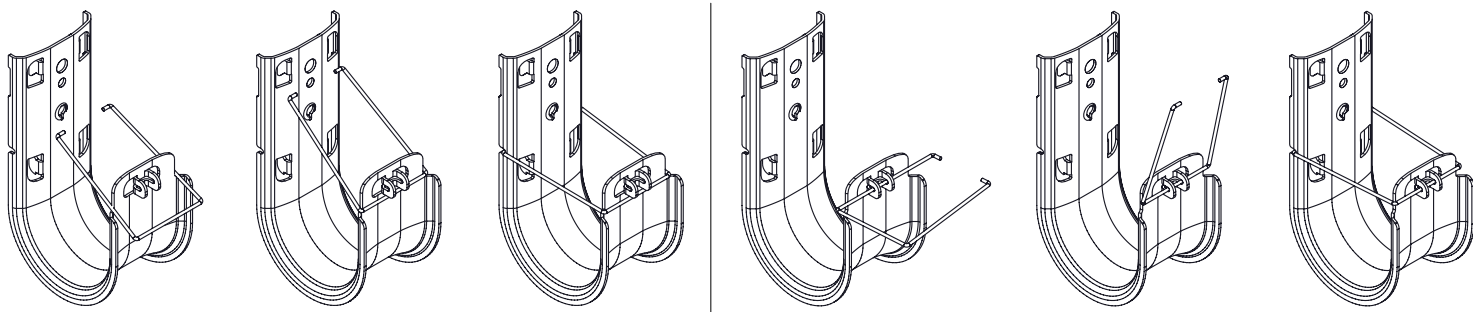
CFS376_H

1 OF 2

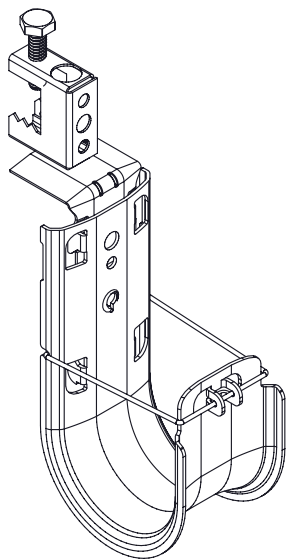
Downloaded by: - 2023-09-28 10:37 © 2007-2018 nVent All Rights Reserved



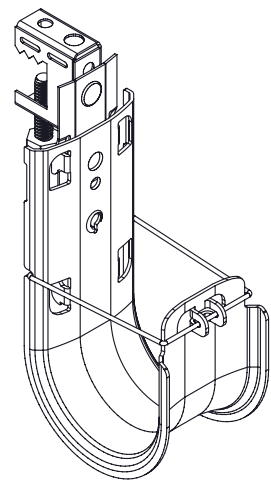
Retainer installation



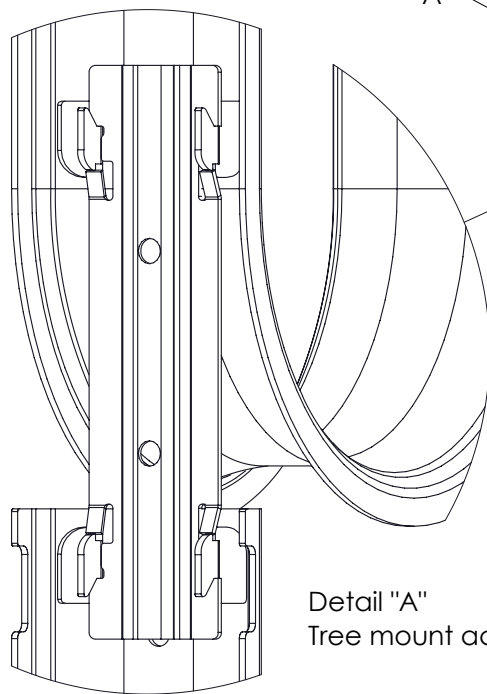
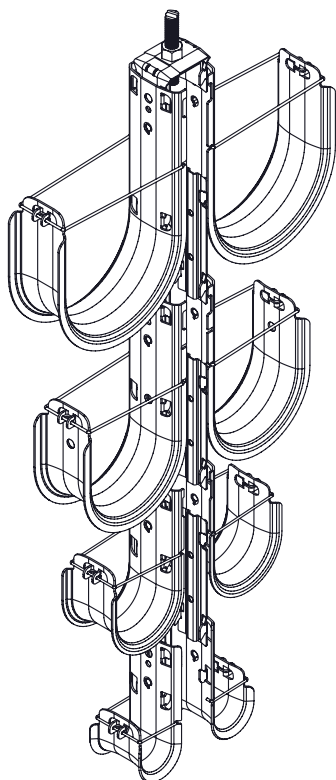
Bracket accessories available:



Angle bracket accessory



Straight bracket accessory



Detail "A"
Tree mount accessory

