

Easy UPS 3S

Maintenance Bypass Panels

Installation

For 10-40 kVA 208 V UPS

E3SBPSU10K20F, E3SBPSU30K40F

12/2020



Legal Information

The Schneider Electric brand and any trademarks of Schneider Electric SE and its subsidiaries referred to in this guide are the property of Schneider Electric SE or its subsidiaries. All other brands may be trademarks of their respective owners.

This guide and its content are protected under applicable copyright laws and furnished for informational use only. No part of this guide may be reproduced or transmitted in any form or by any means (electronic, mechanical, photocopying, recording, or otherwise), for any purpose, without the prior written permission of Schneider Electric.

Schneider Electric does not grant any right or license for commercial use of the guide or its content, except for a non-exclusive and personal license to consult it on an "as is" basis. Schneider Electric products and equipment should be installed, operated, serviced, and maintained only by qualified personnel.

As standards, specifications, and designs change from time to time, information contained in this guide may be subject to change without notice.

To the extent permitted by applicable law, no responsibility or liability is assumed by Schneider Electric and its subsidiaries for any errors or omissions in the informational content of this material or consequences arising out of or resulting from the use of the information contained herein.



Go to https://www.productinfo.schneider-electric.com/easyups3s_ul/ for translations.
Rendez-vous sur https://www.productinfo.schneider-electric.com/easyups3s_ul/ pour accéder aux traductions.

Vaya a https://www.productinfo.schneider-electric.com/easyups3s_ul/ para obtener las traducciones.

Vá para https://www.productinfo.schneider-electric.com/easyups3s_ul/ para obter as traduções.

Table of Contents

Important Safety Instructions — SAVE THESE	
INSTRUCTIONS	5
FCC Statement	6
Safety Precautions	6
Electrical Safety.....	7
Specifications	9
Torque Specifications.....	10
Maintenance Bypass Panel Weights and Dimensions.....	10
Clearance	10
Environment.....	11
Installation Procedure	12
Mount the Maintenance Bypass Panel to the Wall	12
Prepare the Maintenance Bypass Panel for Cables	14
Connect the Power Cables.....	15
Connect the Signal Cables	16
Install the Kirkkey kit E3SOPT015 in E3SBPSU10K20F	18
Install the Kirkkey kit E3SOPT015 in E3SBPSU30K40F	18

Important Safety Instructions — SAVE THESE INSTRUCTIONS

Read these instructions carefully and look at the equipment to become familiar with it before trying to install, operate, service or maintain it. The following safety messages may appear throughout this manual or on the equipment to warn of potential hazards or to call attention to information that clarifies or simplifies a procedure.



The addition of this symbol to a “Danger” or “Warning” safety message indicates that an electrical hazard exists which will result in personal injury if the instructions are not followed.



This is the safety alert symbol. It is used to alert you to potential personal injury hazards. Obey all safety messages with this symbol to avoid possible injury or death.

DANGER

DANGER indicates a hazardous situation which, if not avoided, **will result in death or serious injury.**

Failure to follow these instructions will result in death or serious injury.

WARNING

WARNING indicates a hazardous situation which, if not avoided, **could result in death or serious injury.**

Failure to follow these instructions can result in death, serious injury, or equipment damage.

CAUTION

CAUTION indicates a hazardous situation which, if not avoided, **could result in minor or moderate injury.**

Failure to follow these instructions can result in injury or equipment damage.

NOTICE

NOTICE is used to address practices not related to physical injury. The safety alert symbol shall not be used with this type of safety message.

Failure to follow these instructions can result in equipment damage.

Please Note

Electrical equipment should only be installed, operated, serviced, and maintained by qualified personnel. No responsibility is assumed by Schneider Electric for any consequences arising out of the use of this material.

A qualified person is one who has skills and knowledge related to the construction, installation, and operation of electrical equipment and has received safety training to recognize and avoid the hazards involved.

FCC Statement

NOTE: This equipment has been tested and found to comply with the limits for a Class A digital device, pursuant to Part 15 of the FCC Rules. These limits are designed to provide reasonable protection against harmful interference when the equipment is operated in a commercial environment. This equipment generates, uses, and can radiate radio frequency energy and, if not installed and used in accordance with the instruction manual, may cause harmful interference to radio communications. Operation of this equipment in a residential area is likely to cause harmful interference in which case the user will be required to correct the interference at his own expense.

Any changes or modifications not expressly approved by the party responsible for compliance could void the user's authority to operate the equipment.

Safety Precautions

DANGER

HAZARD OF ELECTRIC SHOCK, EXPLOSION, OR ARC FLASH

Read all instructions in the installation manual before installing or working on this product.

Failure to follow these instructions will result in death or serious injury.

DANGER

HAZARD OF ELECTRIC SHOCK, EXPLOSION, OR ARC FLASH

Do not install the product until all construction work has been completed and the installation room has been cleaned.

Failure to follow these instructions will result in death or serious injury.

DANGER

HAZARD OF ELECTRIC SHOCK, EXPLOSION, OR ARC FLASH

The product must be installed according to the specifications and requirements as defined by Schneider Electric. It concerns in particular the external and internal protections (upstream breakers, battery breakers, cabling, etc.) and environmental requirements. No responsibility is assumed by Schneider Electric if these requirements are not respected.

Failure to follow these instructions will result in death or serious injury.

DANGER

HAZARD OF ELECTRIC SHOCK, EXPLOSION, OR ARC FLASH

The UPS system must be installed according to local and national regulations. Install the UPS according to:

- IEC 60364 (including 60364-4-41- protection against electric shock, 60364-4-42 - protection against thermal effect, and 60364-4-43 - protection against overcurrent), **or**
- NEC NFPA 70, **or**
- Canadian Electrical Code (C22.1, Part 1)

depending on which one of the standards apply in your local area.

Failure to follow these instructions will result in death or serious injury.

⚠️⚠️ DANGER

HAZARD OF ELECTRIC SHOCK, EXPLOSION, OR ARC FLASH

- Install the product in a temperature controlled indoor environment free of conductive contaminants and humidity.
- Install the product on a non-flammable, level and solid surface (e.g. concrete) that can support the weight of the system.

Failure to follow these instructions will result in death or serious injury.

⚠️⚠️ DANGER

HAZARD OF ELECTRIC SHOCK, EXPLOSION, OR ARC FLASH

The product is not designed for and must therefore not be installed in the following unusual operating environments:

- Damaging fumes
- Explosive mixtures of dust or gases, corrosive gases, or conductive or radiant heat from other sources
- Moisture, abrasive dust, steam or in an excessively damp environment
- Fungus, insects, vermin
- Salt-laden air or contaminated cooling refrigerant
- Pollution degree higher than 2 according to IEC 60664-1
- Exposure to abnormal vibrations, shocks, and tilting
- Exposure to direct sunlight, heat sources, or strong electromagnetic fields

Failure to follow these instructions will result in death or serious injury.

⚠️⚠️ DANGER

HAZARD OF ELECTRIC SHOCK, EXPLOSION, OR ARC FLASH

Do not drill or cut holes for cables or conduits with the gland plates installed and do not drill or cut holes in close proximity to the UPS.

Failure to follow these instructions will result in death or serious injury.

⚠️⚠️ WARNING

HAZARD OF ARC FLASH

Do not make mechanical changes to the product (including removal of cabinet parts or drilling/cutting of holes) that are not described in the installation manual.

Failure to follow these instructions can result in death, serious injury, or equipment damage.

NOTICE

RISK OF OVERHEATING

Respect the space requirements around the product and do not cover the ventilation openings when the product is in operation.

Failure to follow these instructions can result in equipment damage.

Electrical Safety

This manual contains important safety instructions that should be followed during the installation and maintenance of the UPS system.

⚡⚠ DANGER**HAZARD OF ELECTRIC SHOCK, EXPLOSION, OR ARC FLASH**

- Electrical equipment must be installed, operated, serviced, and maintained only by qualified personnel.
- Apply appropriate personal protective equipment (PPE) and follow safe electrical work practices.
- Disconnection devices for AC and DC must be provided by others, be readily accessible, and the function of the disconnect device marked for its function.
- Turn off all power supplying the UPS system before working on or inside the equipment.
- Before working on the UPS system, check for hazardous voltage between all terminals including the protective earth.
- The UPS contains an internal energy source. Hazardous voltage can be present even when disconnected from the mains supply. Before installing or servicing the UPS system, ensure that the units are OFF and that mains and batteries are disconnected. Wait five minutes before opening the UPS to allow the capacitors to discharge.
- The UPS must be properly earthed/grounded and due to a high leakage current, the earthing/grounding conductor must be connected first.

Failure to follow these instructions will result in death or serious injury.

When the UPS input is connected through external isolators that, when opened, isolate the neutral or when the automatic backfeed isolation is provided external to the equipment or is connected to an IT power distribution system, a label must be fitted at the UPS input terminals, and on all primary power isolators installed remotely from the UPS area and on external access points between such isolators and the UPS, by the user, displaying the following text (or equivalent in a language which is acceptable in the country in which the UPS system is installed):

⚡⚠ DANGER**HAZARD OF ELECTRIC SHOCK, EXPLOSION, OR ARC FLASH**

Risk of voltage backfeed. Before working on this circuit: Isolate the UPS and check for hazardous voltage between all terminals including the protective earth.

Failure to follow these instructions will result in death or serious injury.

Specifications

Maximum Input Short-Circuit Withstand

The maximum input short-circuit withstand for the maintenance bypass panel is 10 kA RMS symmetrical.

Trip Settings for E3SBPSU10K20F

UPS rating	UIB/SSIB			MBB and UOB		
	Breaker	I _r	I _m	Breaker	I _r	I _m
10 kVA	BGF36100	100 A fixed	1000 A fixed	BGF46125	125 A fixed	1000 A fixed
15 kVA	BGF36100	100 A fixed	1000 A fixed	BGF46125	125 A fixed	1000 A fixed
20 kVA	BGF36100	100 A fixed	1000 A fixed	BGF46125	125 A fixed	1000 A fixed

Trip Settings for E3SBPSU30K40F

UPS rating	UIB/SSIB				MBB and UOB				
	Breaker	I _r	I _m (I _i)	Tr	Breaker	I _r	I _m (I _i)	Tr	N
30 kVA	HGF36150C	150 A fixed	1250 A	–	LJF46250CU31X	100 A	1.5-12	0.5-16	4P 3D
40 kVA	HGF36150C	150 A fixed	1250 A	–	LJF46250CU31X	150 A	1.5-12	0.5-16	4P 3D

Recommended Upstream Protection

UPS rating	Connection	Breaker	I _m
10 kVA	Input	BDF36045	400 A fixed
	Bypass	BDF36035	400 A fixed
15 kVA	Input	BGF36070	640 A fixed
	Bypass	BGF36060	640 A fixed
20 kVA	Input	BGF36090	1000 A fixed
	Bypass	BGF36070	640 A fixed
30 kVA	Input	HGF36110C	1250 A
	Bypass	HGF36090C	1250 A
40 kVA	Input	HJF36150C	1250 A
	Bypass	HJF36125C	1250 A

Recommended Cable Sizes and Cable Lugs

NOTE: Please refer to the UPS installation manual for recommended cables sizes and recommended cable lugs.

Torque Specifications

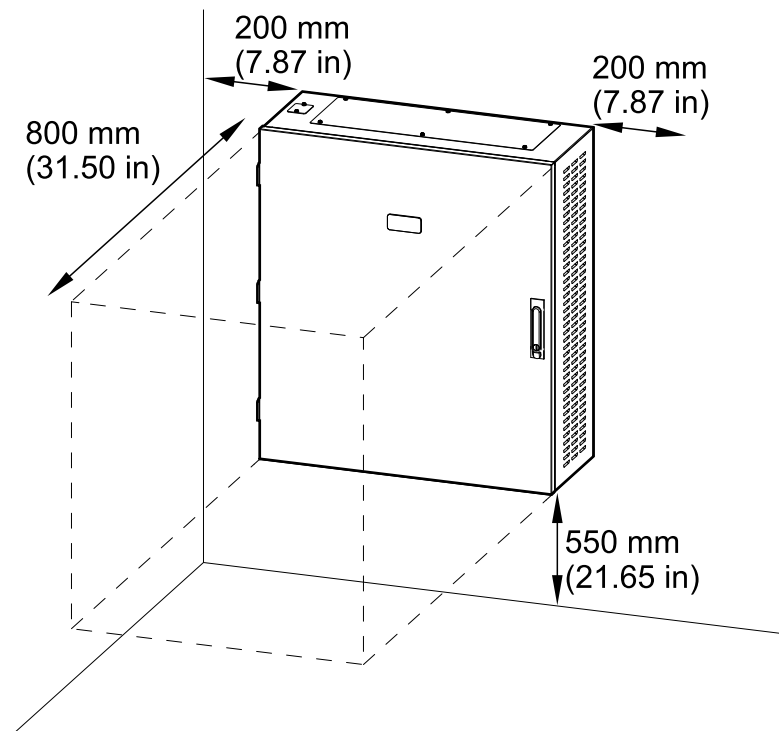
Bolt size	Torque
M6 on busbar	5 Nm (3.69 lb-ft / 44.3 lb-in)
M8 on busbar	17.5 Nm (12.91 lb-ft / 154.9 lb-in)
M10 on busbar	30 Nm (22 lb-ft / 194.7 lb-in)
5/32 in on breaker	9 Nm (6.64 lb-ft / 79.7 lb-in)
M10 on breaker	50 Nm (36.88 lb-ft/ 442.5 lb-in)

Maintenance Bypass Panel Weights and Dimensions

	Weight kg (lbs)	Height mm (in)	Width mm (in)	Depth mm (in)
E3SBPSU10K20F	30 (66)	600 (23.62)	550 (21.65)	260 (10.24)
E3SBPSU30K40F	65 (143)	900 (35.43)	800 (31.50)	320 (12.60)

Clearance

NOTE: Clearance dimensions are published for airflow and service access only. Consult with the local safety codes and standards for additional requirements in your local area.

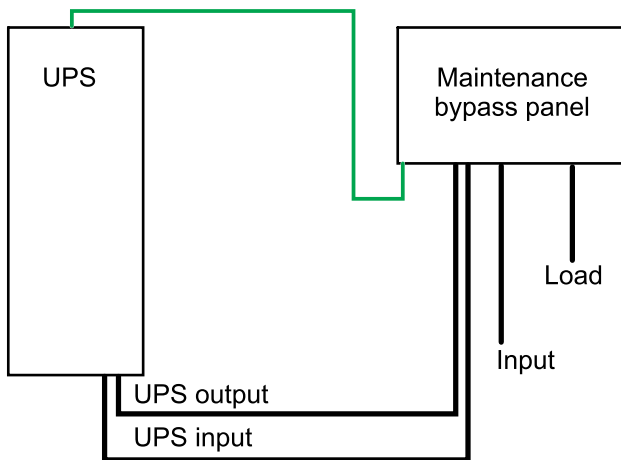


Environment

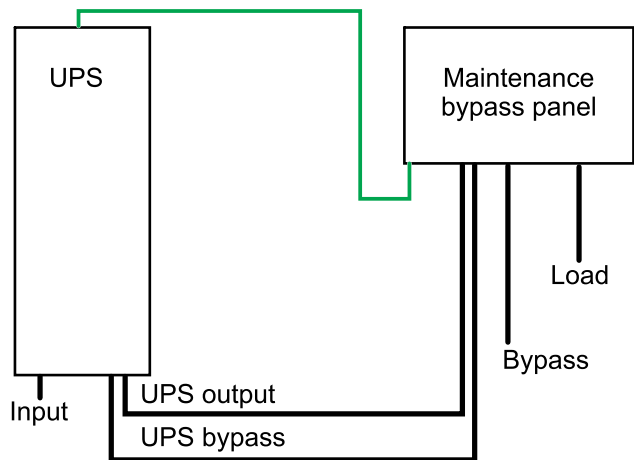
	Operating	Storage
Temperature	0 °C to 40 °C (32 °F to 104 °F)	-25 °C to 55 °C (-13 °F to 131 °F)
Relative humidity	0-95% non-condensing	0-95% non-condensing
Elevation	0-2000 m (0-6561 feet)	
Protection class	IP20	
Color	RAL 9003, gloss level 85%	

Installation Procedure

Single Mains System



Dual Mains System



— Signal cable
— Power cable

1. Mount the Maintenance Bypass Panel to the Wall, page 12.
2. Prepare the Maintenance Bypass Panel for Cables, page 14.
3. Connect the Power Cables, page 15.
4. Connect the Signal Cables, page 16.
5. Optional: Install the Kirkkey kit E3SOPT015:
 - Install the Kirkkey kit E3SOPT015 in E3SBPSU10K20F, page 18.
 - Install the Kirkkey kit E3SOPT015 in E3SBPSU30K40F, page 18.

Mount the Maintenance Bypass Panel to the Wall

⚠ CAUTION

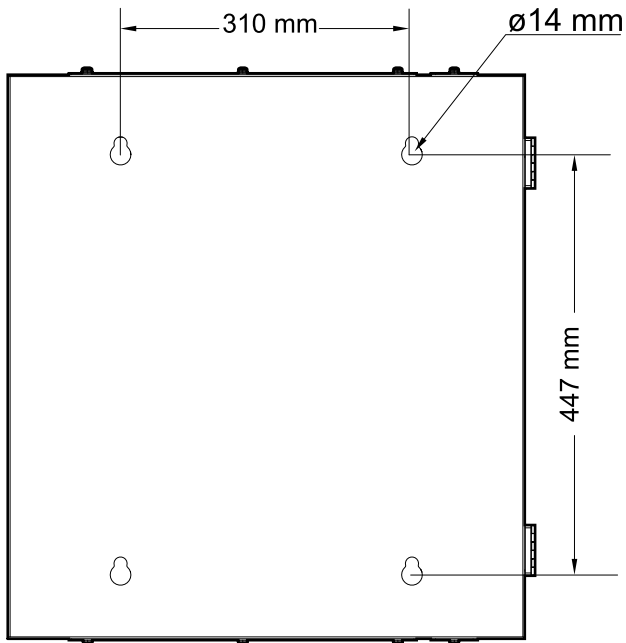
RISK OF INJURY OR EQUIPMENT DAMAGE

- Mount the maintenance bypass panel to a wall or a rack that is structurally sound and able to support the weight of the unit.
- Use appropriate hardware for the wall/rack type.

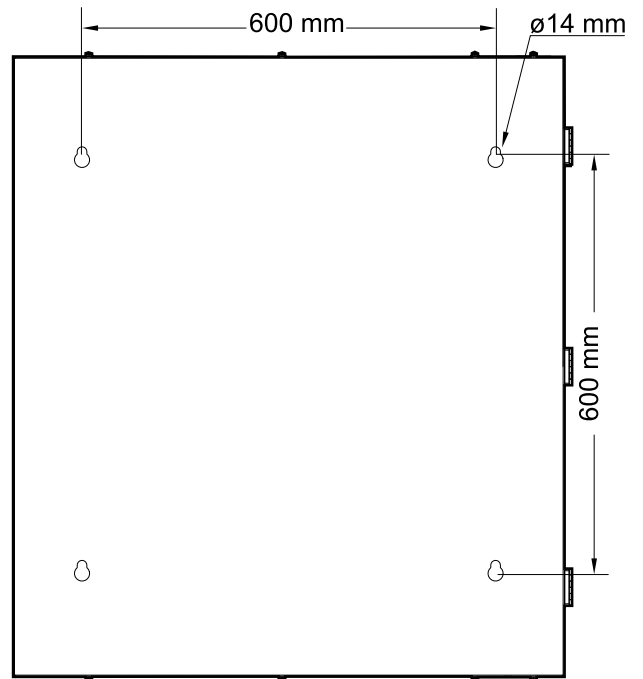
Failure to follow these instructions can result in injury or equipment damage.

1. Measure and mark the four mounting hole locations on the wall.

E3SBPSU10K20F

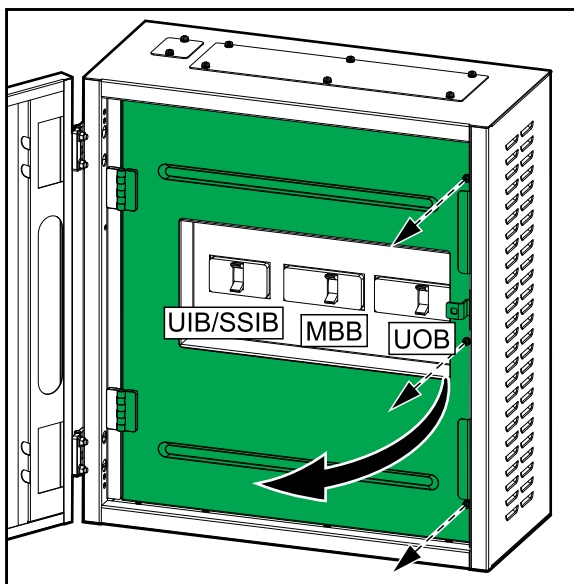


E3SBPSU30K40F

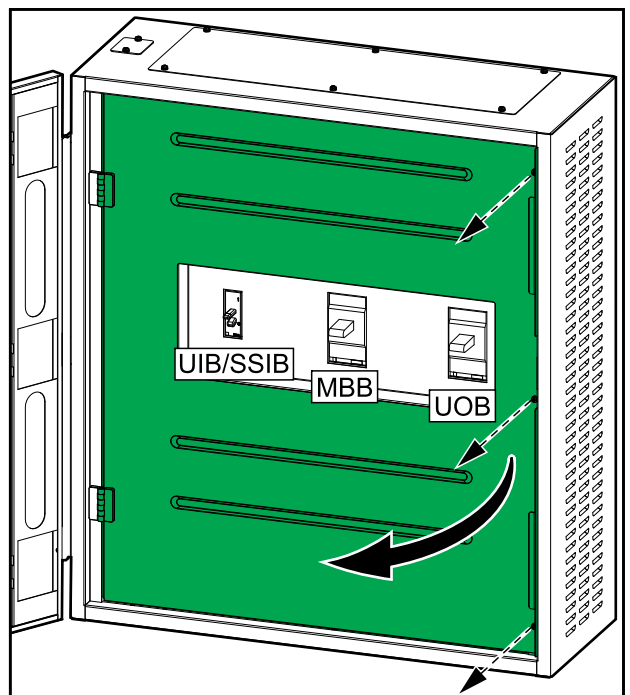


2. Drill holes in each of the four marked locations and mount the anchor bolts.
3. Remove the screws and open the inner door in the maintenance bypass panel.

E3SBPSU10K20F



E3SBPSU30K40F



4. Lift the maintenance bypass panel, position it against the wall and line it up with the four anchor bolts. Mount the maintenance bypass panel to the wall.

Prepare the Maintenance Bypass Panel for Cables

⚠ DANGER

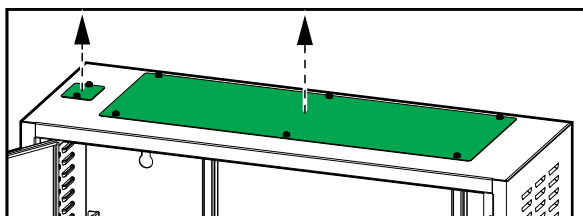
HAZARD OF ELECTRIC SHOCK, EXPLOSION, OR ARC FLASH

Do not drill or punch holes with the gland plates installed and do not drill or punch holes in close proximity to the parallel maintenance bypass panel.

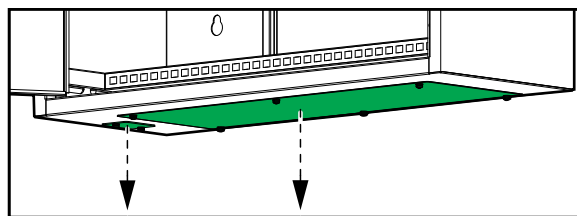
Failure to follow these instructions will result in death or serious injury.

1. Prepare the maintenance bypass panel for power and signal cables:
 - a. Loosen the six bolts from the top **AND** bottom gland plates for power cables and remove the gland plates.
 - b. Loosen the two bolts from the top **OR** bottom gland plate for signal cables and remove the gland plate.

Top of Maintenance Bypass Panel



Bottom of Maintenance Bypass Panel



2. Drill or punch holes for cables/conduits.

⚠ DANGER

HAZARD OF ELECTRIC SHOCK, EXPLOSION, OR ARC FLASH

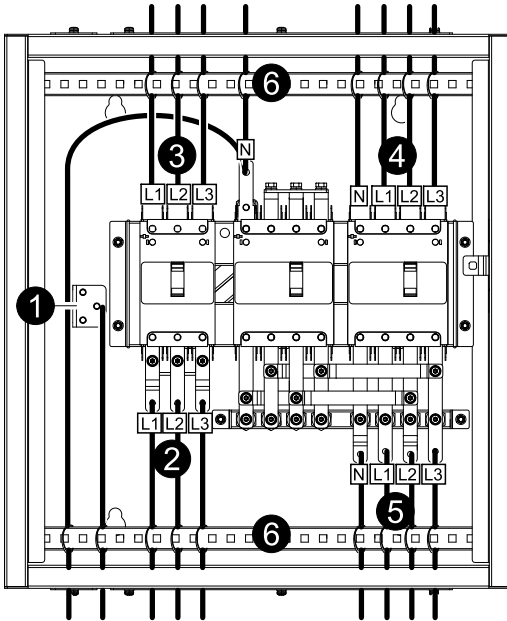
Ensure that there are no sharp edges that can damage the cables.

Failure to follow these instructions will result in death or serious injury.

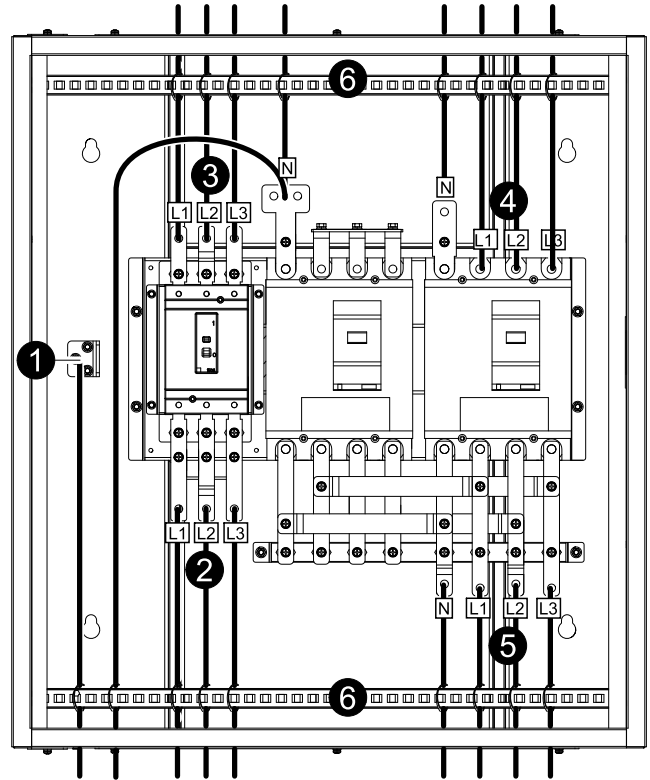
3. Install conduits (if applicable) and reinstall the gland plates.

Connect the Power Cables

E3SBPSU10K20F



E3SBPSU30K40F

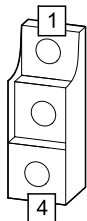


1. Connect the ground cable.
2. Perform one of the following:
 - For single mains: Connect the input cables to the unit input breaker (UIB).
 - For dual mains: Connect the bypass cables to the static switch input breaker (SSIB).
3. Perform one of the following:
 - For single mains: Connect the UPS input cables to the unit input breaker (UIB).
 - For dual mains: Connect the UPS bypass cables to the static switch input breaker (SSIB).
4. Connect the UPS output cables to the unit output breaker (UOB).
5. Connect the load cables.
6. Fasten the cables with cable ties to the cable reliefs as shown.

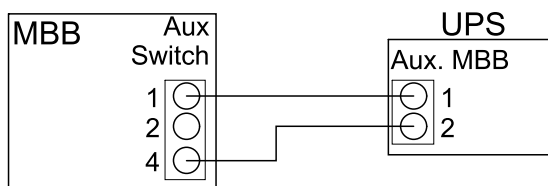
Connect the Signal Cables

NOTE: Route the signal cables separately from the power cables.

1. Remove the plastic cover of the maintenance bypass breaker MBB to get access to the auxiliary switch.

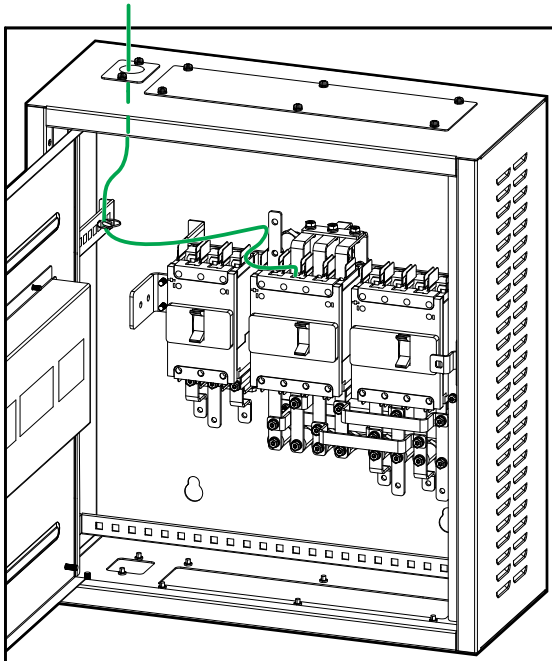


2. Connect signal cables 22 AWG (not supplied) between the maintenance bypass breaker MBB and the UPS.

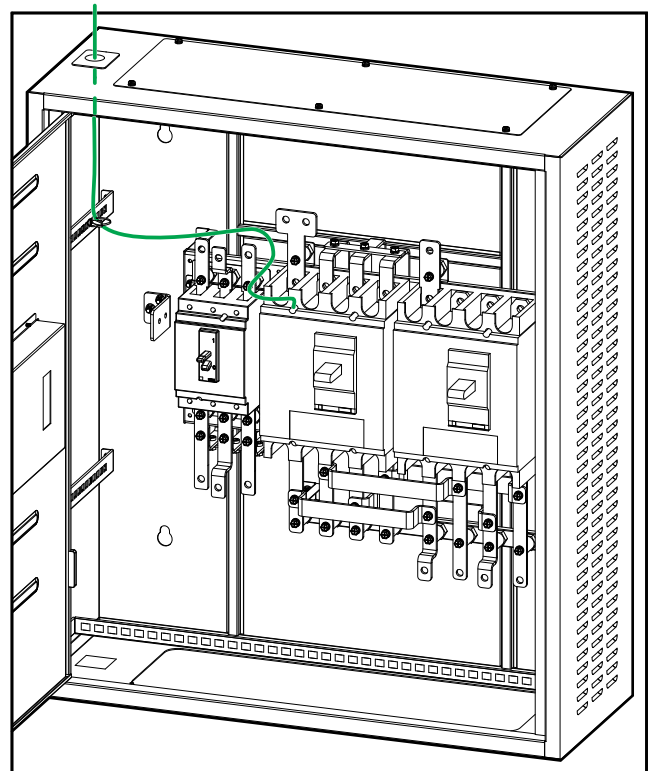


3. Route the signal cables through the top or bottom of the maintenance bypass panel and fasten the signal cables to the cables reliefs.

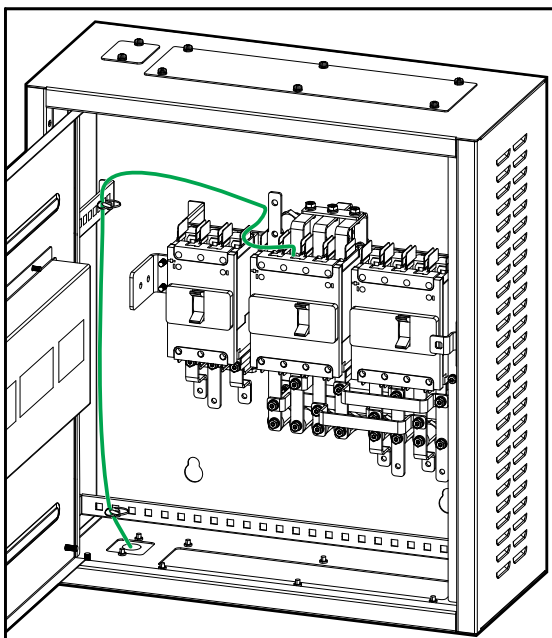
E3SBPSU10K20F – Top Cable Entry



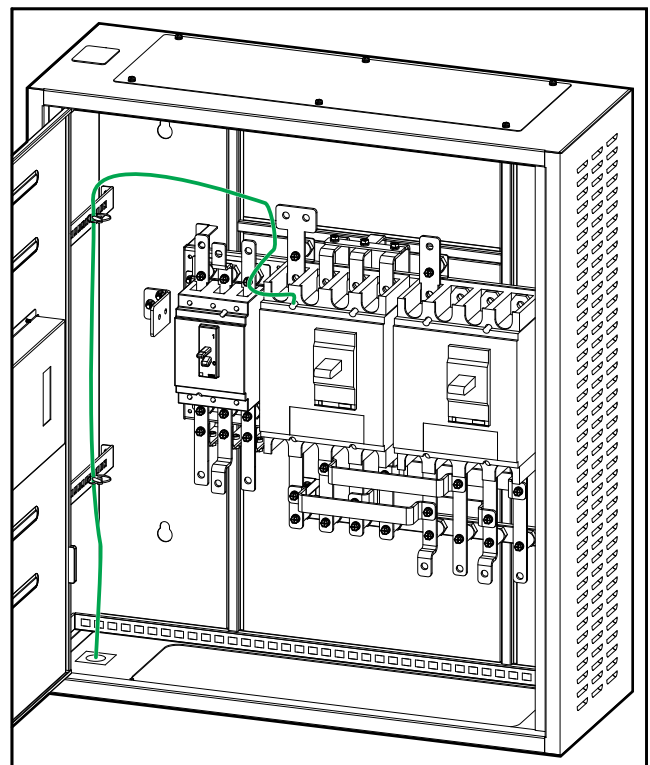
E3SBPSU30K40F – Top Cable Entry



E3SBPSU10K20F – Bottom Cable Entry

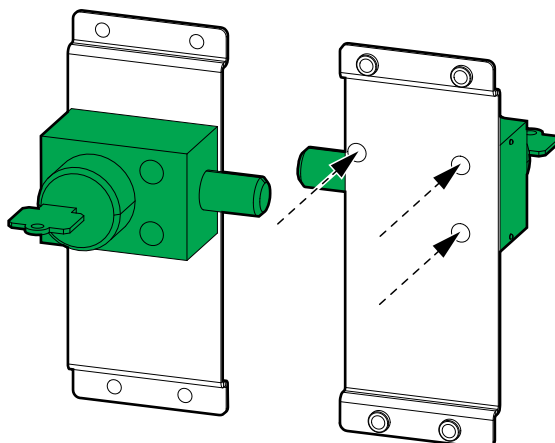


E3SBPSU30K40F – Bottom Cable Entry

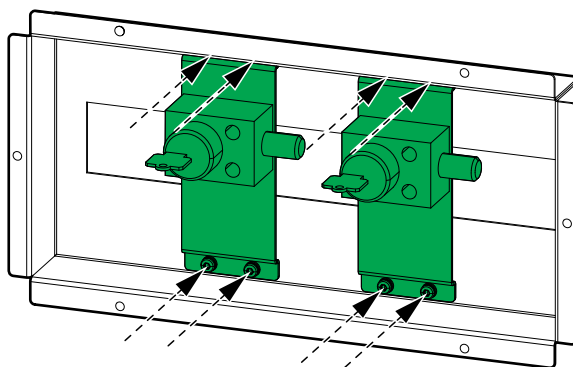


Install the Kirkkey kit E3SOPT015 in E3SBPSU10K20F

1. Place the kirkkeys on the front of the two brackets and fasten from the rear side of the brackets.

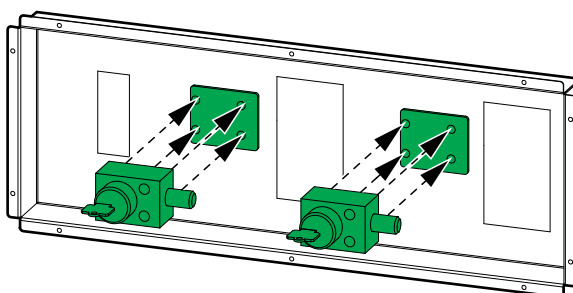


2. Install the two brackets on the breaker cover.



Install the Kirkkey kit E3SOPT015 in E3SBPSU30K40F

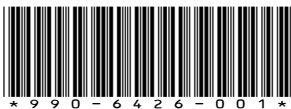
1. Place the plate and kirkkeys on the front of the breaker cover and fasten with four screws from the rear side of the cover.



Printed in:
Schneider Electric
35 rue Joseph Monier
92500 Rueil Malmaison - France
+ 33 (0) 1 41 29 70 00

Schneider Electric
35 rue Joseph Monier
92500 Rueil Malmaison
France

+ 33 (0) 1 41 29 70 00



As standards, specifications, and design change from time to time,
please ask for confirmation of the information given in this publication.

© 2020 – 2020 Schneider Electric. All rights reserved.

990-6426-001