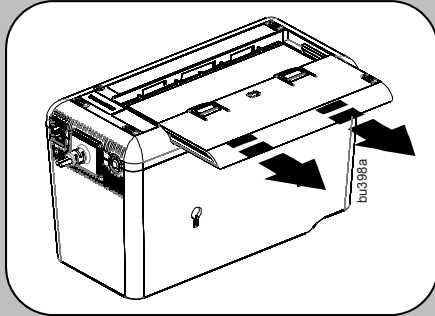


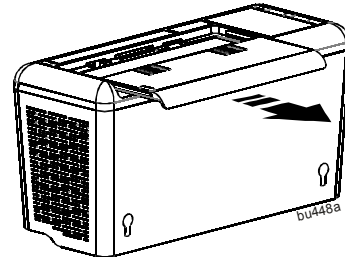
Installation Guide APCRBC154

- 1 Press the battery compartment cover release tabs located on the rear side of the unit. Slide the battery cover off.

Back-UPS Connect models

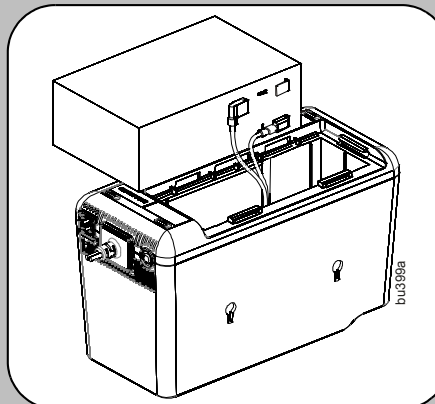


Back-UPS models

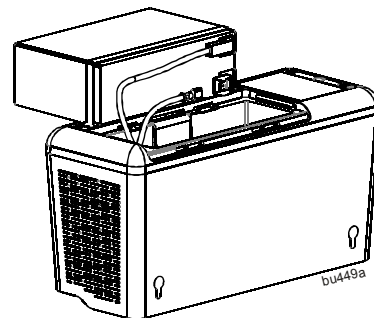


- 2 Connect the battery cables securely to the battery terminals. It is normal for small sparks to be seen when the battery cable is connected to the battery terminal. Once the terminals are connected insert the battery, with the terminals facing down, into the battery compartment.

Back-UPS Connect models

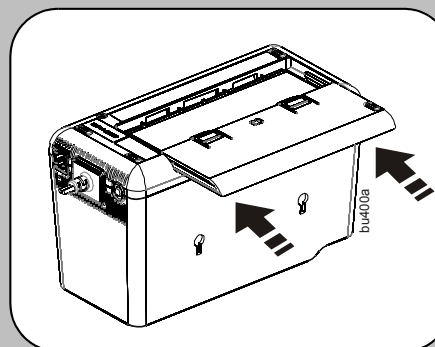


Back-UPS models

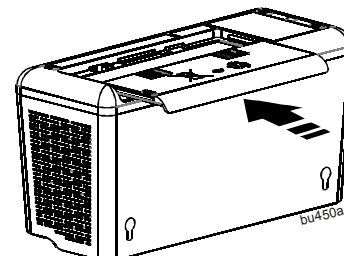


- 3 Reinstall the battery compartment cover. Be sure that the release tabs lock into place.

Back-UPS Connect models



Back-UPS models



Customer support and warranty information is available at the APC by Schneider Electric Web site, www.apc.com.