

SR860

# SMARTMOUNT® Flat Panel Cart

FOR 43" TO 75"+ DISPLAYS



**Mounting Pattern**  
200 x 200 up to  
800 x 400mm



**Max Load**  
125lb  
(56.7kg)

- Improved leg design offers better movement around the display, such as when using a touch display or presenting to an audience
- Tube design and spacing allows for an easier way of transporting the display thanks to flexible handling locations
- Includes a preinstalled, 20ft, 3-outlet power cord for the display, media players, or mini PCs
- 32" x 11" fixed shelf provides a convenient place to set laptops, notebooks, pens, etc.
- Optional ACC-UCM accessory can be added to the rear of the cart for mounting of additional AV devices
- Complies with all criteria including load, tip and caster testing under UL1678 standards



3-outlet extension cord is preinstalled through the cart tubing

### REMOVABLE REAR COVER

Sits behind the rear of the display and provides a clean, concealed area for managing cabling and components (Shelf is made of ABS plastic; materials do not degrade WiFi signals)

### HEIGHT ADJUSTMENT

Allows displays to be positioned 49.8" to 65.8" from the floor



The plug end and additional slack exits the cart tubing and is managed at the rear of the cart

### HIDDEN CABLE MANAGEMENT

Hinged rear cover provides hidden storage for the power cable when moving or storing the cart

### SAFE AND EASY MANEUVERABILITY

4" (102mm) dual-wheeled casters meet UL specifications and allow the cart to easily move across tile, carpet, and thresholds



Complies with ADA Standards for Accessible Design, Section 308



The frame design of the cart is optimized for storing multiple carts in a reduced footprint



The leg design allows the cart to easily pass through doorways as small as 30" (762mm) wide



Please visit [peerless-av.com/en-us/patents](http://peerless-av.com/en-us/patents) for patent information.

info@peerless-av.com  
peerless-av.com

**peerless-AV®**  
Driving Technology Through Innovation

SR860 SmartMount® Flat Panel Cart for 43" to 75"+ Displays

Product Specifications

	DIMENSIONS (W x H x D)	PRODUCT WEIGHT	LOAD CAPACITY	FINISH	AVAILABLE COLORS
SR860	35.49" x 77.09" x 28.99" (902 x 1958 x 736mm)	70lb (31.8kg)	125lb (56.7kg)	Textured Powder Coat	Black

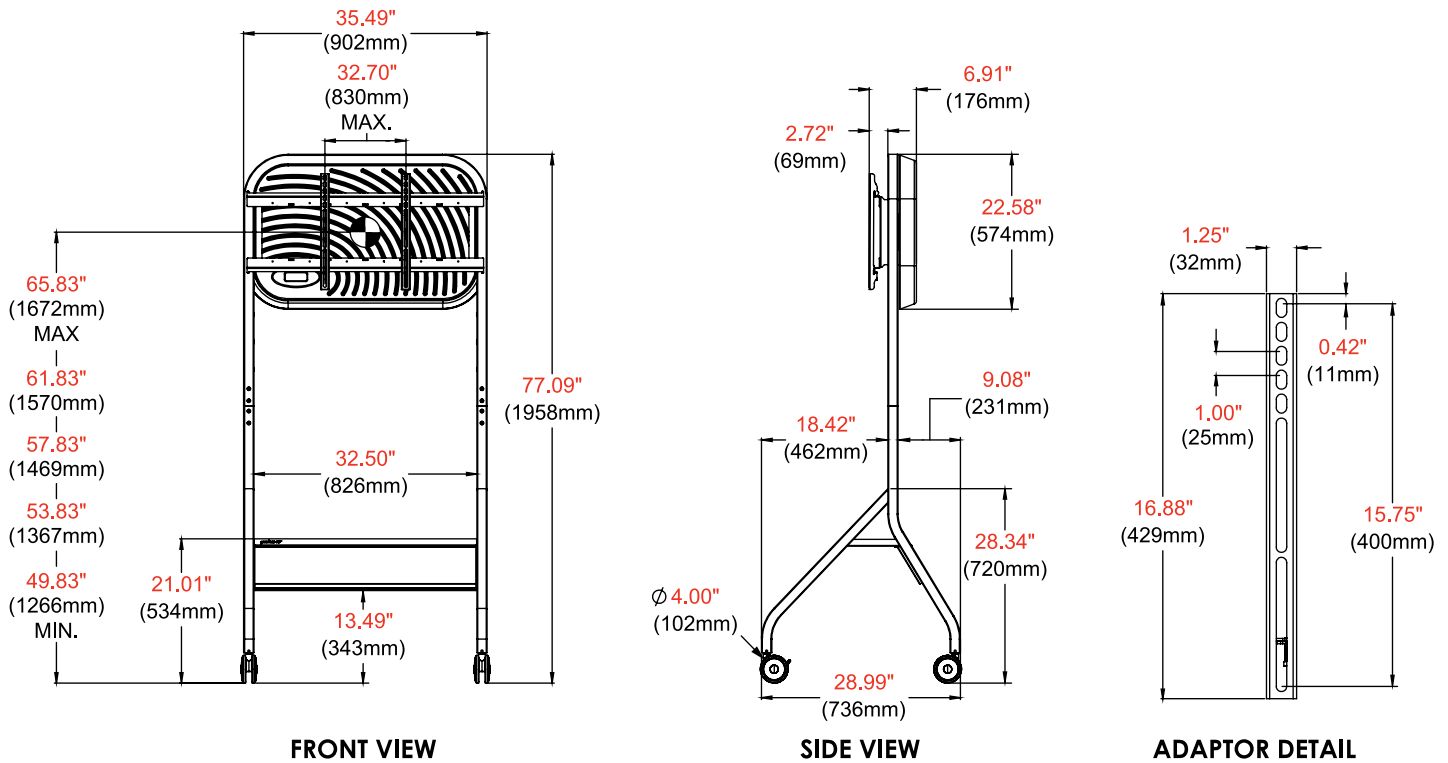
Package Specifications

	PACKAGE SIZE (W x H x D)	PACKAGE SHIP WEIGHT	PACKAGE UPC CODE	PACKAGE CONTENTS	UNITS IN PACKAGE
SR860	37.80" x 6.11" x 44.10" (960 x 155 x 1120mm)	81.8lb (37.1kg)	735029350965	Right and Left Frames, Upright Tube, Steel Shelf, Universal Display Adaptor, (2) Swivel Casters, (2) Locking Swivel Casters, (3) Outlet Extension Cord, ABS Rear Cover, Hardware & Instructions	1

Accessories

- |  |   |
|--|---|
| <b>ACC148:</b> 6-Outlet Surge Protector, 15ft Cord with Mounting Bracket | <b>ACC-SB2:</b> Large Universal Soundbar / VC Mount |
| <b>ACC149:</b> (2) 600mm tall Adaptor Brackets                           | <b>ACC-UCM:</b> Universal AV Component Mount        |
| <b>ACC151:</b> Replacement Caster Kit (2 locking, 2 non-locking)         | <b>ACC-V900X:</b> 600, 800 and 900mm VESA® Adaptor  |
| <b>ACC310:</b> Leveling Feet Accessory                                   |   |

All dimensions = inch (mm)



Architect Specifications

The SmartMount® Flat Panel Cart shall be a Peerless-AV model SR860 and shall be located where indicated on the plans. Assembly and installation shall be done according to instructions provided by the manufacturer.

Visit [peerless-av.com](http://peerless-av.com) to see the complete line of AV solutions from Peerless-AV, including outdoor displays, kiosks, display mounts, projector mounts, carts/stands, and a full assortment of accessories.

**Peerless-AV**  
2300 White Oak Circle  
Aurora, IL 60502  
USA  
**(800) 865-2112**  
**(630) 375-5100**

**Peerless-AV EMEA**  
Unit 2 Curo Park  
Frogmore, St. Albans  
Hertfordshire, AL2 2DD  
United Kingdom  
**+44 (0) 1923 200 100**

**Peerless-AV B.V.**  
Papendorpseweg 75  
3528 BJ Utrecht  
The Netherlands  
**+31 (0) 70 770 8037**

**Peerless-AV Latin America**  
Av. de las Industrias 413  
Parque Industrial Escobedo  
General Escobedo, N.L.,  
México, 66062  
**+52 (81) 8384-8300**

