

RR2-3RCN RACKRAIL RECESSOR

SUPPLIED COMPONENTS AND HARDWARE

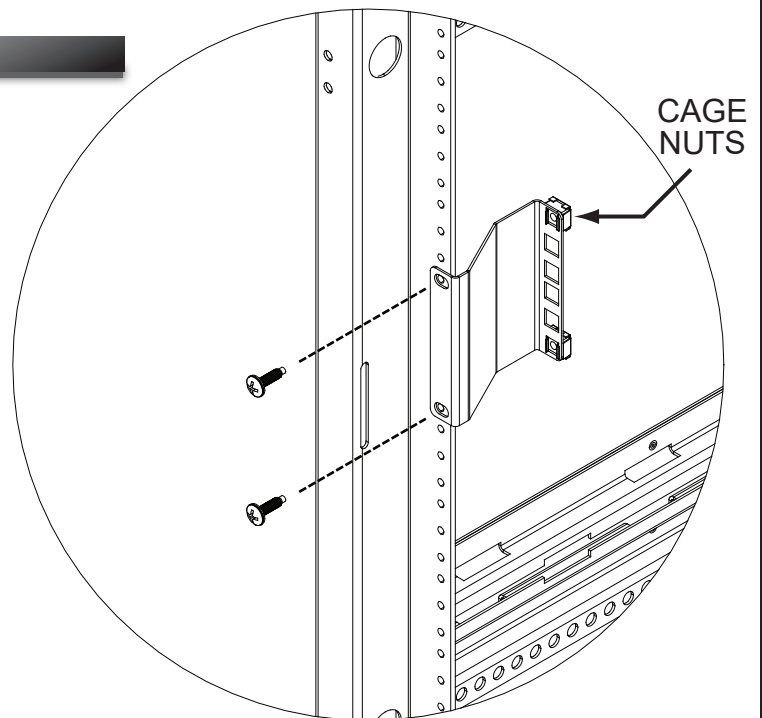
If any pieces are missing or damaged, please report it immediately to Technical Support at av.support@legrand.com or (866) 977-3901.

- (2x) Recessor Ears
- (4x) HPQ Screws (For mounting ears to rackrail)
- (8x) 10/32 Cage Nuts

NOTE: Cage Nuts are not pre-installed. They can be installed in any opening.

INSTALLATION

1. Install cage nuts into the desired openings on the back of the ears.
2. Mount the ears to rackrail using provided HPQ screws.



**MIDDLE
ATLANTIC**

A brand of **legrand**

I-00466

Rev A

RR2-3RCN RACKRAIL RECESSOR

SUPPLIED COMPONENTS AND HARDWARE

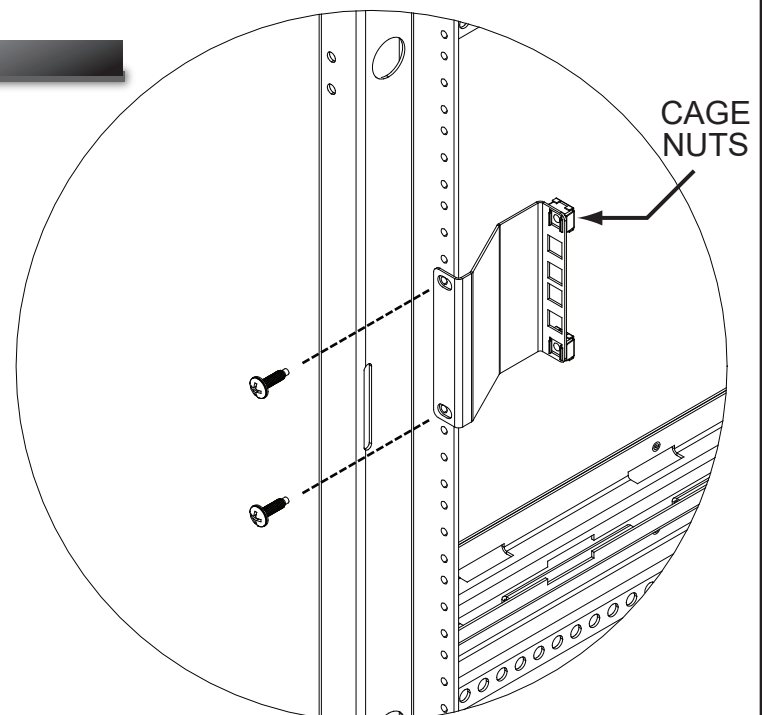
If any pieces are missing or damaged, please report it immediately to Technical Support at av.support@legrand.com or (866) 977-3901.

- (2x) Recessor Ears
- (4x) HPQ Screws (For mounting ears to rackrail)
- (8x) 10/32 Cage Nuts

NOTE: Cage Nuts are not pre-installed. They can be installed in any opening.

INSTALLATION

1. Install cage nuts into the desired openings on the back of the ears.
2. Mount the ears to rackrail using provided HPQ screws.



**MIDDLE
ATLANTIC**

A brand of **legrand**

I-00466

Rev A

WARRANTY

For warranty information, refer to www.legrandav.com/policies/warranty_information.

Contacting Corporate Headquarters

P: (866) 977-3901 | F: (877) 894-6918 | www.legrandav.com | av.support@legrand.com

Contacting Middle Atlantic Canada

P: (888) 766-9770 | F: (888) 599-5009 | ca.middleatlantic.com | av.canada.customerservice@legrand.com

Contacting Middle Atlantic Europe, Middle East, and Africa (EMEA) Technical Support

P: +31 495-726-003 | av.emea.middleatlantic.support@legrand.com

United States (US)

Legrand | AV Headquarters
6436 City West Parkway
Eden Prairie, MN, 55344, USA

European Union (EU)

Legrand AV Netherlands
B.V. Franklinstraat 14 6003
DK, Weert, Netherlands

United Kingdom (UK)

Starline Holding Technology Ltd.
(Authorized Representative)
Unit C, Island Rd.
Reading RG2, 0RP- UK

At Legrand AV Inc. we are always listening. Your comments are welcome.
Legrand AV is an ISO 9001 and ISO 14001 Registered Company.

WARRANTY

For warranty information, refer to www.legrandav.com/policies/warranty_information.

Contacting Corporate Headquarters

P: (866) 977-3901 | F: (877) 894-6918 | www.legrandav.com | av.support@legrand.com

Contacting Middle Atlantic Canada

P: (888) 766-9770 | F: (888) 599-5009 | ca.middleatlantic.com | av.canada.customerservice@legrand.com

Contacting Middle Atlantic Europe, Middle East, and Africa (EMEA) Technical Support

P: +31 495-726-003 | av.emea.middleatlantic.support@legrand.com

United States (US)

Legrand | AV Headquarters
6436 City West Parkway
Eden Prairie, MN, 55344, USA

European Union (EU)

Legrand AV Netherlands
B.V. Franklinstraat 14 6003
DK, Weert, Netherlands

United Kingdom (UK)

Starline Holding Technology Ltd.
(Authorized Representative)
Unit C, Island Rd.
Reading RG2, 0RP- UK

At Legrand AV Inc. we are always listening. Your comments are welcome.
Legrand AV is an ISO 9001 and ISO 14001 Registered Company.