

C5 Series AV Credenza Rack

Perfect for conference rooms, huddle spaces & classrooms the C5 is available in pre-configured models or customize your own.

FEATURES

- Frame to Furniture™ design complements an integrator's installation workflow and creates an environment for an optimized AV system
- Fully assembled frames ship separately from furniture-grade woodkit
- Integrated, thermostatically controlled cooling quietly protects electronics from over-heating
- Available in 1, 2 and 3 bay models and three depths (22", 27" and 31")
- Unique design allows woodkit panels to be replaced quickly and easily
- Available in Moderno, Sota and Klasik Styles
- Standard finishes available: Veneer and High Pressure Laminate materials



C5 SERIES AV CREDENZA RACK

OPTIONS

- Shelf System insert shall be model # C5-SH-SYS__ (refer to chart)
- Flip up side shelf shall be model # C5-__FS__-__ (refer to chart)
- Slide out rotating rack bay shall have 12 rackspaces and be model C5D-SRSR12
- Adjustable Rail Bracket shall be model # C5-ARB__
- 1 bay rear door extender kit shall be model # C5-EXT-3
- Cable grommet shall be model # C5-CG-____
- Display mounts shall be part # C5-2731-__D__-XX (XX = 62 or 75)
- Millwork kit shall be C5-MK__(frame depth - 22, 27, 31)-__ (number of bays - 1,2,3)

SPECIFICATIONS

EIA Compliant 19" A/V Credenza Rack shall be Middle Atlantic Products model # C5FF_-_- (refer to chart). Credenza Rack shall be available in 1, 2 or 3 bay configurations. Overall dimensions shall be 31-1/4" H x __W" x __" D (refer to chart). Usable height shall be 14 rackspaces per bay. Rack frames shall ship fully assembled and be constructed of steel. Total weight capacity with Middle Atlantic finishing kit shall be __ lbs. Total weight capacity of the frame only (must take into account the weight of the customer supplied finishing kit) shall be __ lbs. Each rack bay shall come equipped with 2 pairs of 11-gauge steel rackrail tapped with 10-32 mounting holes in universal EIA spacing, black e-coat finish and numbered rackspaces. Credenza rack shall have one 50 CFM thermostatically controlled proportional speed blower per bay. Exhaust air shall exit the front of the credenza for unrestricted air flow. Thermostatically controlled fans shall be powered on at 87 F and turn off at 85 F. Credenza rack shall require vent panel, model # C5-VENT_-_- (refer to chart) and have venting on the top and bottom of the face of the rack. Credenza rack shall include two adjustable side mounted horizontal lacing bars for enhanced cable management. Credenza rack shall have a steel rear access panel. Credenza rack shall be finished in a durable black powder coat. Top, sides, and front doors shall ship separately from rack frame and be model # C5_K_-_-DX. Top shall be constructed of 1-1/8" OR 1" thick triple refined MDF or Particle Board, sides shall be constructed of " OR 1" thick triple refined MDF or particle board, front doors shall be constructed of 3/4" thick triple refined MDF. Top, sides and front doors shall be available in a Moderno, Sota or Klasik styles (refer to chart). Front doors shall be solid or plexi (refer to chart). Top, sides and front doors shall be available in Veneer or High Pressure Laminate materials, visit legrandav.com for list of available finishes. Credenza rack shall include 4 fine floor casters. Credenza Rack and Credenza Display Mounts shall be UL certified. Credenza rack shall be GREENGUARD Gold Certified with the exception of Veneer finishes, which shall be GREENGUARD Certified. Credenza rack shall be manufactured by an ISO 9001 and ISO 14001 registered company. Credenza Rack frame shall be warranted to be free from defects in material or workmanship under normal use and conditions for the lifetime of the rack, fans shall be warranted for a period of three years and wood panels shall be warranted for a period of 7 years.



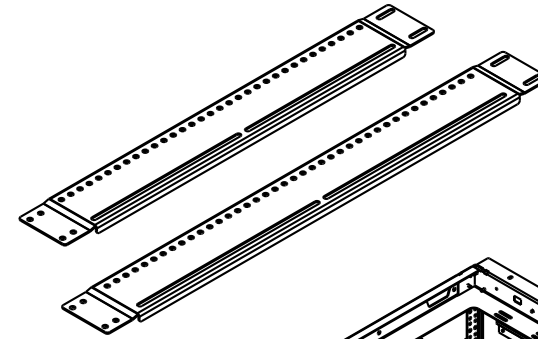
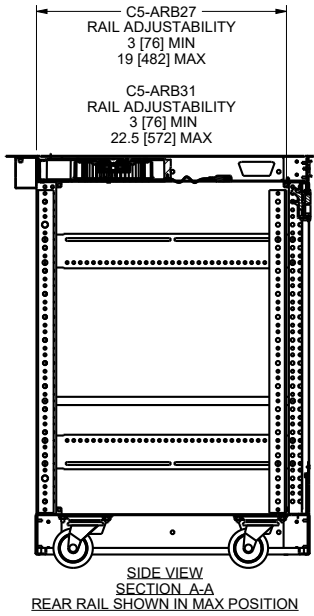
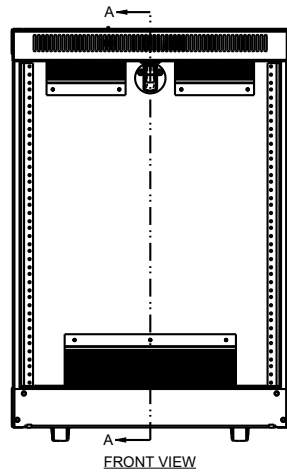
PRODUCT CERTIFIED FOR
LOW CHEMICAL EMISSIONS
UL.COM/GG
UL 2818

EIA/TIA COMPLIANT

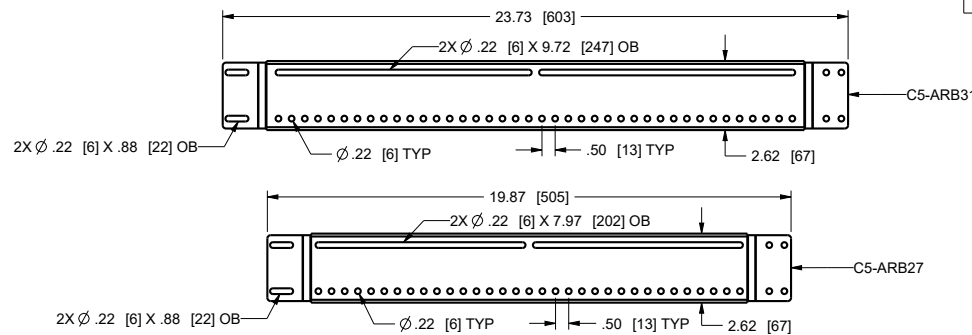
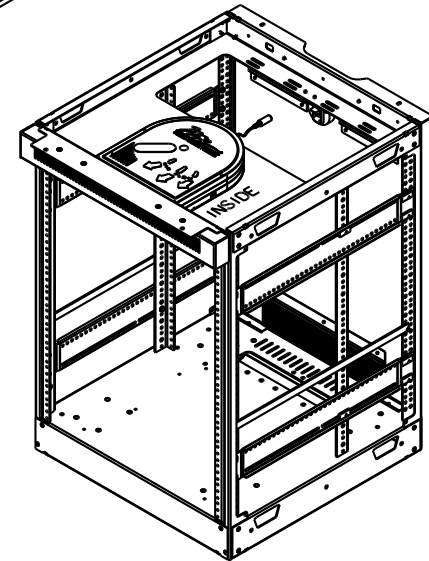
C5 SERIES

BASIC DIMENSIONS

- NOTE(S):
 1) ALL DIMENSIONS SHOWN IN FORMAT:
 INCHES [MILLIMETERS]
 2) ADJUSTABLE RAIL BRACKET ONLY AVAILABLE
 FOR 27" AND 31" DEEP MODELS

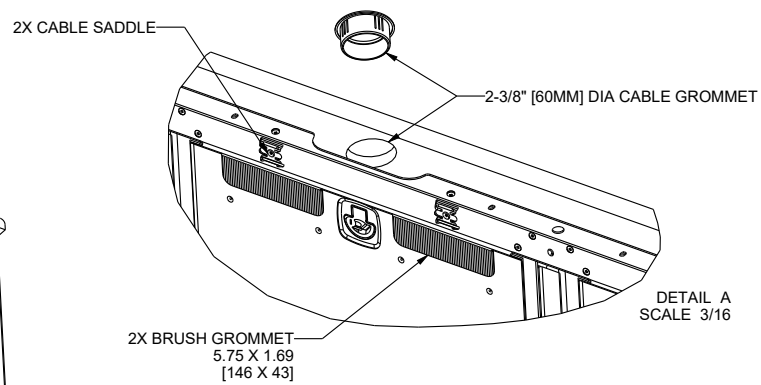
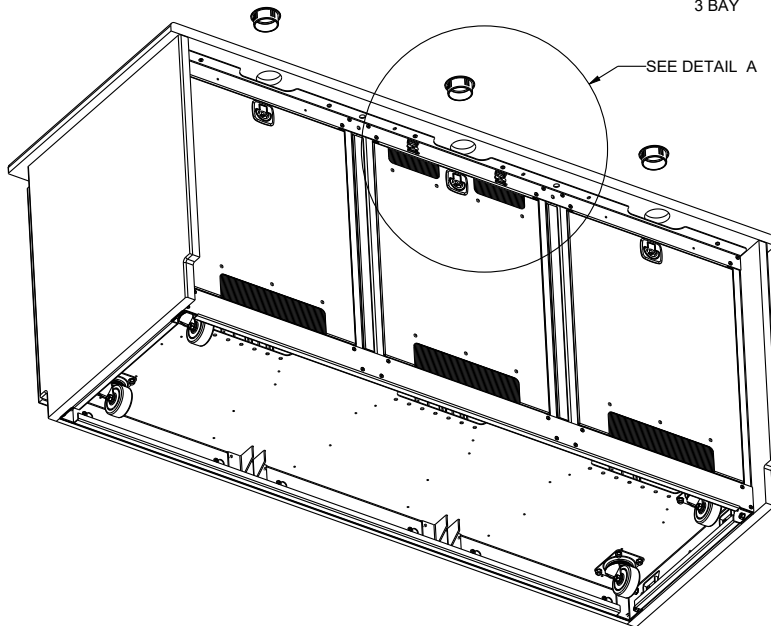
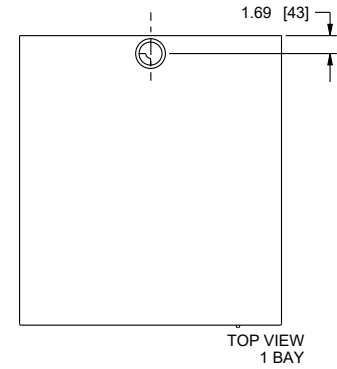
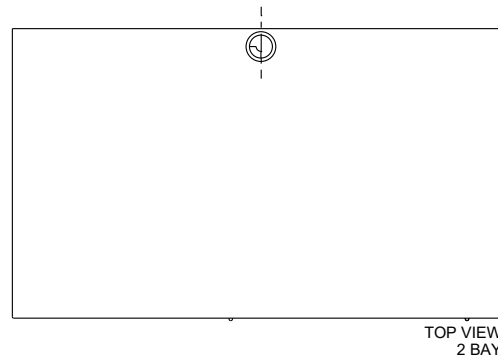
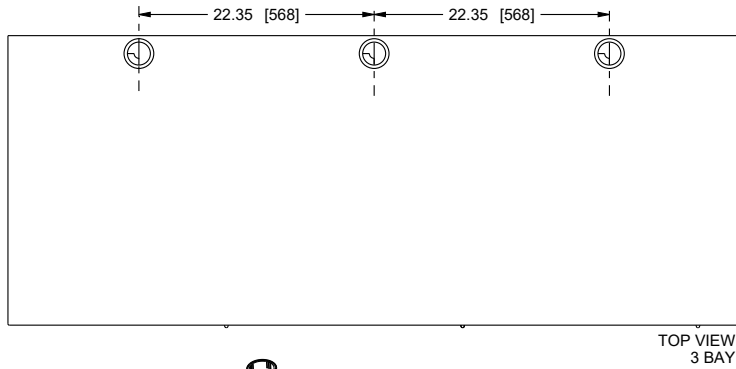


PART NUMBER	COMPATIBLE WITH
C5-ARB27	C5-FF27-1 C5-FF27-2 C5-FF27-3
C5-ARB31	C5-FF31-1 C5-FF31-2 C5-FF31-3



C5 SERIES

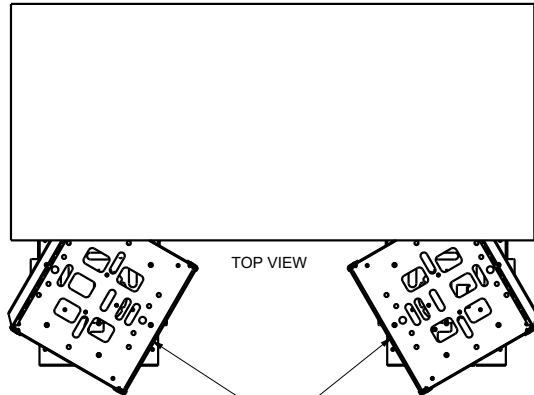
BASIC DIMENSIONS



NOTE(S):
1) ALL DIMENSIONS SHOWN IN FORMAT:
INCHES [MILLIMETERS]
2) C5 CABLE GROMMET ONLY AVAILABLE ON 27" AND 31" DEEP MODELS

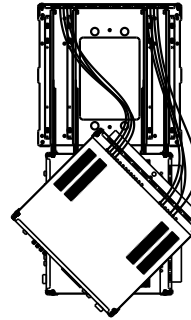
C5 SERIES

BASIC DIMENSIONS

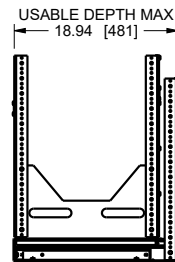
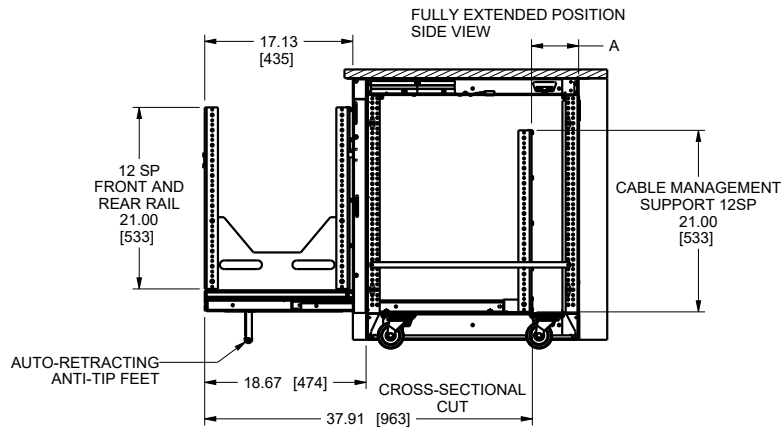


C5D-SRSR12 SHOWN ROTATED 60° IN BOTH DIRECTIONS.

FOR EASY INSTALLATION AND SERVICING
LOCKS IN PLACE 0° AND 60°
TOP VIEW

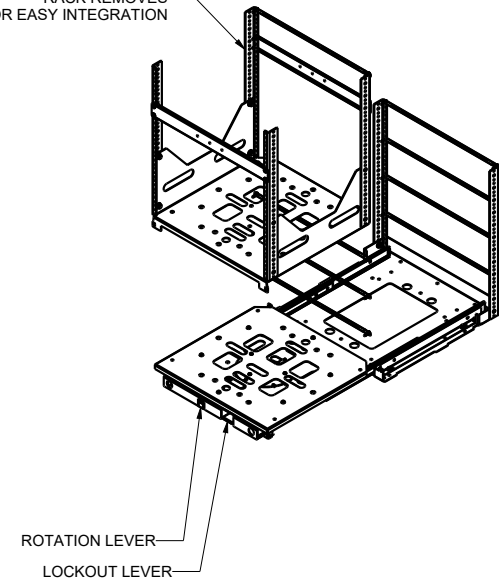


IT IS RECOMMENDED THAT THE FRONT DOOR BE REMOVED TO PROVIDE REAR ACCESS WHEN EXTENDING AND ROTATING THE RACK BAY.



FRAME PART NUMBER	"A" RACK RAIL AND REAR ACCESS PANEL DISTANCE
C5-FF27-3, C5-FF27-2, C5-FF27-1	1.55 [40]
C5-FF31-3, C5-FF31-2, C5-FF31-1	5.41 [138]

RACK REMOVES FOR EASY INTEGRATION



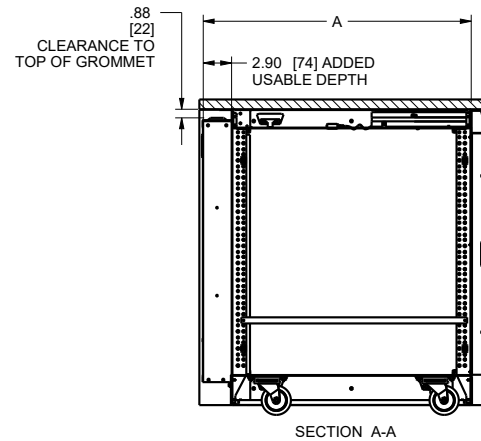
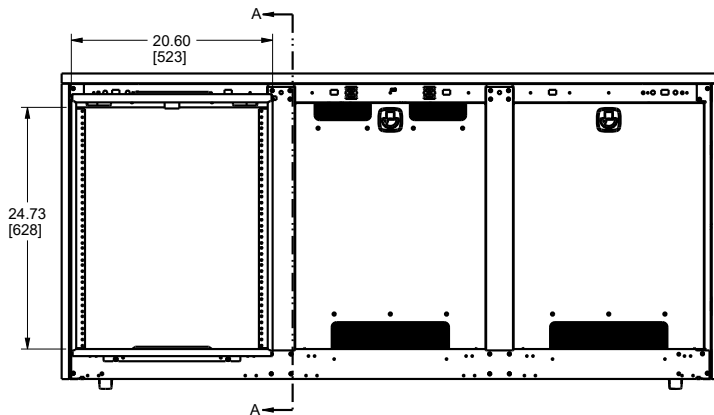
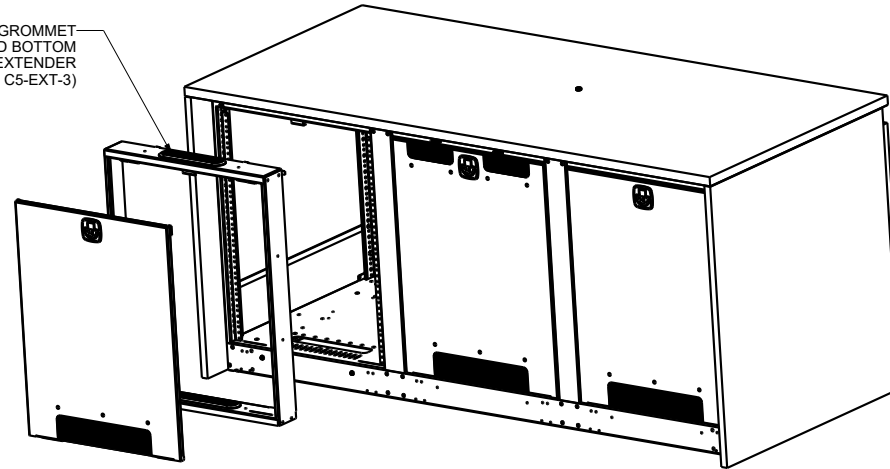
NOTE(S):
1) ALL DIMENSIONS SHOWN IN FORMAT:
INCHES [MILLIMETERS]
2) C5D-SRSR12 ONLY AVAILABLE FOR 27" AND 31" DEEP MODELS

C5 SERIES

BASIC DIMENSIONS

FRAME PART NUMBER	"A" COMBINED DEPTH
C5-FF22-1, C5-FF22-2, C5-FF22-3	18.94 [481]
C5-FF27-1, C5-FF27-2, C5-FF27-3	23.54 [598]
C5-FF31-1, C5-FF31-2, C5-FF31-3	27.42 [697]

1" x 7" CABLE GROMMET ON TOP AND BOTTOM OF C5 EXTENDER (P/N: C5-EXT-3)



NOTE(S):
1) ALL DIMENSIONS SHOWN IN FORMAT:
INCHES [MILLIMETERS]

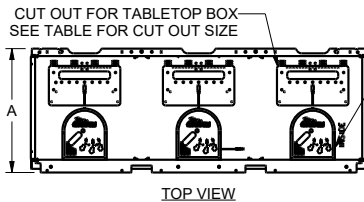
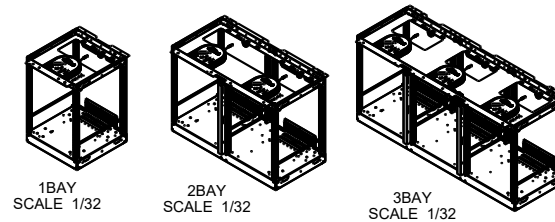
C5 SERIES

BASIC DIMENSIONS

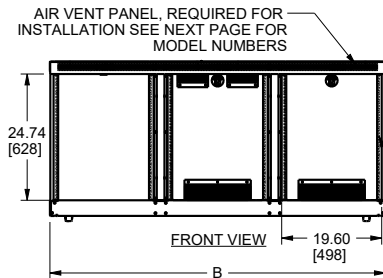
NOTES:

- 1) ALL DIMENSIONS SHOWN IN FORMAT: INCHES [MILLIMETERS]
- 2) AMPERAGE IS BASED ON ACTUAL AMPERAGE RATINGS, NOT ON NAMEPLATE RATINGS, WHICH HAVE BEEN PROVEN TO VARY SIGNIFICANTLY
- 3) IDEAL MAX. TEMP. CHANGE 15° F BASED ON AN AMBIENT ROOM TEMP. OF 70° F
- 4) THIS DATA IS MADE ASSUMING THAT THE CREDENZA IS PLACED AGAINST A WALL IN A ROOM
- 5) 1 POWER SUPPLY PER FRAME WITH 68 [1727] LONG CORD
- 6) FRONT AND REAR STABILIZING FEET INCLUDED ONLY ON 22" DEEP MODELS (SEE DETAIL A)
- 7) RATED WEIGHT CAPACITY IS WITH MAP WOODKIT
- 8) 22" DEEP MODELS RATED FOR MAX. 250LBS ON TOP, 250LBS INSIDE
- 9) 27" AND 31" MODELS RATED FOR MAX. 350LBS ON TOP, 250LBS INSIDE
- 10) TOTAL WEIGHT CAPACITY INCLUDES USER-PROVIDED WOODKIT

COOLING CAPABILITIES			
THERMAL LOAD	TEMP CHANGE (° F)	TEMP CHANGE (° F)	TEMP CHANGE (° F)
	C5-FF22-1	C5-FF22-2	C5-FF22-3
C5-FF27-1 / IC5-FF27-1	3.3	1.8	1.3
C5-FF31-1 / IC5-FF31-1	7.4	4.6	3.7
C5-FF27-2 / IC5-FF27-2	9.9	6.5	4.7
C5-FF31-2 / IC5-FF31-2	14.5	7.2	5.3
C5-FF27-3 / IC5-FF27-3	17.8	10.0	7.8
C5-FF31-3 / IC5-FF31-3	21.2	11.3	9.0
0.8A-100W	25.8	14.5	10.1
1.7A-200W	26.6	15.0	12.2
2.5A-300W	31.5	17.7	13.3
3.3A-400W	33.3	19.5	15.6

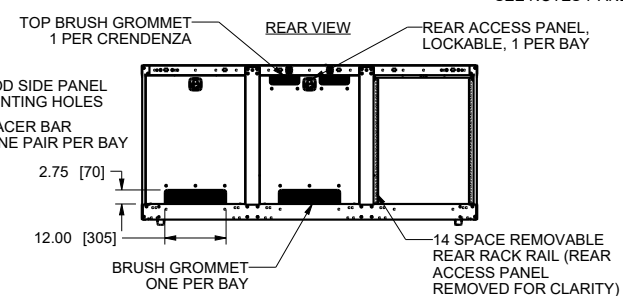
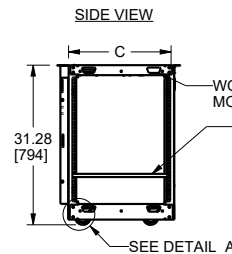
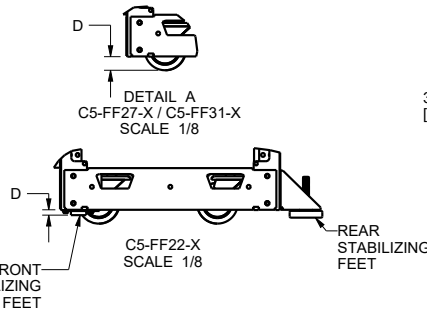
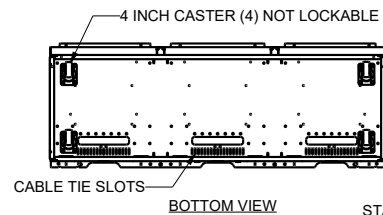


50 CFM BLOWER PER BAY
(1 RELOCATABLE TEMPERATURE
SENSOR PER FRAME)



FRAME PART NUMBER	"A" DEPTH	"B" WIDTH	"C" USEABLE DEPTH	"D" CLEARANCE	CUT OUT SIZE	CUT OUT QTY	DBA	FAN FREE AIR RATED CFM	ACTUAL INSTALLED CFM	RATED WEIGHT CAPACITY	TOTAL WEIGHT CAPACITY
C5-FF22-1	19.67 [500]	21.05 [535]	15.48 [393]	.15 [4]	3.13 [80] X 17.05 [433]	1	33	50	46	500LBS/227KG	550LBS/250KG
C5-FF22-2	19.67 [500]	43.39 [1102]	15.48 [393]	.15 [4]	3.13 [80] X 39.39 [1001]	1	34	100	91	500LBS/227KG	550LBS/250KG
C5-FF22-3	19.67 [500]	65.75 [1670]	15.48 [393]	.15 [4]	3.13 [80] X 14.00 [356]	3	36	150	138	500LBS/227KG	550LBS/250KG
C5-FF27-1	24.27 [616]	21.05 [535]	20.08 [510]	1.00 [25]	7.75 [197] X 17.05 [433]	1	33	50	46	600LBS/273KG	800LBS/363KG
C5-FF27-2	24.27 [616]	43.39 [1102]	20.08 [510]	1.00 [25]	7.75 [197] X 39.39 [1001]	1	34	100	91	600LBS/273KG	800LBS/363KG
C5-FF27-3	24.27 [616]	65.75 [1670]	20.08 [510]	1.00 [25]	7.75 [197] X 14.00 [356]	3	36	150	138	600LBS/273KG	800LBS/363KG
C5-FF31-1	28.13 [714]	21.05 [535]	23.94 [608]	1.00 [25]	10.00 [254] X 17.05 [433]	1	33	50	46	600LBS/273KG	800LBS/363KG
C5-FF31-2	28.13 [714]	43.39 [1102]	23.94 [608]	1.00 [25]	10.00 [254] X 39.39 [1001]	1	34	100	91	600LBS/273KG	800LBS/363KG
C5-FF31-3	28.13 [714]	65.75 [1670]	23.94 [608]	1.00 [25]	10.00 [254] X 14.00 [356]	3	36	150	138	600LBS/273KG	800LBS/363KG

*SEE NOTES 7 AND 8



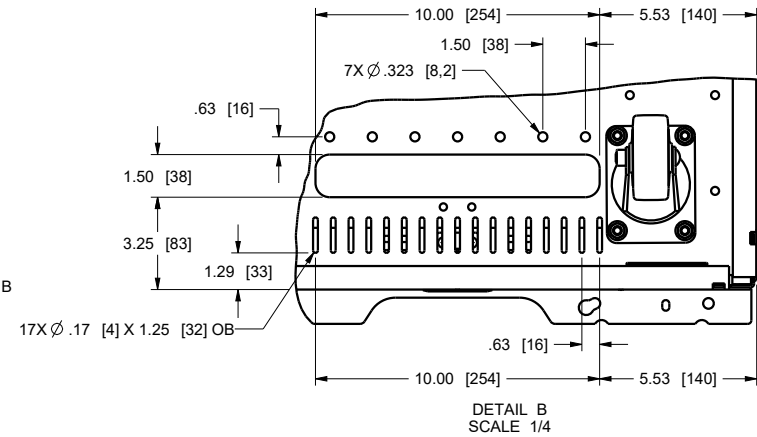
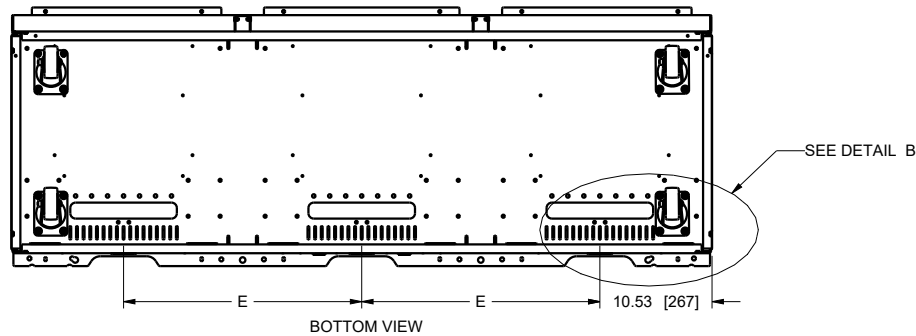
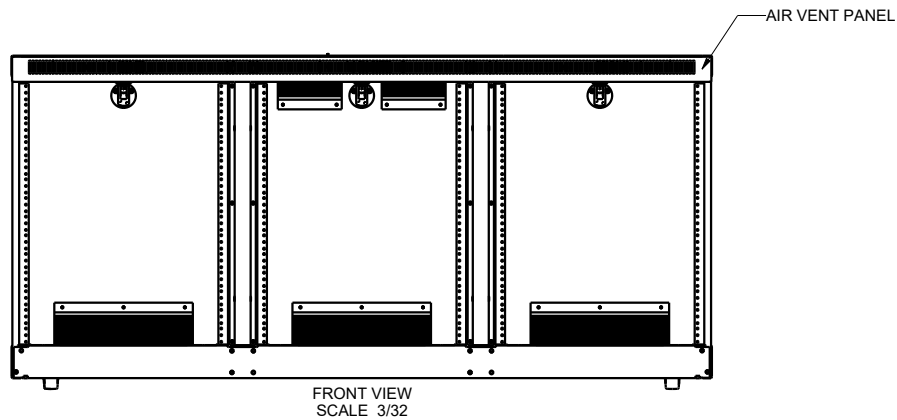
C5 SERIES

BASIC DIMENSIONS

NOTES:

- 1) ALL DIMENSIONS SHOWN IN FORMAT:
INCHES [MILLIMETERS]
- 2) AIR VENT PANEL IS REMOVABLE AND OFFERED IN
DIFFERENT COLORS, REQUIRED FOR INSTALLATION

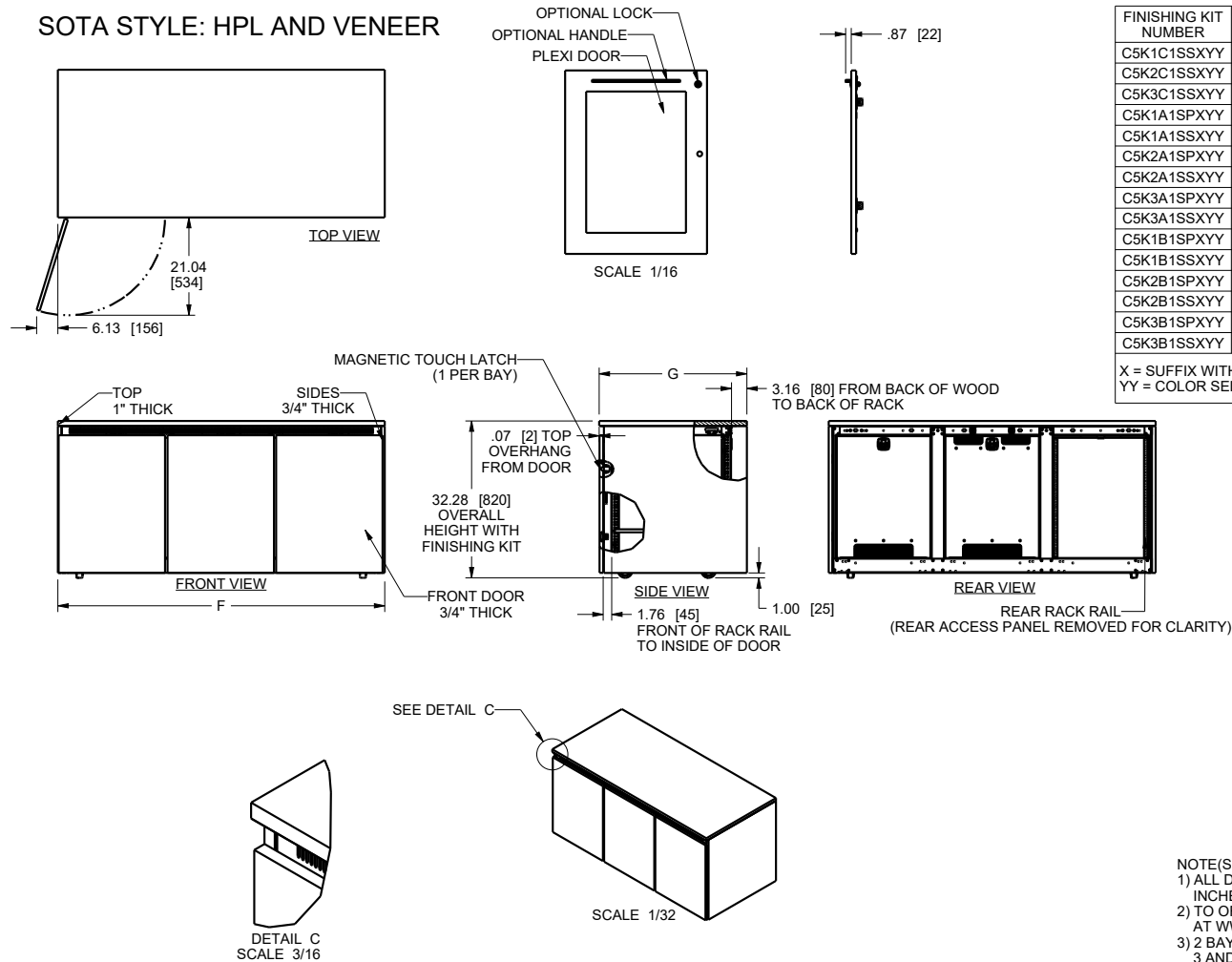
COLOR CODE		FRAME PART NUMBER	"E" CENTER DISTANCE	AIR VENT PART NUMBER
WH	WHITE			
SM	SILVER METALLIC	C5-FF22-1	NA	C5-VENT1-WH C5-VENT1-SM C5-VENT1-BK
BK	FLAT BLACK	C5-FF27-1		
		C5-FF31-1		
		C5-FF22-2	22.35 [568]	C5-VENT2-WH C5-VENT2-SM C5-VENT2-BK
		C5-FF27-2		
		C5-FF31-2		
		C5-FF22-3	22.35 [568]	C5-VENT3-WH C5-VENT3-SM C5-VENT3-BK
		C5-FF27-3		
		C5-FF31-3		



C5 SERIES

BASIC DIMENSIONS

SOTA STYLE: HPL AND VENEER



FINISHING KIT NUMBER	DOOR TYPE	"F" WIDTH	"G" DEPTH	COMPATIBLE WITH
C5K1C1SSXYY	SOLID	22.8 [580]	21.9 [557]	C5-FF22-1
C5K2C1SSXYY	SOLID	45.1 [1146]	21.9 [557]	C5-FF22-2
C5K3C1SSXYY	SOLID	67.5 [1715]	21.9 [557]	C5-FF22-3
C5K1A1SPXYY	PLEXI	22.8 [580]	26.6 [676]	C5-FF27-1
C5K1A1SSXYY	SOLID			
C5K2A1SPXYY	PLEXI	45.1 [1146]	26.6 [676]	C5-FF27-2
C5K2A1SSXYY	SOLID			
C5K3A1SPXYY	PLEXI	67.5 [1715]	26.6 [676]	C5-FF27-3
C5K3A1SSXYY	SOLID			
C5K1B1SPXYY	PLEXI	22.8 [580]	30.4 [773]	C5-FF31-1
C5K1B1SSXYY	SOLID			
C5K2B1SPXYY	PLEXI	45.1 [1146]	30.4 [773]	C5-FF31-2
C5K2B1SSXYY	SOLID			
C5K3B1SPXYY	PLEXI	67.5 [1715]	30.4 [773]	C5-FF31-3
C5K3B1SSXYY	SOLID			

X = SUFFIX WITH V FOR VENEER FINISH, SUFFIX WITH H FOR HPL FINISH
YY = COLOR SELECTION; REFER TO WWW.LEGRANDAV.COM FOR OPTIONS

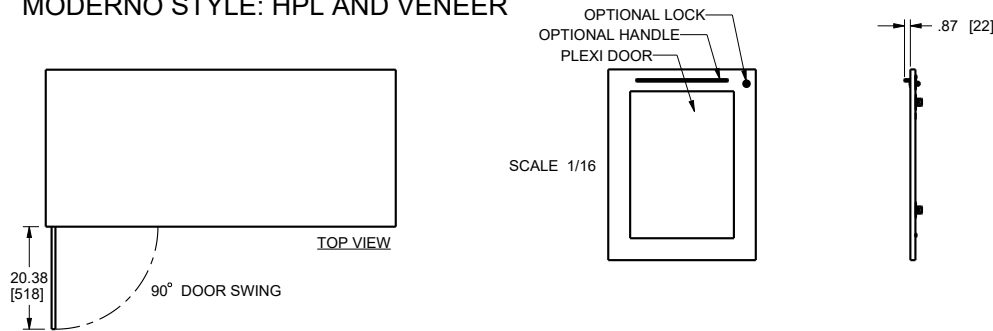
ACCESSORY PART NUMBER	ACCESSORY TYPE	COLOR CODE
ACC-LOCK1-BK	LOCK	BLACK
ACC-LOCK1-MA	LOCK	MODERN ALUMINUM (MATTE FINISH)
ACC-LOCK1-WH	LOCK	WHITE
ACC-HANDLE1-MA	HANDLE	MODERN ALUMINUM (MATTE FINISH)

NOTE(S):
 1) ALL DIMENSIONS SHOWN IN FORMAT: INCHES [MILLIMETERS]
 2) TO ORDER, FULL PART NUMBER MUST BE GENERATED AT WWW.LEGRANDAV.COM.
 3) 2 BAY CREDENZAS HAVE A LEFT AND RIGHT DOOR BY DEFAULT, 3 AND 1 BAY CREDENZAS HAVE LEFT DOORS BY DEFAULT

C5 SERIES

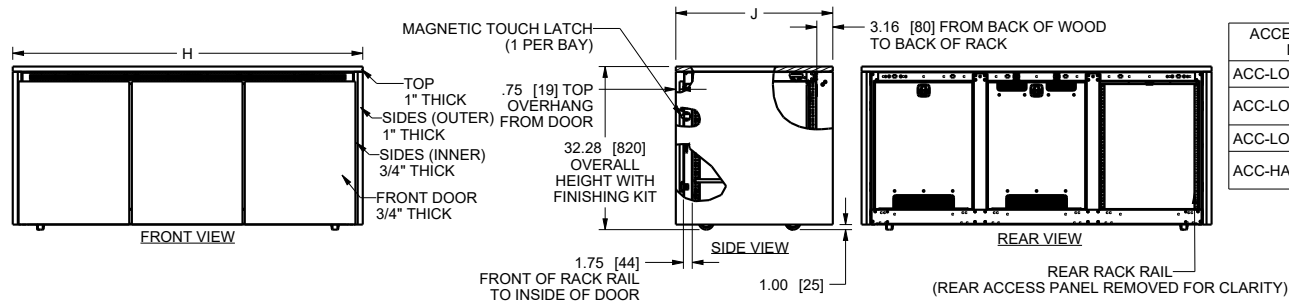
BASIC DIMENSIONS

MODERNO STYLE: HPL AND VENEER

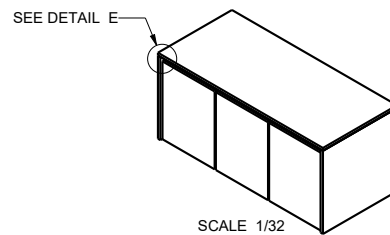
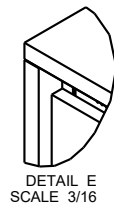


FINISHING KIT NUMBER	DOOR TYPE	"H" WIDTH	"J" DEPTH	COMPATIBLE WITH
C5K1A1MPXYY	PLEXI	24.9 [632]	27.3 [694]	C5-FF27-1
C5K1A1MSXYY	SOLID			
C5K2A1MPXYY	PLEXI	47.2 [1199]	27.3 [694]	C5-FF27-2
C5K2A1MSXYY	SOLID			
C5K3A1MPXYY	PLEXI	69.6 [1768]	27.3 [694]	C5-FF27-3
C5K3A1MSXYY	SOLID			
C5K1B1MPXYY	PLEXI	24.9 [632]	31.1 [790]	C5-FF31-1
C5K1B1MSXYY	SOLID			
C5K2B1MPXYY	PLEXI	47.2 [1199]	31.1 [790]	C5-FF31-2
C5K2B1MSXYY	SOLID			
C5K3B1MPXYY	PLEXI	69.6 [1768]	31.1 [790]	C5-FF31-3
C5K3B1MSXYY	SOLID			

X = SUFFIX WITH V FOR VENEER FINISH. SUFFIX WITH H FOR HPL FINISH
YY = COLOR SELECTION; REFER TO WWW.LEGRANDAV.COM FOR OPTIONS.



ACCESSORY PART NUMBER	ACCESSORY TYPE	COLOR CODE
ACC-LOCK1-BK	LOCK	BLACK
ACC-LOCK1-MA	LOCK	MODERN ALUMINUM (MATTE FINISH)
ACC-LOCK1-WH	LOCK	WHITE
ACC-HANDLE1-MA	HANDLE	MODERN ALUMINUM (MATTE FINISH)

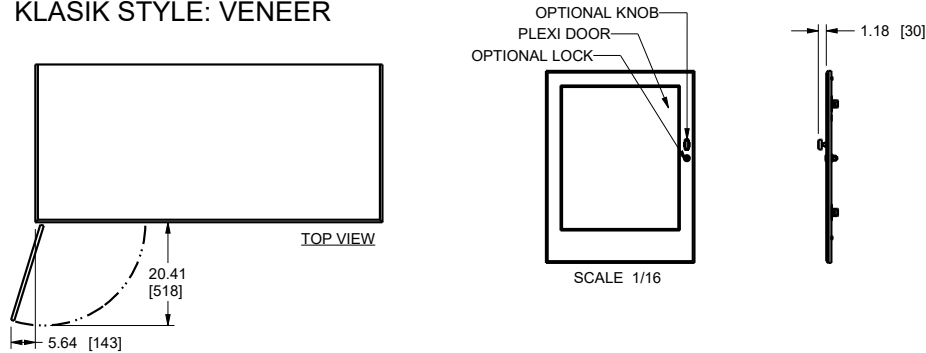


NOTE(S):
1) ALL DIMENSIONS SHOWN IN FORMAT: INCHES [MILLIMETERS]
2) TO ORDER, FULL PART NUMBER MUST BE GENERATED AT WWW.LEGRANDAV.COM.
3) 2 BAY CREDENZAS HAVE A LEFT AND RIGHT DOOR BY DEFAULT, 3 AND 1 BAY CREDENZAS HAVE LEFT DOORS BY DEFAULT

C5 SERIES

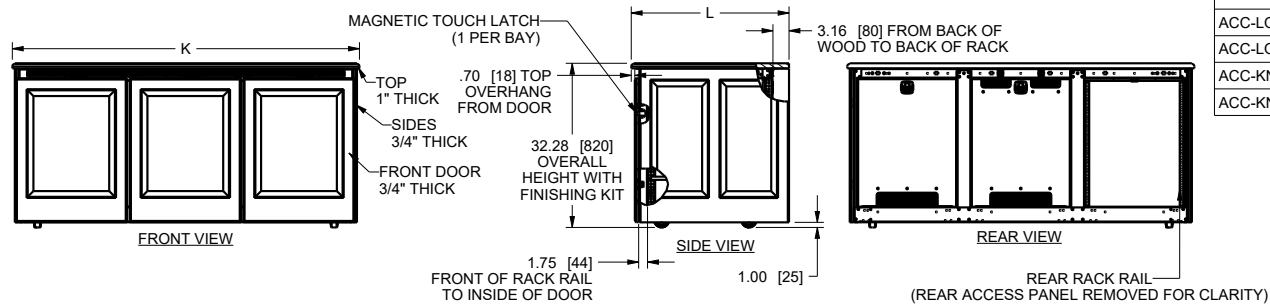
BASIC DIMENSIONS

KLASIK STYLE: VENEER

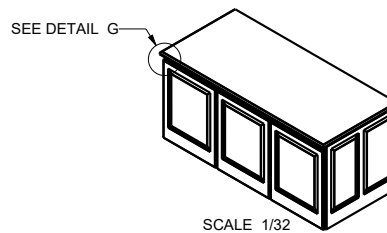
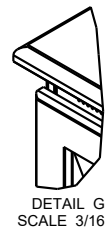


FINISHING KIT NUMBER	DOOR TYPE	"K" WIDTH	"L" DEPTH	COMPATIBLE WITH
C5K1A1KPVYY	PLEXI	23.6 [600]	27.2 [691]	C5-FF27-1
C5K1A1KSVYY	SOLID			
C5K2A1KPVYY	PLEXI	46.0 [1169]	27.2 [691]	C5-FF27-2
C5K2A1KSVYY	SOLID			
C5K3A1KPVYY	PLEXI	68.3 [1735]	27.2 [691]	C5-FF27-3
C5K3A1KSVYY	SOLID			
C5K1B1KPVYY	PLEXI	23.6 [600]	31.1 [790]	C5-FF31-1
C5K1B1KSVYY	SOLID			
C5K2B1KPVYY	PLEXI	46.0 [1169]	31.1 [790]	C5-FF31-2
C5K2B1KSVYY	SOLID			
C5K3B1KPVYY	PLEXI	68.3 [1735]	31.1 [790]	C5-FF31-3
C5K3B1KSVYY	SOLID			

YY = COLOR SELECTION; REFER TO WWW.LEGRANDAV.COM FOR OPTIONS.



ACCESSORY PART NUMBER	ACCESSORY TYPE	COLOR CODE
ACC-LOCK1-SN	LOCK	SATIN NICKEL
ACC-LOCK1-CB	LOCK	CLASSIC BRONZE
ACC-KNOB1-CN	KNOB	CLASSIC NICKEL
ACC-KNOB1-CB	KNOB	CLASSIC BRONZE



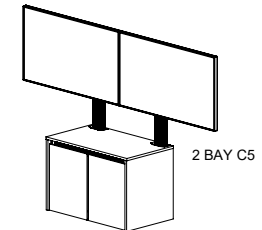
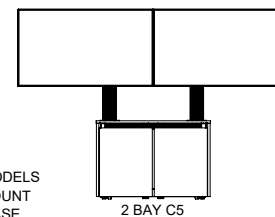
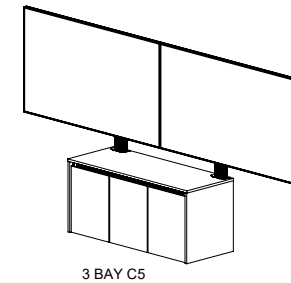
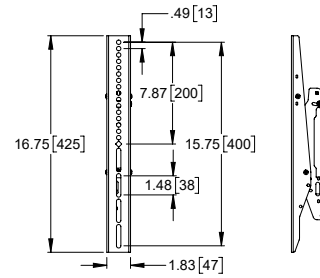
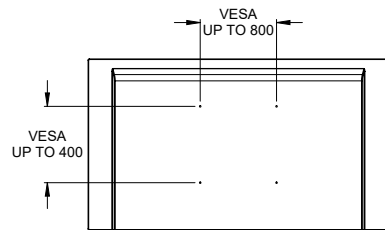
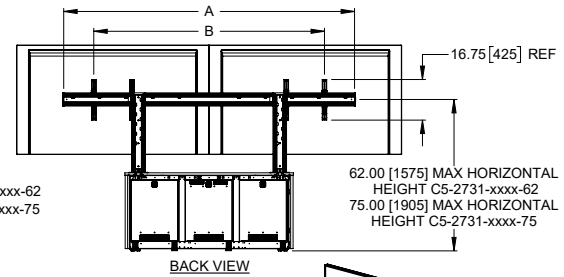
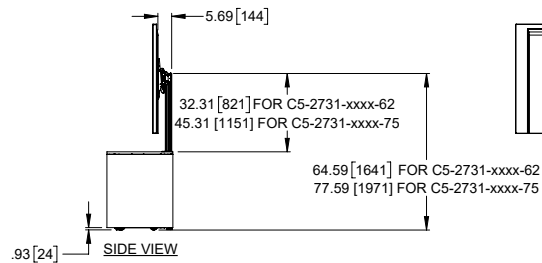
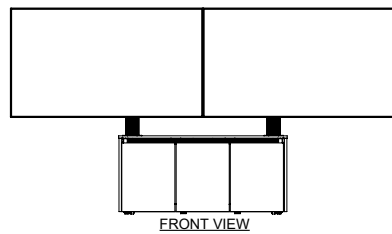
NOTE(S):

- 1) ALL DIMENSIONS SHOWN IN FORMAT: INCHES [MILLIMETERS]
- 2) TO ORDER, FULL PART NUMBER MUST BE GENERATED AT WWW.LEGRANDAV.COM.
- 3) 2 BAY CREDENZAS HAVE A LEFT AND RIGHT DOOR BY DEFAULT, 3 AND 1 BAY CREDENZAS HAVE LEFT DOORS BY DEFAULT

C5 SERIES

BASIC DIMENSIONS

MODEL NO.	COMPATIBLE WITH FRAME MODEL NO.	SINGLE OR DUAL DISPLAYS	DISPLAY SIZE	2 BAY MAX WEIGHT CAPACITY LB [KG]	3 BAY MAX WEIGHT CAPACITY LB [KG]	MIN WEIGHT IN C5 BASE	A HORIZONTAL BEAM LENGTH	B MAX DISTANCE OUTER VERTICALS
C5-2731-XLD1-62	C5-FF27-2	SINGLE	42[1067] TO 90 [2286]	150 [68]	150 [68]	25 [11]	48.00 [1219]	46.2 [1173]
C5-2731-XLD1-75	C5-FF31-2			150 [68]	150 [68]	25 [11]		
C5-2731-LD2-62	C5-FF27-3	DUAL	50 [1270] TO 65 [1651]	300 [136]	300 [136]	25 [11]	96.00 [2438]	94.2 [2393]
C5-2731-LD2-75	C5-FF31-3			250 [114]	300 [136]	25 [11]		
C5-2731-XLD2-62	C5-FF27-3	DUAL	66 [1676] TO 90 [2286]	N/A	300 [136]	25 [11]	120.00 [3048]	118.2 [3002]
C5-2731-XLD2-75	C5-FF31-3			N/A	300 [136]	25 [11]		



C5 MONITOR MOUNT ACCESSORIES		
	C5-2731-XLD1-62	C5-2731-XLD1-62
	C5-2731-LD2-62	C5-2731-XLD1-75
	C5-2731-LD2-75	C5-2731-XLD2-62
		C5-2731-XLD2-75
FUSION 8" ABOVE/BELOW SHELF	FCA800	FCA810
FUSION 14" ABOVE/BELOW SHELF	FCA801	FCA811
FUSION 18" BELOW SHELF	FCA802	FCA812
FUSION HUDDLESHOT ABOVE/BELOW CAMERA MOUNT	FCA800HS	FCA810HS
FUSION CONFERENCESHOT EPTZ ABOVE/BELOW CAMERA MOUNT	FCA800K	FCA810K
FUSION INTELLISHOT ABOVE/BELOW CAMERA MOUNT	FCA800E	FCA810E
FUSION LOW PROFILE ABOVE/BELOW SHELF	FCA803	FCA813
FUSION 8" CENTER CAMERA SHELF		FCA820
FUSION 14" CENTER CAMERA SHELF		FCA821
FUSION CHANNELS SPEAKER ADAPTER	FCA831	FCA841
FUSION CENTER CHANNEL SPEAKER ADAPTER	FCA832	FCA842
FUSION PROXIMITY SLIDING COMPONENT STORAGE PANEL		CSSMP15X10
FUSION UNIVERSAL COMPONENT CLAMP KIT		FCA520

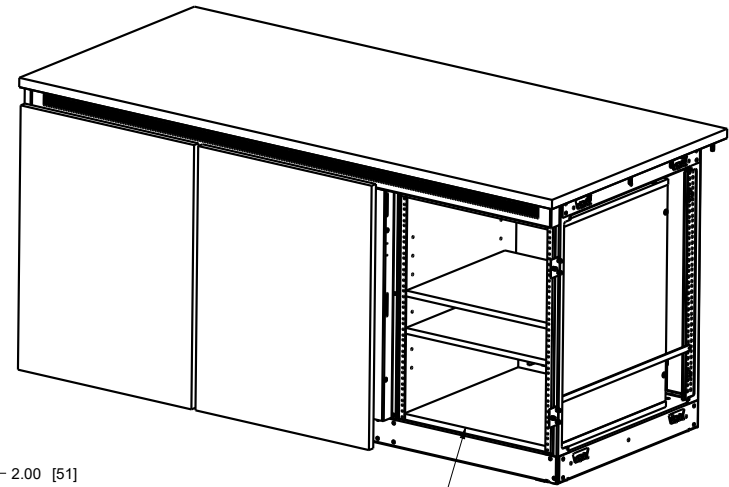
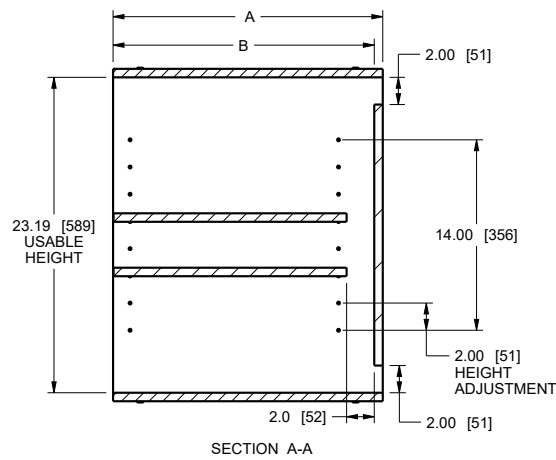
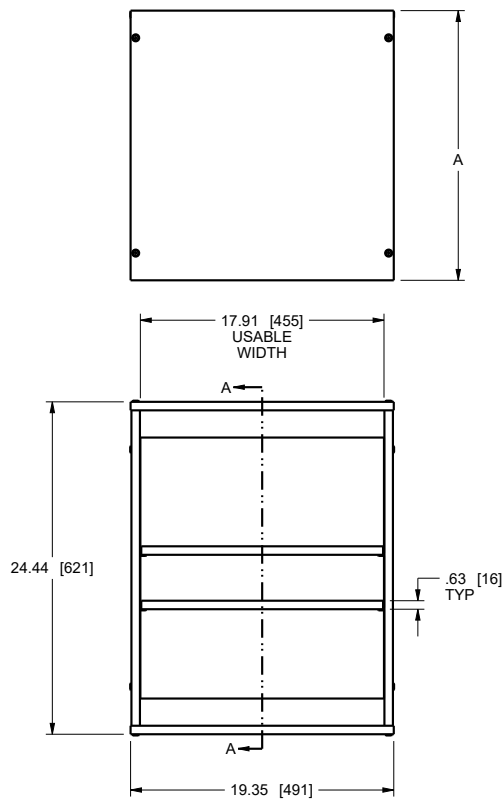
NOTE(S):

1. ALL DIMENSIONS SHOWN IN FORMAT: INCHES [MILLIMETERS]
2. MONITOR MOUNTS ONLY AVAILABLE FOR 27" and 31" DEEP MODELS
3. COMMON ACCESSORIES ARE LISTED IN THE "C5 MONITOR MOUNT ACCESSORIES" TABLE. FOR ADDITIONAL INFORMATION, PLEASE VISIT WWW.LEGRANDAV.COM

C5 SERIES

BASIC DIMENSIONS

PART NUMBER	"A" DEPTH	"B" USABLE DEPTH	COMPATIBLE FRAMES
C5-SH-SYS22	11.36 [289]	10.74 [273]	C5-FF22-1, C5-FF22-2, C5-FF22-3
C5-SH-SYS27	15.97 [406]	15.34 [390]	C5-FF27-1, C5-FF27-2, C5-FF27-3
C5-SH-SYS31	19.83 [504]	19.20 [488]	C5-FF31-1, C5-FF31-2, C5-FF31-3



SHELF SHOWN INSTALLED
IN C5 CREDENZA
WITH DOOR AND SIDE PANEL
REMOVED FOR CLARITY

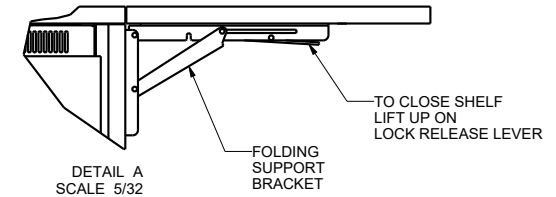
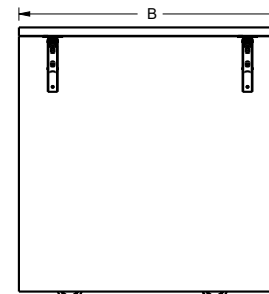
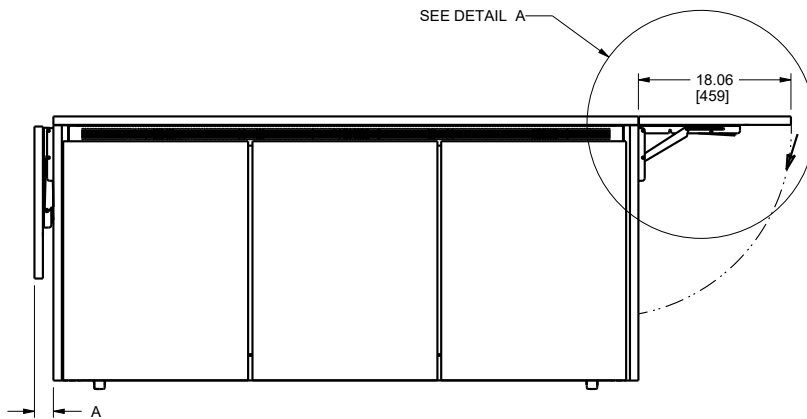
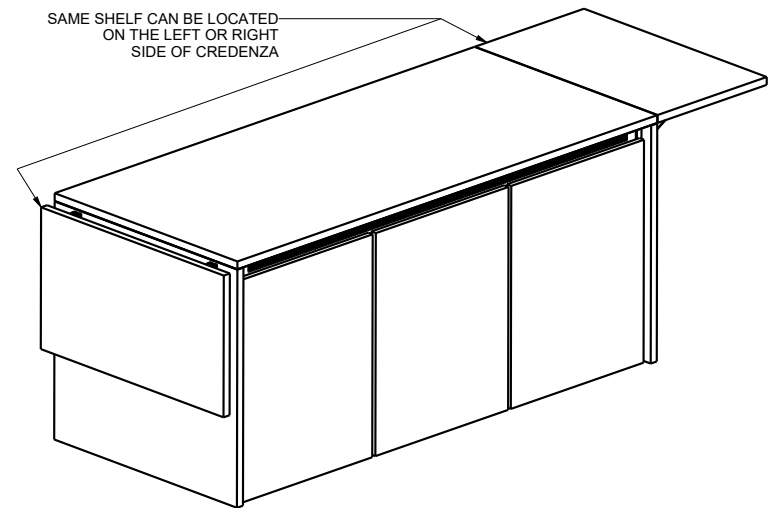
NOTE(S):
1) ALL DIMENSIONS SHOWN IN FORMAT:
INCHES [MILLIMETERS]

C5 SERIES

BASIC DIMENSIONS

PART NUMBER	COMPATIBLE FRAMES	COMPATIBLE STYLES	COMPATIBLE FINISH TYPE	"A" OVERHANG	"B" DEPTH
C5-MFS27-VXX	C5-FF27-1, C5-FF27-2, C5-FF27-3	MODERNO	VENEER	2.25 [57]	27.3 [694]
C5-MFS31-VXX	C5-FF31-1, C5-FF31-2, C5-FF31-3	MODERNO	VENEER	2.25 [57]	31.1 [790]
C5-MFS27-HXX	C5-FF27-1, C5-FF27-2, C5-FF27-3	MODERNO	HPL	2.25 [57]	27.3 [694]
C5-MFS31-HXX	C5-FF31-1, C5-FF31-2, C5-FF31-3	MODERNO	HPL	2.25 [57]	31.1 [790]
C5-SFS27-VXX	C5-FF27-1, C5-FF27-2, C5-FF27-3	SOTA	VENEER	2.25 [57]	26.6 [676]
C5-SFS31-VXX	C5-FF31-1, C5-FF31-2, C5-FF31-3	SOTA	VENEER	2.25 [57]	30.4 [773]
C5-SFS22-HXX	C5-FF22-1, C5-FF22-2, C5-FF22-3	SOTA	HPL	2.25 [57]	21.9 [557]
C5-SFS27-HXX	C5-FF27-1, C5-FF27-2, C5-FF27-3	SOTA	HPL	2.25 [57]	26.6 [676]
C5-SFS31-HXX	C5-FF31-1, C5-FF31-2, C5-FF31-3	SOTA	HPL	2.25 [57]	30.4 [773]
C5-KFS27-VXX	C5-FF27-1, C5-FF27-2, C5-FF27-3	KLASIK	VENEER	2.25 [57]	27.2 [691]
C5-KFS31-VXX	C5-FF31-1, C5-FF31-2, C5-FF31-3	KLASIK	VENEER	2.25 [57]	31.1 [790]

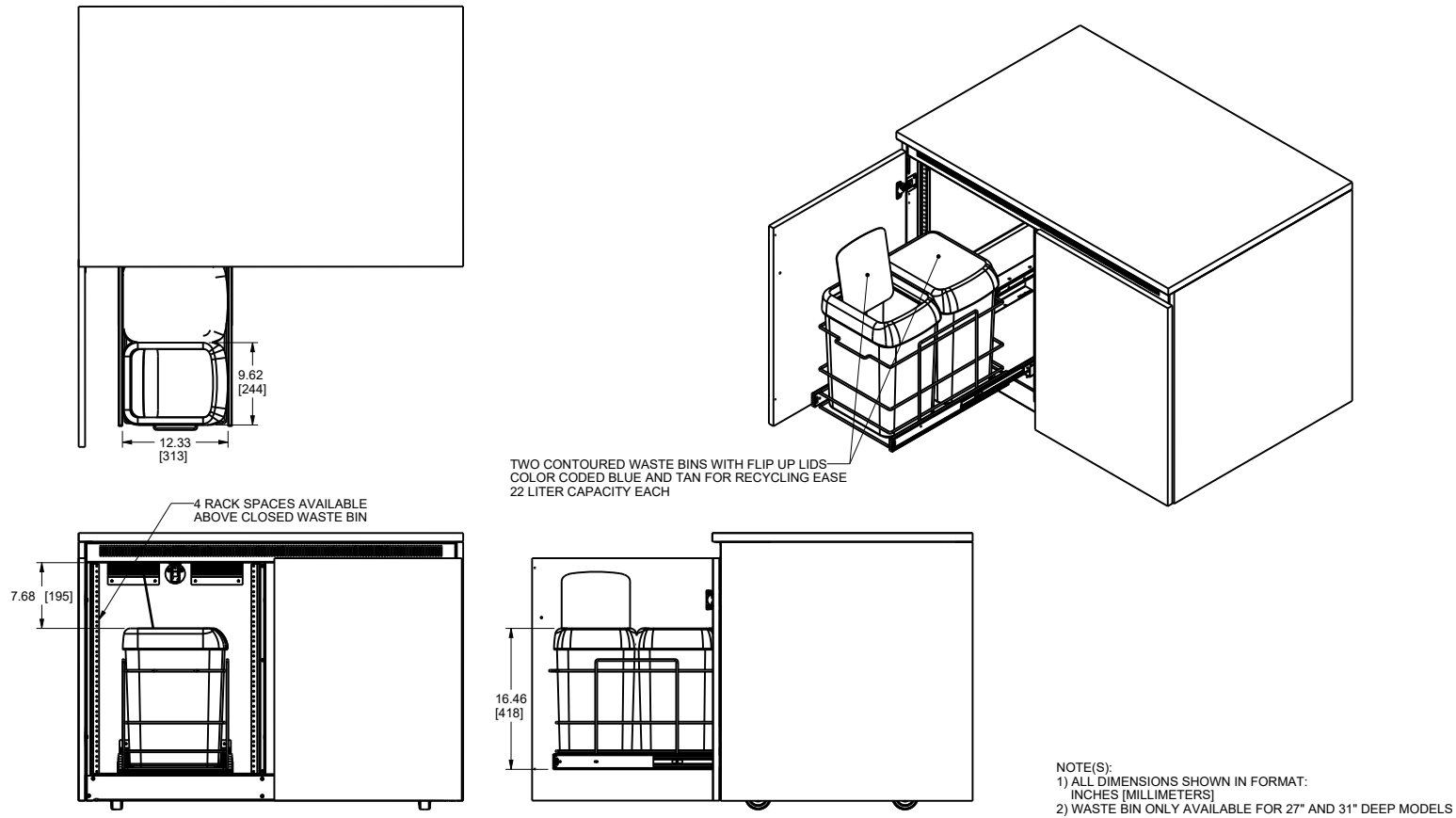
XX=COLOR DESIGNATION; REFER TO
WWW.LEGRANDAV.COM FOR OPTIONS



NOTE(S):
1) ALL DIMENSIONS SHOWN IN FORMAT:
INCHES [MILLIMETERS]

C5 SERIES

BASIC DIMENSIONS



LEGRAND | AV COMMERCIAL BRANDS
C2G | Chief | Da-Lite | Luxul | Middle Atlantic | Vaddio | Wiremold

WHAT GREAT SYSTEMS ARE BUILT ON™ | legrandav.com

USA 800.266.7225 av.middleatlantic.support@legrand.com CANADA 888.766.9770 av.middleatlantic.support@legrand.com

©2023 Legrand AV Inc. 220793 96-01195 Rev B 8/23 Middle Atlantic is a registered trademark of Legrand AV Inc. All other brand names or marks are used for identification purposes and are trademarks of their respective owners. All patents are protected under existing designations. Other patents pending.