

ASSEMBLY/INSTALLATION INSTRUCTIONS

CLH SERIES CABLE LADDER ELEVATION KIT





PRODUCT FEATURES

- Available in 3 adjustable heights 5" to 7", 8" to 12" & 13" to 18" (adjusts in 1/2" increments)
- Adjustable width allows for multi-location mounting on racks and enclosures
- Height markings allow for easy installation in the field
- 200 lb. weight capacity over an 8 foot span

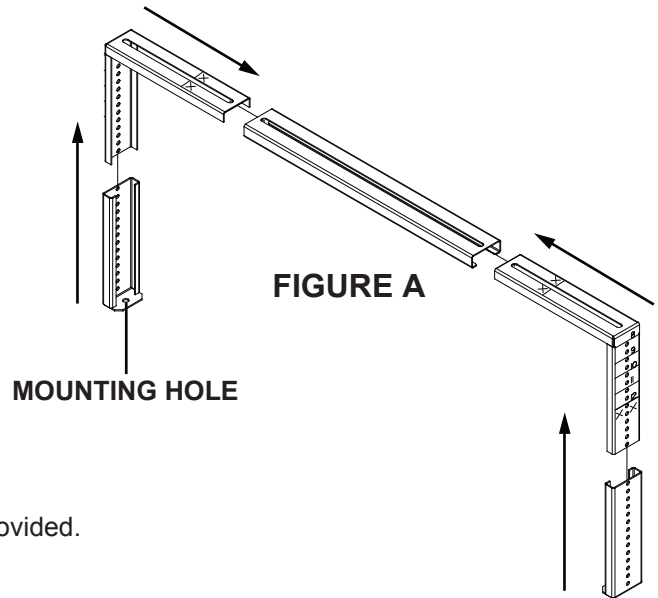
TOOLS REQUIRED

- #2 Phillips Driver
- 3/8" Wrench
- 1/2" Wrench

SUPPLIED HARDWARE

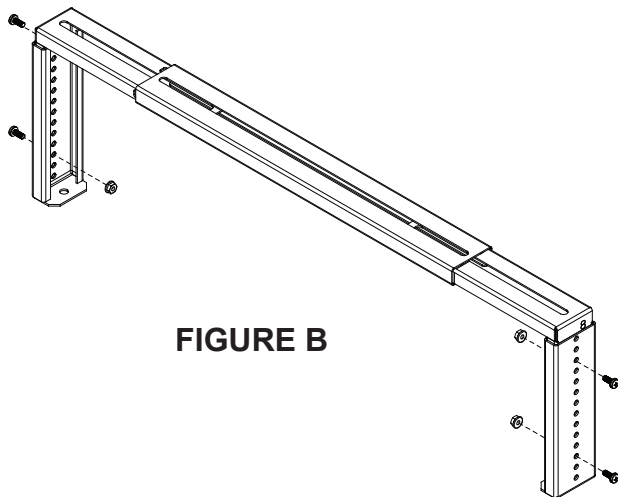
<u>#10 SCREW</u>	<u>QTY</u>	<u>#10 NUT</u>	<u>QTY</u>
	4		4
<u>#5/16 FLANGE NUT</u>	<u>QTY</u>	<u>#5/16 NUT</u>	<u>QTY</u>
	2		4

1) The cable ladder elevation kit comes pre-assembled from the factory. Figure A shows the kit unassembled.



NOTE: The 'X X' on the telescoping side/top beams indicates the maximum extension. No part of the 'X X' can be displayed to ensure weight capacity.

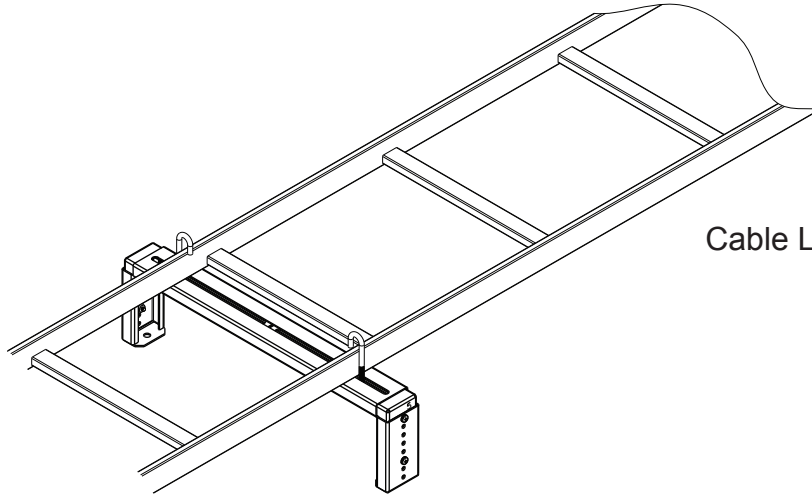
2) Select your desired elevation height using the height indicators provided.



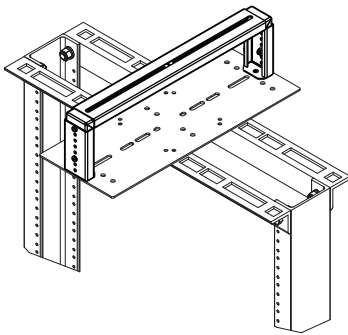
3) Install and tighten #10 screws and nuts with 3/8" wrench/Phillips driver as shown (four places). **(FIGURE B)**

4) Install and tighten the elevation kit to the rack/enclosure using provided #5/16 flange nuts and bolts with a 1/2" wrench (two places).

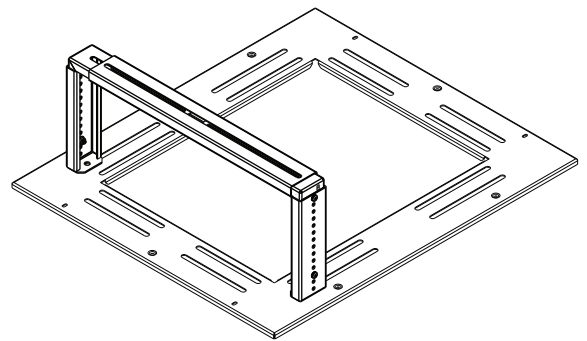
VERSATILE DESIGN ALLOWS FOR MOUNTING ON RACKS AND ENCLOSURES



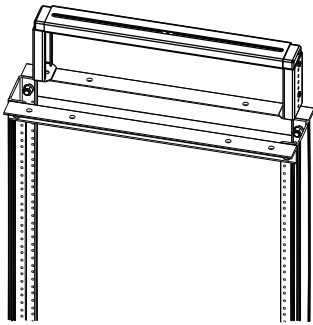
Cable Ladder attached to the CLH-ELS



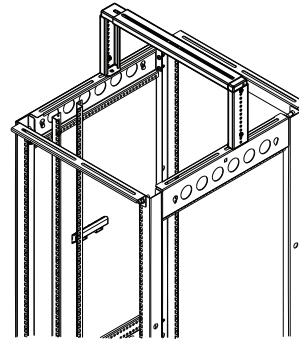
CLH-ELS shown on the MK-LA



CLH-ELS shown on the MW-LA



CLH-ELS shown on the 2-Post Series



CLH-ELS shown on the 4-Post Series

WARRANTY

Middle Atlantic Products, Inc. (the "Company") warrants the CLH Series Cable Ladder Elevation Kit to be free from defects in material or workmanship under normal use and for the lifetime of the product.

The Company's entire liability to the purchaser, and the purchaser's (or any other party's) sole and exclusive remedy, under this warranty shall be limited, at the Company's option, to either (a) return of and refund of the price paid for, or (b) repair or replacement at the Company's factory of the products purchased, or any part or parts thereof, which the Company has determined to be defective after inspection thereof at the Company's factory. This warranty does not cover damage due to acts of God, accident, misuse, abuse or negligence by parties other than the Company, or any modification or alteration of the products. In addition, this warranty does not cover damage due to improper handling, assembly, installation or maintenance.

THIS WARRANTY IS IN LIEU OF ALL OTHER WARRANTIES OF ANY KIND, EITHER EXPRESSED OR IMPLIED, INCLUDING, BUT NOT LIMITED TO, IMPLIED WARRANTIES OF MERCHANTABILITY AND FITNESS FOR A PARTICULAR PURPOSE.

TO THE MAXIMUM EXTENT PERMITTED BY APPLICABLE LAW, IN NO EVENT SHALL THE COMPANY BE LIABLE FOR ANY SPECIAL, INCIDENTAL, INDIRECT, OR CONSEQUENTIAL DAMAGES WHATSOEVER (INCLUDING, WITHOUT LIMITATION, DAMAGES FOR LOSS OF BUSINESS PROFITS, BUSINESS INTERRUPTION OR ANY OTHER PECUNIARY LOSS) ARISING OUT OF THE USE OF THE PRODUCTS PURCHASED, EVEN IF THE COMPANY HAS BEEN ADVISED OF THE POSSIBILITY OF SUCH DAMAGES. THE COMPANY'S LIABILITY TO THE PURCHASER (OR ANY OTHER PARTY) HEREUNDER, IF ANY, SHALL IN NO EVENT EXCEED THE PURCHASE PRICE OF THE PRODUCTS PAID TO THE COMPANY.

Corporate Headquarters

Corporate Voice 973-839-1011 - Fax 973-839-1976 / International Voice +1 973-839-8821 - Fax +1 973-839-4982
middleatlantic.com - info@middleatlantic.com

Middle Atlantic Canada

Voice 613-836-2501 - Fax 613-836-2690 / middleatlantic.ca - customerservicecanada@middleatlantic.ca

Factory Distribution

USA: NJ - CA - IL Canada: ON - BC

At Middle Atlantic Products we are always listening. Your comments are welcome.