

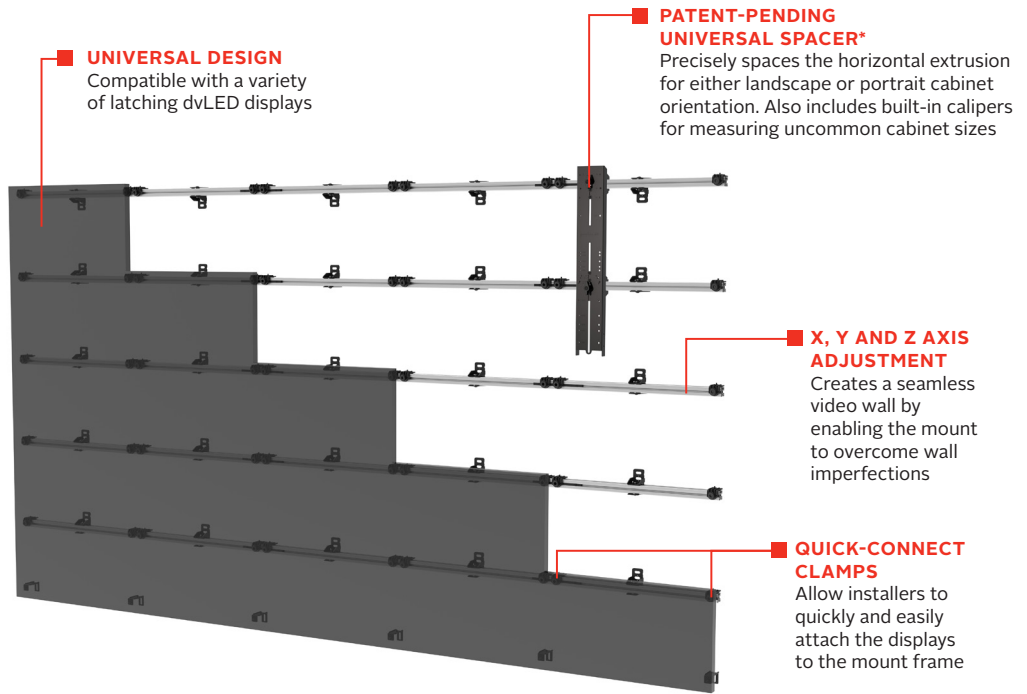
DS-LEDUNV Models



SEAMLESS KITTED UNIVERSAL dvLED Mounting System

The Peerless-AV® SEAMLESS Kitted Universal dvLED Mounting System features a slim and versatile design. This cost-effective, kitted solution is enabled by a patent-pending universal spacer that makes it adaptable for most latching dvLED displays. The display adaptors and mount frame provide X, Y and Z axis adjustments to overcome uneven walls and to ensure the video wall remains flat. The lightweight aluminium frame quickly mounts to the wall and the quick-connect clamps allow installers to easily secure the displays to the mount frame. Compact packaging reduces warehouse space and generally allows for parcel shipping, which lowers the overall delivery costs. Quickly and easily build the perfect dvLED video wall for a corporate reception, retail display, hospitality venue, entertainment setting and much more with Peerless-AV's SEAMLESS Kitted Universal dvLED Mounting System.

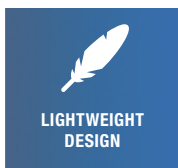
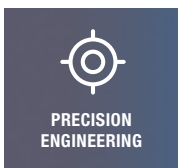
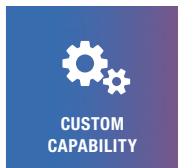
- Contact a Peerless-AV® Sales Representative for the current list of compatible latching dvLED display models
- 1:1 and preconfigured models ensure the right solution is available to meet your needs
- Condensed packaging reduces environmental impact, shipping costs, and warehouse space when storing
- Open architecture provides ease of cable management
- Optional Trim Kit Accessory is compatible with most displays (DS-LEDTK Models)



DS-LEDUNV610-5X5 shown

**Universal spacer (DS-LEDUNVSPACER) is included with the preconfigured models only, sold separately with the 1:1 models.*

SEAMLESS by Peerless-AV® - dvLED Video Wall Integration Program offers:



info@peerless-av.com
peerless-av.com/SEAMLESS

peerless-AV®
Driving Technology Through Innovation

Model Numbers

WARRANTY: 5 Years

DS-LEDUNV Models SEAMLESS Kitted Universal dvLED Mounting System

Product Specifications

1:1 MODELS	DIMENSIONS (W x H x D)	PRODUCT WEIGHT	LOAD CAPACITY	FINISH	COLOUR
DS-LEDUNV610	610 x 81 x 70-89mm (24" x 3.2" x 2.74"-3.49")	1.3kg (2.8lb)	23.6kg (52lb) per display	Powder Coat and Clear Anodised Finish	Black Brackets, Silver Extrusions
DS-LEDUNV960	960 x 81 x 70-89mm (37.8" x 3.2" x 2.74"-3.49")	1.5kg (3.2lb)			
DS-LEDUNV1220	1220 x 81 x 70-89mm (48" x 3.2" x 2.74"-3.49")	1.7kg (3.8lb)			
DS-LEDUNVSPACER	1187 x 104 x 81mm (46.7" x 4.1" x 3.2")	6.5kg (14.4lb)	NA	Powder Coat	Black
PRECONFIGURED MODELS	<i>Product height is dependent on the display height.</i>				
DS-LEDUNV610-4x4	2,438 x VARIES x 70-89mm (96" x VARIES x 2.74"-3.49")	15.1kg (33lb)	23.6kg (52lb) per display	Powder Coat and Clear Anodised Finish	Black Brackets, Silver Extrusions
DS-LEDUNV610-5x5	3,048 x VARIES x 70-89mm (120" x VARIES x 2.74"-3.49")	26.8kg (59lb)			
DS-LEDUNV610-6x6	3,658 x VARIES x 70-89mm (144" x VARIES x 2.74"-3.49")	34.0kg (75lb)			
DS-LEDUNV610-8x8	4,877 x VARIES x 70-89mm (192" x VARIES x 2.74"-3.49")	60.7kg (133lb)			
DS-LEDUNV960-3x3	2,880 x VARIES x 70-89mm (113.4" x VARIES x 2.74"-3.49")	14.1kg (31lb)			
DS-LEDUNV960-4x4	3,840 x VARIES x 70-89mm (151.2" x VARIES x 2.74"-3.49")	24.8kg (55lb)			
DS-LEDUNV960-5x5	4,800 x VARIES x 70-89mm (189" x VARIES x 2.74"-3.49")	32.8kg (72lb)			
DS-LEDUNV1220-2x2	2,438 x VARIES x 70-89mm (96" x VARIES x 2.74"-3.49")	6.3kg (14lb)			
DS-LEDUNV1220-3x3	3,658 x VARIES x 70-89mm (144" x VARIES x 2.74"-3.49")	14.2kg (31lb)			
DS-LEDUNV1220-4x4	4,877 x VARIES x 70-89mm (192" x VARIES x 2.74"-3.49")	24.8kg (55lb)			

Package Specifications

1:1 MODELS	PACKAGE SIZE (W x H x D)	PACKAGE SHIP WEIGHT	PACKAGE UPC CODE	PACKAGE CONTENTS	UNITS IN PACKAGE
DS-LEDUNV610			735029355779	Wall Plate, Extrusion & Joiners, Quick-Connect Adaptor Clamps, Standoff and Mounting Hardware	1
DS-LEDUNV960			735029355823		
DS-LEDUNV1220			735029355731		
DS-LEDUNVSPACER			735029355724	Universal Spacer, Shims and Wrench	
PRECONFIGURED MODELS	<i>*Universal spacer (DS-LEDUNVSPACER) is included with the preconfigured models only, sold separately with the 1:1 models.</i>				
DS-LEDUNV610-4x4			735029355786	Universal Spacer, Wall Plate, Extrusion & Joiners, Quick-Connect Adaptor Clamps, Standoff and Mounting Hardware	1
DS-LEDUNV610-5x5			735029355793		
DS-LEDUNV610-6x6			735029355809		
DS-LEDUNV610-8x8			735029355816		
DS-LEDUNV960-3x3			735029355830		
DS-LEDUNV960-4x4			735029355847		
DS-LEDUNV960-5x5			735029355854		
DS-LEDUNV1220-2x2			735029355748		
DS-LEDUNV1220-3x3			735029355755		
DS-LEDUNV1220-4x4			735029355762		

Accessories

- DS-LEDTK Models:** Universal Trim Kit for dvLED Video Walls 99-160mm (3.9" to 6.3") Deep
- DS-LEDUNVEC3X3:** End caps for 30x30 extrusion (Pair)
- DS-LEDUNVWP:** Adjustable Wall Plate for DS-LEDUNV

Components:

ALUMINIUM EXTRUSION CUT TO LENGTH BY INSTALLER



WALL PLATE



ADAPTOR

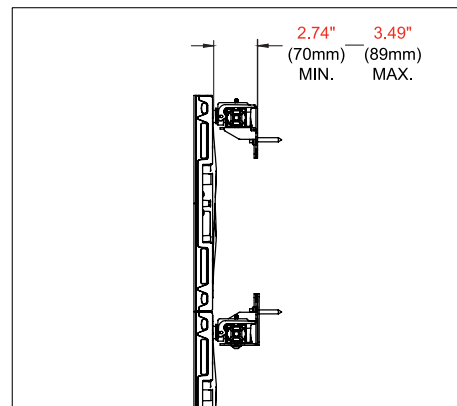


STANDOFF



PATENT-PENDING UNIVERSAL SPACER

Included with preconfigured models only,
sold separately with 1:1 models



SIDE VIEW WITH dvLED DISPLAY

All dimensions
= inch (mm)

Architect Specifications

The SEAMLESS Kitted Universal dvLED Mounting System shall be a Peerless-AV DS-LEDUNV and shall be located where indicated on the plans. Assembly and installation shall be done according to instructions provided by the manufacturer.

Visit peerless-av.com to see the complete line of AV solutions from Peerless-AV, including outdoor displays, kiosks, display mounts, projector mounts, carts/stands, and a full assortment of accessories.

Peerless-AV
2300 White Oak Circle
Aurora, IL 60502
USA
(800) 865-2112
(630) 375-5100

Peerless-AV EMEA
Unit 2 Curo Park
Frogmore, St. Albans
Hertfordshire, AL2 2DD
United Kingdom
+44 (0) 1923 200 100

Peerless-AV B.V.
Papendorpseweg 75
3528 BJ Utrecht
The Netherlands
+31 (0) 70 770 8037

Peerless-AV Latin America
Av. de las Industrias 413
Parque Industrial Escobedo
General Escobedo, N.L.,
México, 66062
+52 (81) 8384-8300

