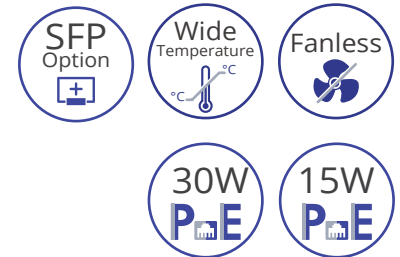


# EasyPoE Lite Series

NEMA-Rated Indoor/Outdoor Complete Security Solution  
Cabinet Series



## Product Highlights

### ➔ NEMA 4X Rated Indoor/Outdoor Enclosure for Harsh Environments

- Wide operating temperature -40 to 75°C (-40 to 167°F)
- Fanless, integrated design
- Weather-resistant, anti-corrosion, and vandal-resistant design

### ➔ Time/Cost Saving Features

- Integrated components ready out of the box
- Wall and pole mounting options
- Preinstalled bulkheads for cable connections

### ➔ Replaceable Hardened Components

- PoE switch with 4 or 8-port options, at full 30W per port
- Outdoor-rated, IP67 power supply
- Optional surge suppressor

## Overview

EtherWAN's EasyPoE Lite series is an integrated solution that combines a PoE switch, power supply, and a surge suppressor, all in a single, secure, NEMA 4X rated cabinet enclosure. Equipped with 4 or 8 gigabit PoE ports that provide a full 30W max output per port (120W for 4-port and 240W for 8-port), the EasyPoE Lite series provides the power, time-saving design, and convenience to support a wide variety of applications including surveillance and other networking applications.

## Ordering Information

### Model

<b>EASYP0E4B</b>	4-Port 10/100/1000BASE-T PoE + 1-Port 10/100/1000BASE-T RJ45
<b>EASYP0E4P</b>	4-Port 10/100/1000BASE-T PoE + 1-Port 10/100/1000BASE-T RJ45 + Surge Suppressor
<b>EASYP0E8B</b>	8-Port 10/100/1000BASE-T PoE + 2-Port 1000BASE SFP
<b>EASYP0E8P</b>	8-Port 10/100/1000BASE-T PoE + 2-Port 1000BASE SFP + Surge Suppressor
<b>EASYP0E4B-PMT</b>	4-Port 10/100/1000BASE-T PoE + 1-Port 10/100/1000BASE-T RJ45 w/ Pole Mount Kit
<b>EASYP0E4P-PMT</b>	4-Port 10/100/1000BASE-T PoE + 1-Port 10/100/1000BASE-T RJ45 + Surge Suppressor w/ Pole Mount Kit
<b>EASYP0E8B-PMT</b>	8-Port 10/100/1000BASE-T PoE + 2-Port 1000BASE SFP w/ Pole Mount Kit
<b>EASYP0E8P-PMT</b>	8-Port 10/100/1000BASE-T PoE + 2-Port 1000BASE SFP + Surge Suppressor w/ Pole Mount Kit
<b>EASYP0EPMT</b>	Pole Mounting Kit for EasyPoE Lite Series

# Hardware Specifications

Interface		+
<b>Ethernet Port</b>	10/100/1000BASE-T: 5 or 8 ports 1000BASE SFP: 2 ports (only for 8-port)	
<b>LED Indicators</b>	Per Unit: Power 1, Power 2, Power 3, Relay Per Port: Link/Activity, PoE	
<b>Alarm Contact</b>	1 x Relay Output, 1A @ 24VDC	
Technology		+
<b>Standards</b>	IEEE 802.3 10BASE-T IEEE 802.3u 100BASE-TX IEEE 802.3ab 1000BASE-T IEEE 802.3x full duplex and flow control IEEE 802.3af/at Power over Ethernet	
<b>Forward/Filtering Rate</b>	14,880pps for 10Mbps 148,880pps for 100Mbps 1,488,000pps for 1000Mbps	
<b>Processing Type</b>	Store-and-Forward Auto-Negotiation Half-duplex back-pressure full-duplex flow control Auto MDI/MDIX	
<b>Address Table Size</b>	2K (4-port) / 11K (8-port)	
Power		+
<b>Input</b>	100-277VAC	
<b>PoE Power Budget</b>	120W (4-port), 240W (8-port) @ 75°C	
Physical		+
<b>Casing Material</b>	Polycarbonate (PC)	
<b>IP Rating</b>	IP67	
<b>NEMA Rating</b>	NEMA 4/4X	
<b>Impact Protection</b>	IK10	
<b>Dimensions</b>	11.75" x 5" x 13.81" (W x D x H)	
<b>Weight</b>	8.9lbs	
<b>Installation</b>	Wall or Pole Mounting	

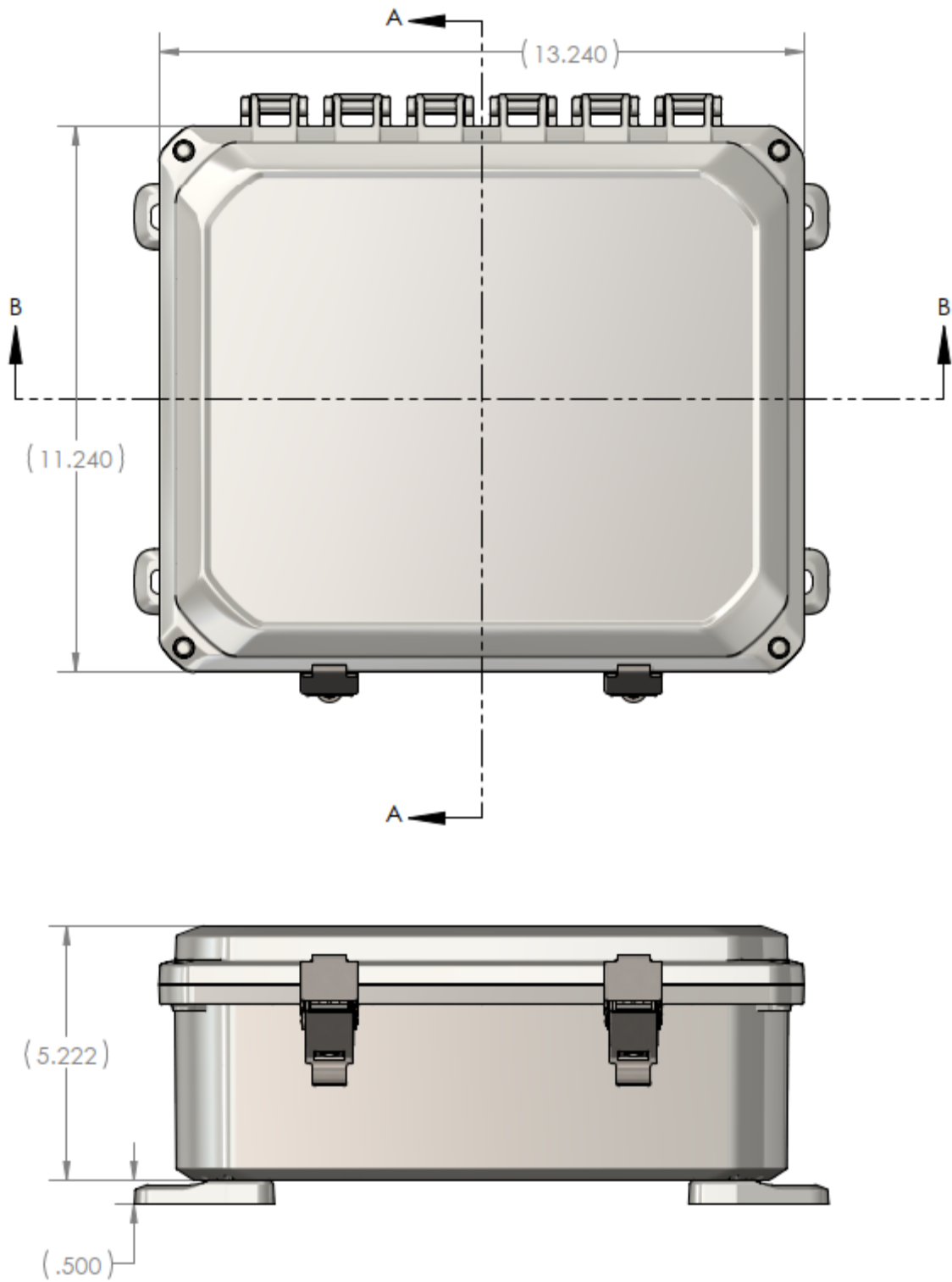
Environmental		+
<b>Operating Temp.</b>	-40 to 75°C (-40 to 167°F)	
<b>Storage Temp.</b>	-40 to 85°C (-40 to 185°F)	
<b>Relative Humidity</b>	10% to 95% (non-condensing)	
<b>MTBF</b>	450,000 hours at 50°C	

Regulatory		+
<b>ISO</b>	Manufactured in ISO 9001 facility	
<b>EMI</b>	FCC Part 15B Class A EN 55032/35	
<b>EMS</b>	EN 61000-4-2 (ESD) EN 61000-4-4 (Burst) EN 61000-4-5 (Surge)	
<b>Safety</b>	UL 60950-1	
<b>Vibration</b>	IEC 60068-2-6	
<b>Shock</b>	IEC 60068-2-27	

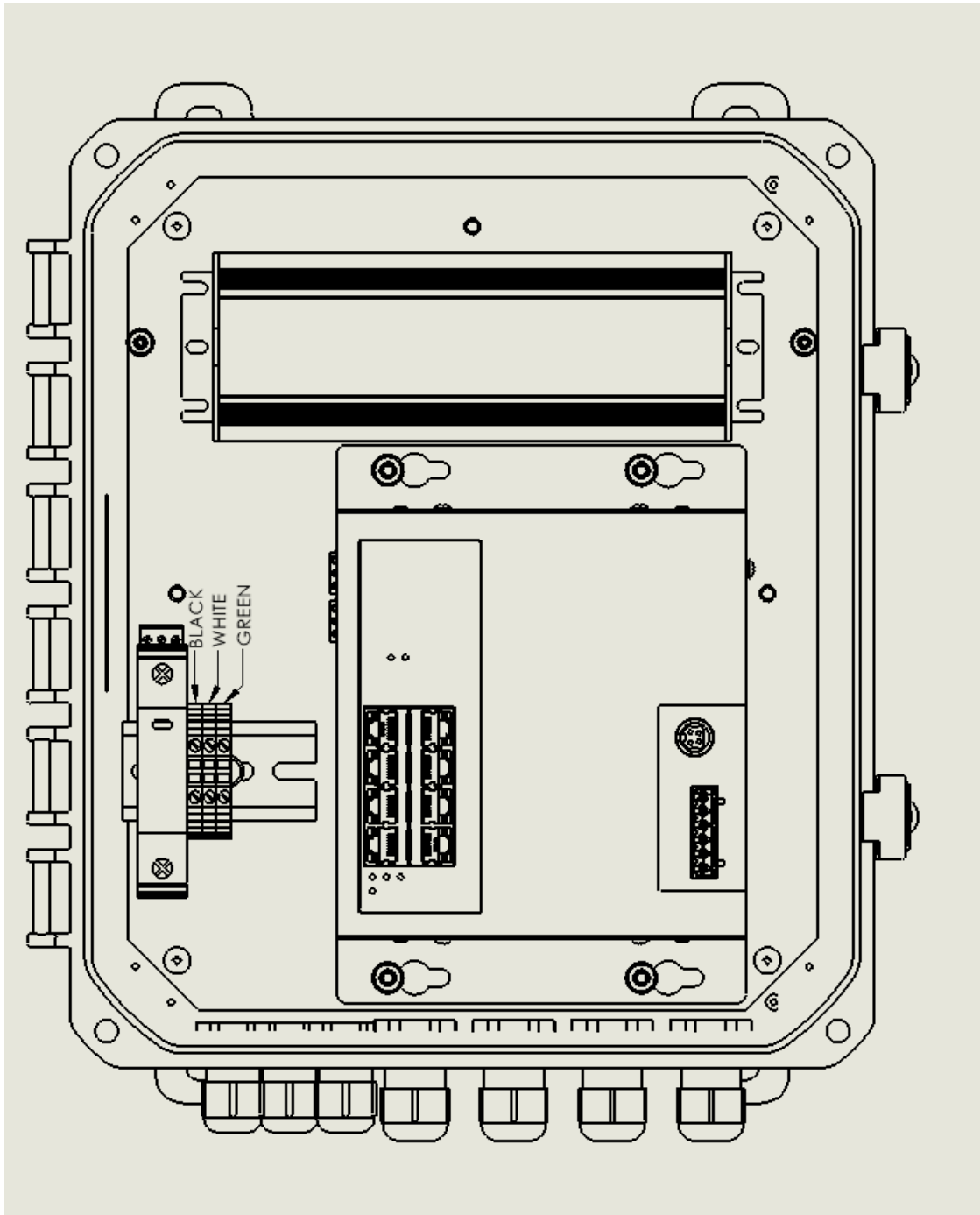
Warranty		+
<b>Length</b>	3 Years	
<b>Details</b>	<a href="http://www.etherwan.com/support/warranty-policy">www.etherwan.com/support/warranty-policy</a>	

What's Included		+
<b>Device</b>	EasyPoE Lite	
<b>Installation</b>	Wall Mounting Adapter	
<b>Documentation</b>	Quick Install Guide	

# Dimensions



# Layout



## Accessories

Hardened Gigabit SFP Modules +

<https://www.etherwan.com/us/products/sfp-fiber-transceiver>