



---

INSTRUCTION BOOK FOR  
FullVision

---



## Disclaimer

---

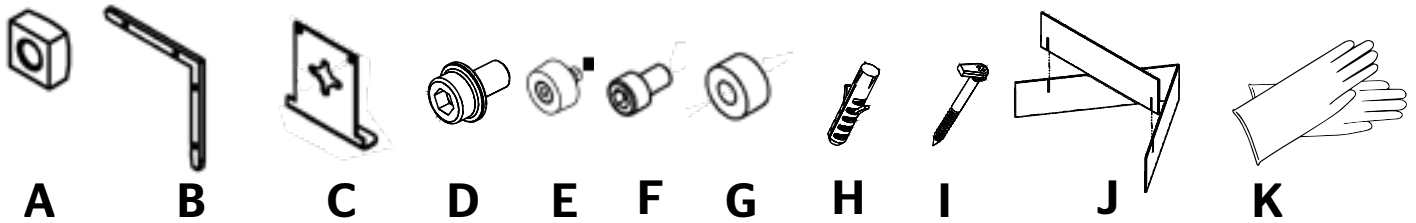
Milestone and its affiliated corporations and subsidiaries (collectively "Milestone"), intend to make this manual accurate and complete. However, Milestone makes no claim that the information contained herein covers all details, conditions or variations, nor does it provide for every possible contingency in connection with the installation or use of this subject to change without notice or obligation of any kind. Milestone makes no

representation of warranty, expressed or implied, regarding the information contained herein. Milestone assumes no responsibility for accuracy, completeness or sufficiency of the information contained in this document.

Da-Lite® is a registered trademark of Milestone AV Technologies. All rights reserved.

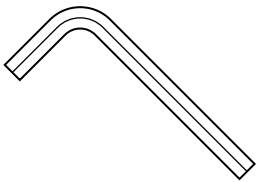
## Included Hardware

---

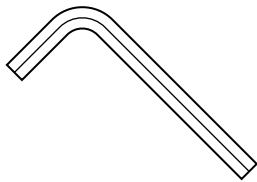


## Tools Provided for Installation

---



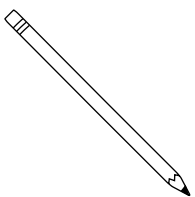
3mm Hex Key



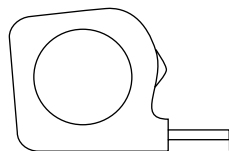
5mm Hex Key

## Tools Required for Installation (not provided)

---

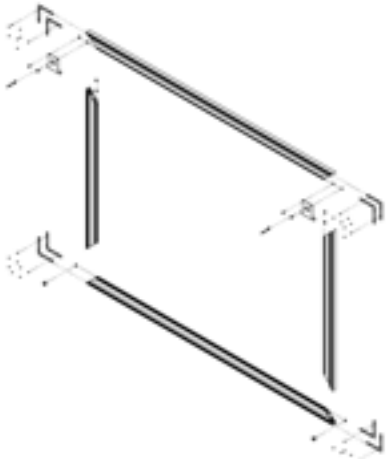


Pencil

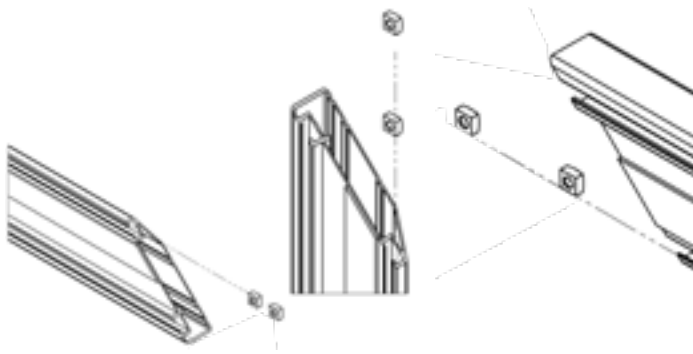


Tape Measure

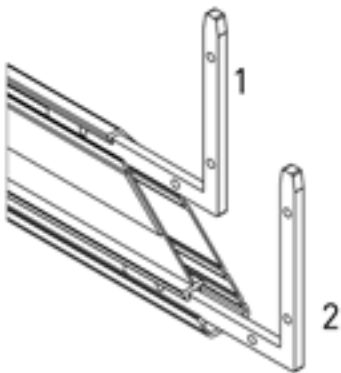
# Frame Assembly



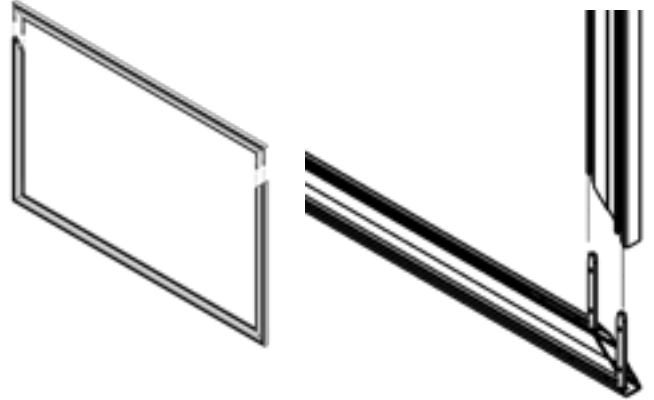
1. Unwrap the frame pieces. Before assembling the frame pieces, add 2 nuts (A) to either end of the top frame section and the top of the side frame for the mounting bracket and add 2 nuts to the bottom frame.



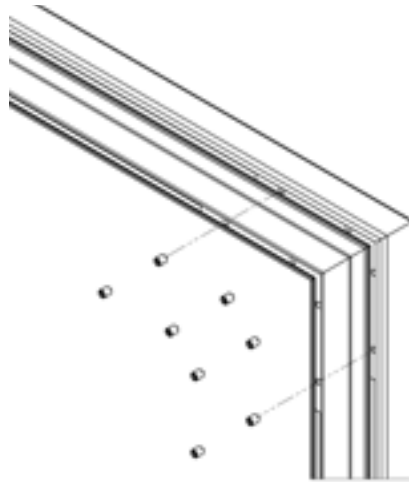
2. Add 2 frame connectors (B) to each corner.



3. Slide the frame sections together at the corners.



4. Secure the frame pieces by tightening the hex nut screws which are already inserted in the frame.

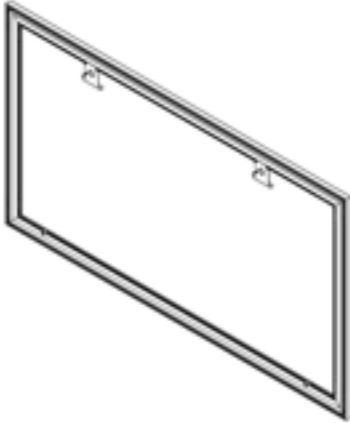


# Installation

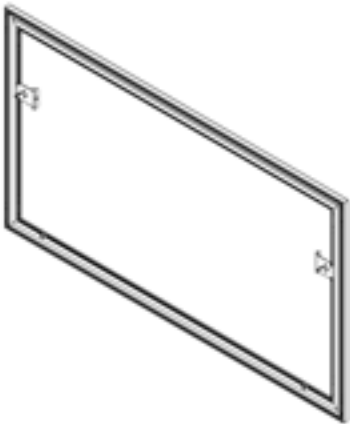
Decide on the preferred installation method. You can position the mounting bracket of the FullVision on the top frame, side frame, or above the top frame to fly the screen.

**NOTE:** For screens 160" and wider positioning the brackets on the side frame sections is not an option.

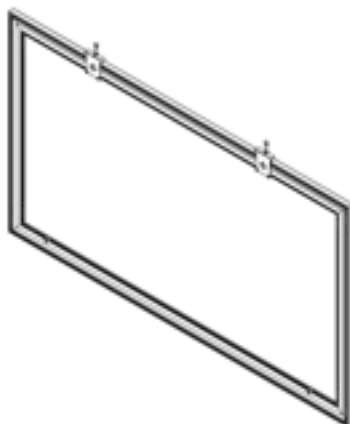
Top frame



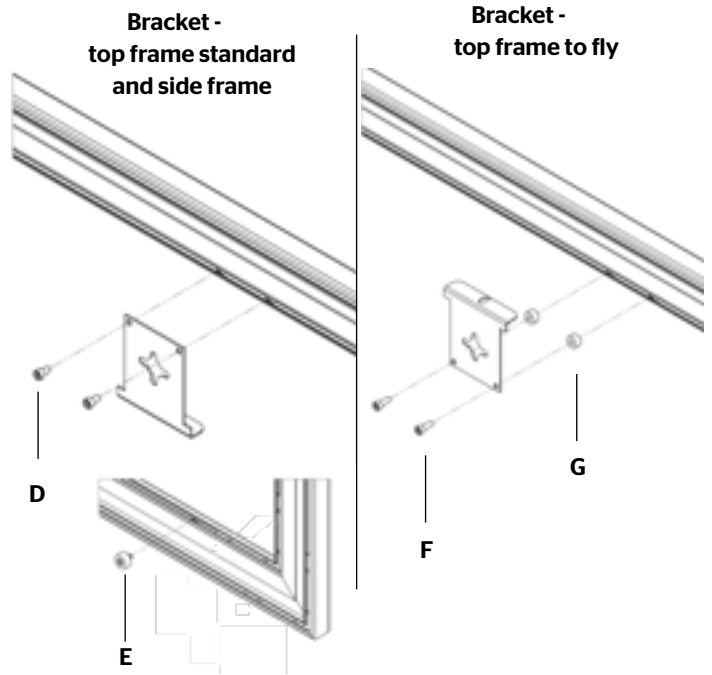
Side frame



Top frame (to fly)

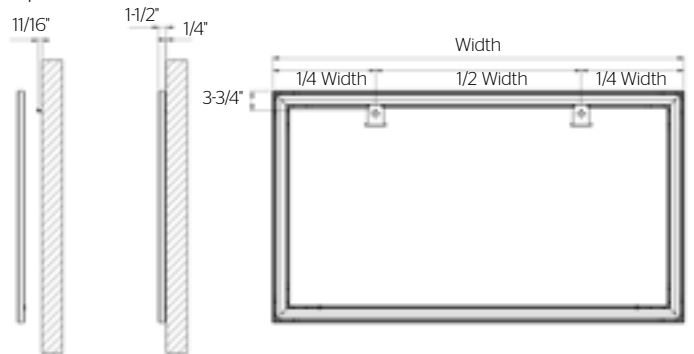


- Secure the mounting bracket (C) with provided screws to the previously inserted nuts.

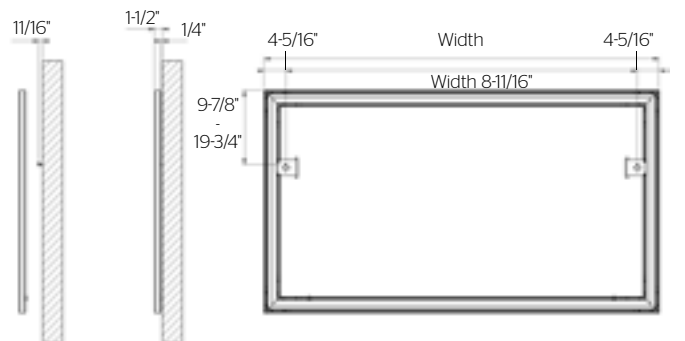


- Measure where to position the brackets. Drill holes and position the supplied screws (H and I). Install the frame as a test first.

Top bracket method

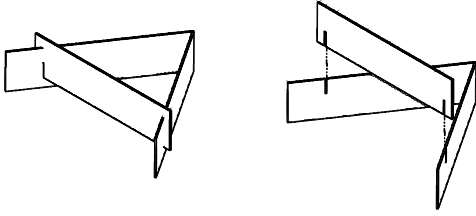


Side bracket method

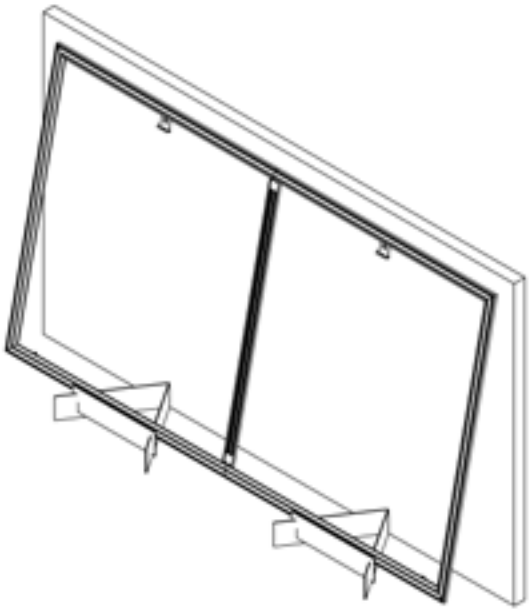


## Installation (continued)

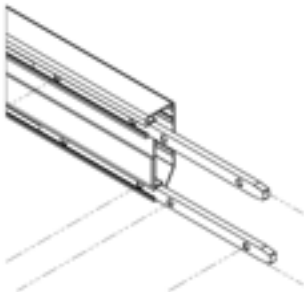
7. Assemble the frame installation tool (J)



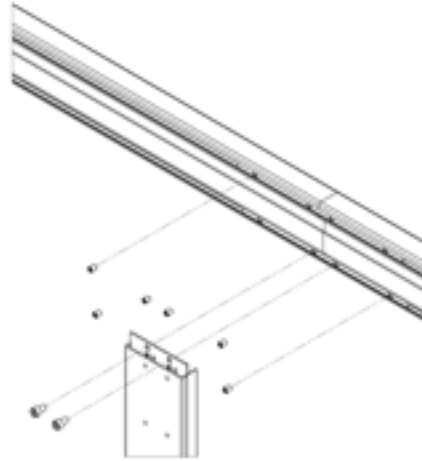
8. Position the frame on the frame installation tool and lean against the wall.



- 8.1 Screens 160" and wider have a top and bottom frame in two frame pieces. Connect the 2 frame pieces with the supplied connection bracket and secure this with the inserted hex screws.



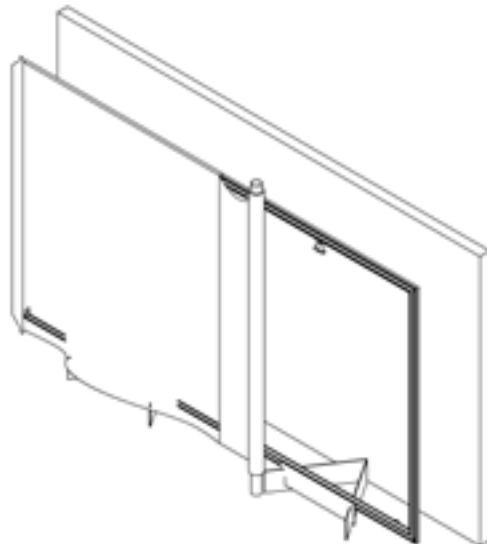
- 8.2 Screens 160" and wider require a spreader bar. Connect the top and bottom frame with the spreader bar and connect this by using the two supplied screws (D).



9. Carefully unpack the screen surface and put on the supplied gloves (K) before handling the surface.

**NOTE:** Do NOT handle the projection surface without gloves!

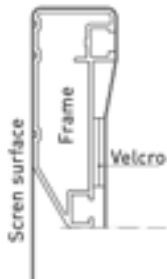
Position the roller with the projection surface upright in front of the frame. Then from left to right, unroll the projection surface while folding the surface around the frame and attaching it to the velcro. This will require 2 people.



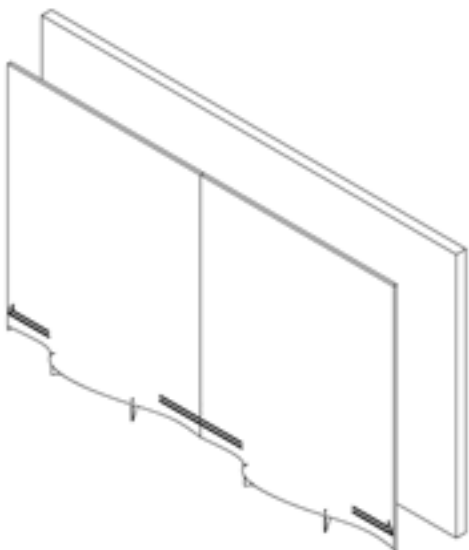
## Installation (continued)

---

10. First tension the surface so the end of the surface aligns with the frame end. After the entire screen is attached, you can adjust tensioning where necessary.



11. When the fabric is attached on top, attach the fabric on the sides. Then rotate the frame and attach the remaining surface at the top.



12. Fold the surface carefully around the corners. First do one side, then fold over the small rectangular piece of fabric and then fold over the remaining side.



13. Hang the FullVision brackets over the screws to position it on the wall.



## Conditions for Transportation and Storage

---

- Temperature: Between 40 - 100°F (5 - 40°C)
- Relative Humidity: 30% to 70%, non-condensing
- Always keep the projection screen horizontal during transport and storage
- Make sure the entire package is supported when stored
- Do not stack more than six projection screens on top of each other
- Make sure the heaviest package is placed at the bottom of the stack

**Screen surface should be allowed to air out once every two months, or otherwise used on a regular basis, if the temperature is above 72°F (22°C) and at least once every month if the temperature goes above 85°F (30°C).**

### LIMITED FIVE YEAR WARRANTY ON DA-LITE PRESENTATION PRODUCTS

Milestone AV Technologies LLC warrants certain Da-Lite branded products to the original purchaser only, to be free from defects in materials and workmanship for a period of five (5) years from the date of purchase by the original purchaser; provided they are properly operated according to Da-Lite's instructions and are not damaged due to improper handling or treatment after shipment from the factory.

This warranty does not apply to equipment showing evidence of misuse, abuse or accidental damage, or which has been tampered with or repaired by a person other than authorized Da-Lite personnel.

Da-Lite's sole obligation under this warranty shall be to repair or to replace (at Da-Lite's option) the defective part of the merchandise. Returns for service should be made to your Da-Lite dealer. If it is necessary for the dealer to return the screen or part to Da-Lite, transportation expenses to and from Da-Lite are payable by the purchaser and Da-Lite is not responsible for damage in shipment. To protect yourself against damage or loss in transit, insure the product and prepay all transportation expenses.

**TO THE MAXIMUM EXTENT PERMITTED BY APPLICABLE LAW, THIS WARRANTY IS IN LIEU OF ALL OTHER WARRANTIES, EXPRESS OR IMPLIED, INCLUDING WARRANTIES AS TO FITNESS FOR USE AND MERCHANTABILITY.** Any implied warranties of fitness for use, or merchantability, that may be mandated by statute or rule of law are limited to the five (5) year warranty period. This warranty gives you specific legal rights, and you may also have other rights, which vary from state-to-state. **TO THE MAXIMUM EXTENT PERMITTED BY APPLICABLE LAW, NO LIABILITY IS ASSUMED FOR EXPENSES OR DAMAGES RESULTING FROM INTERRUPTION IN OPERATION OF EQUIPMENT, OR FOR INCIDENTAL, DIRECT, OR CONSEQUENTIAL DAMAGES OF ANY NATURE.**

In the event that there is a defect in materials or workmanship of a Da-Lite product, you may contact our Customer Care Specialists at 3100 North Detroit Street, Warsaw, IN 46582, (574) 267-8101, (800) 622-3737.

**IMPORTANT: THIS WARRANTY SHALL NOT BE VALID AND DA-LITE BRANDED PRODUCTS SHALL NOT BE BOUND BY THIS WARRANTY IF THE PRODUCT IS NOT OPERATED IN ACCORDANCE WITH THE DA-LITE WRITTEN INSTRUCTIONS.**

Keep your sales receipt to prove the date of purchase and your original ownership.



FOR YOUR IMAGE | [legrandav.com](http://legrandav.com)

USA P 866.977.3901 E [info@da-lite.com](mailto:info@da-lite.com)  
CANADA P 877.345.4329 E [canadainfo@milestone.com](mailto:canadainfo@milestone.com)  
EMEA P +31 495 580 840 E [emea.sales@milestone.com](mailto:emea.sales@milestone.com)  
APAC P +852 2145 4099 E [asia.da-lite@milestone.com](mailto:asia.da-lite@milestone.com)

In British Columbia, Milestone AV Technologies ULC carries on business as MAVT Milestone AV Technologies ULC.  
©2018 Milestone AV Technologies. DL-0725 (Rev. 1) 7/18 Da-Lite is a registered trademark of Milestone AV Technologies. All other brand names or marks are used for identification purposes and are trademarks of their respective owners. All patents are protected under existing designations. Other patents pending.