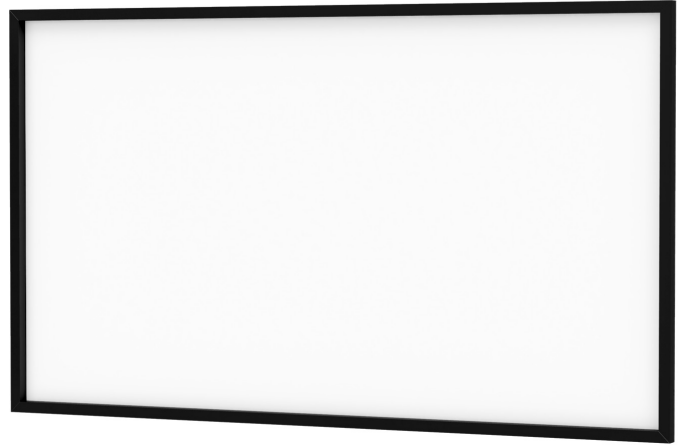


Da-Snap

The Da-Snap allows for versatile frame options with customization features that include curved frames and wrap around surfaces. The Da-Snap can be mounted on the wall or in a wall opening.

Features

- Front or rear projection screen surface with snaps or optional Velcro
- Square aluminum tubing frame
- Frame available with Pro-Trim® finish to absorb light surrounding the viewing area
- Standard black backing retains projected brightness



16:9 HDTV Format

Viewing Area (H x W)		Nominal Diagonal		Overall Dimensions	
in.	cm	in.	cm	in.	cm
37½" x 67"	95 x 170	77"	196	40½" x 70"	103 x 178
40½" x 72"	103 x 183	82"	208	43½" x 75"	110 x 191
45" x 80"	114 x 203	92"	234	48" x 83"	122 x 211
49" x 87"	124 x 221	100"	254	52" x 90"	132 x 229
52" x 92"	132 x 234	106"	269	55" x 95"	140 x 241
54" x 96"	137 x 244	110"	279	57" x 99"	145 x 251
58" x 104"	147 x 264	119"	302	61" x 107"	155 x 272
65" x 116"	165 x 295	133"	338	68" x 119"	173 x 302
78" x 139"	198 x 353	159"	404	81" x 142"	206 x 361
94½" x 168"	240 x 427	193"	490	97½" x 171"	248 x 434
108" x 192"	274 x 488	220"	559	111" x 195"	282 x 495

16:10 Wide Format

Viewing Area (H x W)		Nominal Diagonal		Overall Dimensions	
in.	cm	in.	cm	in.	cm
50" x 80"	127 x 203	94"	239	53" x 83"	135 x 211
57½" x 92"	146 x 234	109"	277	60½" x 95"	154 x 241
60" x 96"	152 x 244	113"	287	63" x 99"	160 x 251
65" x 104"	165 x 264	123"	312	69" x 107"	175 x 272
69" x 110"	175 x 279	130"	330	72" x 113"	183 x 287
72½" x 116"	184 x 295	137"	348	75½" x 119"	192 x 302
87" x 139"	221 x 353	164"	417	90" x 142"	229 x 361
100" x 160"	254 x 406	189"	480	103" x 163"	262 x 414
110" x 176"	279 x 447	208"	528	113" x 179"	287 x 455
120" x 192"	305 x 488	226"	574	123" x 195"	312 x 495

2.35:1 Cinemascope Format

Viewing Area (H x W)		Nominal Diagonal		Overall Dimensions	
in.	cm	in.	cm	in.	cm
37½" x 88"	95 x 224	96"	244	40½" x 91"	103 x 231
40½" x 95"	103 x 241	103"	262	43½" x 98"	110 x 249
45" x 106"	114 x 269	115"	292	48" x 109"	122 x 277
49" x 115"	124 x 292	125"	318	52" x 118"	132 x 300
52" x 122"	132 x 310	133"	338	55" x 125"	140 x 318
54" x 126"	137 x 320	138"	351	57" x 129"	145 x 328
58" x 136½"	147 x 347	148"	376	61" x 139½"	155 x 354
65" x 153"	165 x 389	166"	422	68" x 156"	173 x 396
78" x 183½"	198 x 466	199"	505	81" x 186½"	206 x 474
81½" x 192"	207 x 488	208"	528	84½" x 195"	215 x 495

4:3 Video Format

Viewing Area (H x W)		Nominal Diagonal		Overall Dimensions	
in.	cm	in.	cm	in.	cm
36" x 48"	91 x 122	60"	152	39" x 51"	99 x 130
43" x 57½"	109 x 146	72"	183	46" x 60½"	117 x 154
50½" x 67"	128 x 170	84"	213	53½" x 70"	136 x 178
60" x 80"	152 x 203	100"	254	63" x 83"	160 x 211
72" x 96"	183 x 244	120"	305	75" x 99"	191 x 251
90" x 120"	229 x 305	150"	381	93" x 123"	236 x 312
108" x 144"	274 x 366	180"	457	111" x 147"	282 x 373
120" x 160"	305 x 406	200"	508	123" x 163"	312 x 414
144" x 192"	366 x 488	240"	610	147" x 195"	373 x 495

Available with the Following Screen Surfaces

Front Projection



HD Progressive 0.6
Half Angle: 85° Gain: 0.6



HD Progressive 0.9
Half Angle: 85° Gain: 0.9



HD Progressive 1.1
Half Angle: 85° Gain: 1.1



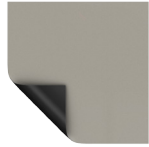
HD Progressive 1.3
Half Angle: 75° Gain: 1.3



HD Progressive 1.1 Perf
Half Angle: 85° Gain: 1.1



Da-Mat
Half Angle: 60° Gain: 1.0



High Contrast Da-Mat
Half Angle: 45° Gain: 0.8



Cinema Vision
Half Angle: 45° Gain: 1.3



High Contrast Cinema Vision
Half Angle: 50° Gain: 1.1



Pearlescent
Half Angle: 40° Gain: 1.5



High Contrast Cinema Perf
Half Angle: 50° Gain: 1.1

Rear Projection



Dual Vision
Half Angle: 65° Gain: 0.9

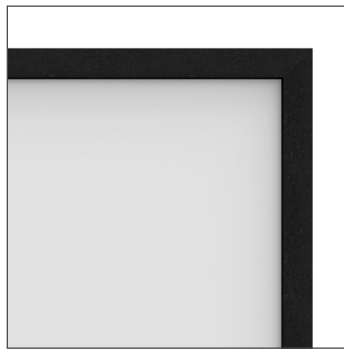


Da-Tex
Half Angle: 30° Gain: 1.3

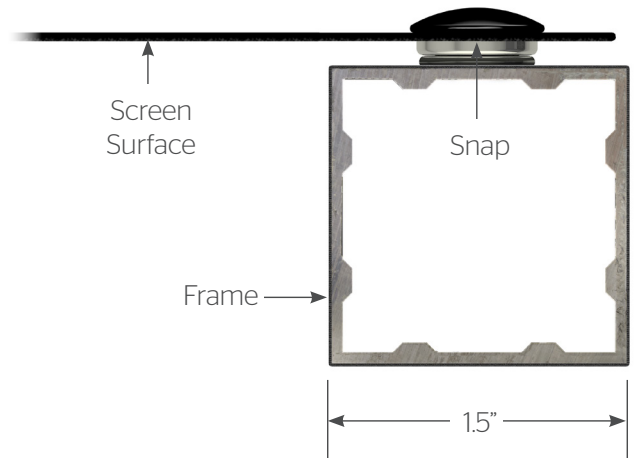
Product images



Black (Standard)



Pro-Trim Fabric



A BRAND OF MILESTONE AV TECHNOLOGIES | www.milestone.com

P 800.622.3737 / 574.267.8101 F 877.325.4832 / 574.267.7804

E info@da-lite.com

In British Columbia, Milestone AV Technologies ULC carries on business as MAVT Milestone AV Technologies ULC.

©2017 Milestone AV Technologies. DL-0458 (Rev. 2) 0417.

Da-Lite is a registered trademark of Milestone AV Technologies. All other brand names or marks are used for identification purposes and are trademarks of their respective owners. All patents are protected under existing designations. Other patents pending.