

Power Transfer Device with Custom Lengths .218 Diameter

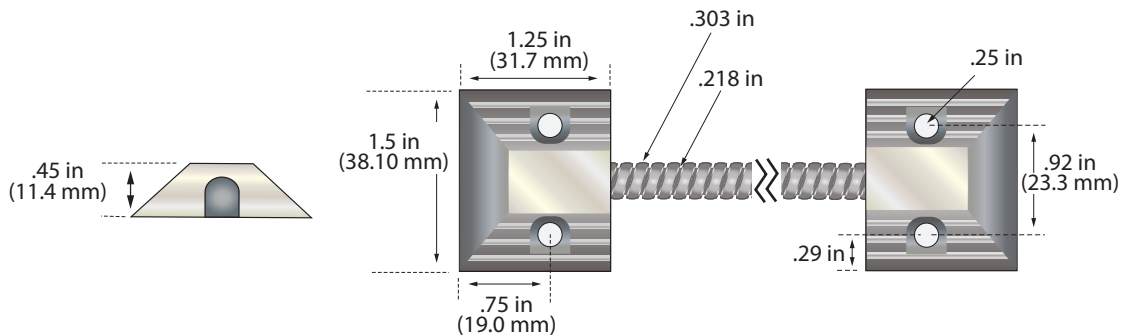
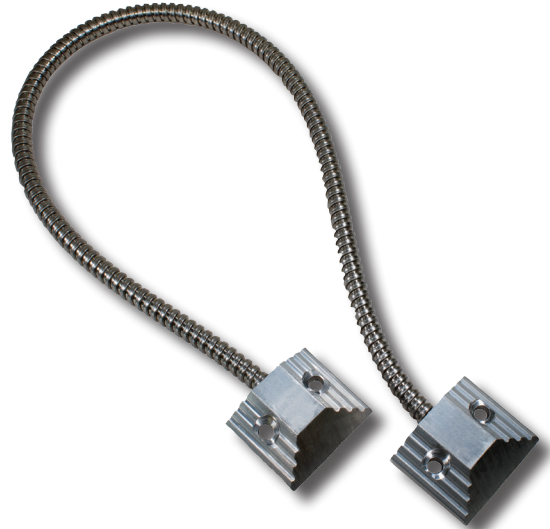
WWW.GRISK.COM



**REGULAR
SIZE**

PTDC

- ◆ Heavy duty aluminum ends
- ◆ 8296 Stainless steel armored cable
- ◆ 0.218" / 5.55mm inside diameter
- ◆ 0.303" / 7.77mm outside diameter
 - ◆ Includes mounting screws
 - ◆ Twist lock cable into ends
 - ◆ Secure with #832 set screws
(use 5/64 allen wrench)
- ◆ Custom armored cable lengths upon request



	<u>Part Numbers</u>		
	Length	Inside Diameter	Outside Diameter
PTDC (ends only)			
PTDC-7	7"	0.218"/5.55mm	0.303" /7.77mm
PTDC-12	12"	0.218"/5.55mm	0.303" /7.77mm
PTDC-18	18"	0.218"/5.55mm	0.303" /7.77mm
PTDC-24	24"	0.218"/5.55mm	0.303" /7.77mm
PTDC-36	36"	0.218"/5.55mm	0.303" /7.77mm

**8296 estimated wire allowance: Six 22 gauge stranded,
2 each, 2 & 3 conductor, 1 each 4-6 conductor.**

GEORGE RISK INDUSTRIES, INC.
G.R.I. PLAZA
KIMBALL, NE 69145

WWW.GRISK.COM



213

1-800-445-5218
1-800-523-1227
(308) 235-4645
FAX (308) 235-3561
E-MAIL: sales@grisk.com

Power Transfer Device with Custom Lengths .313" Diameter

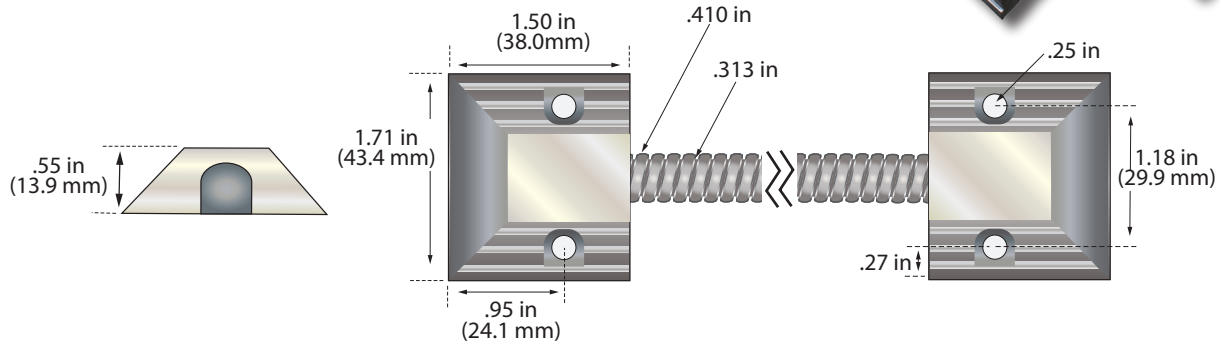
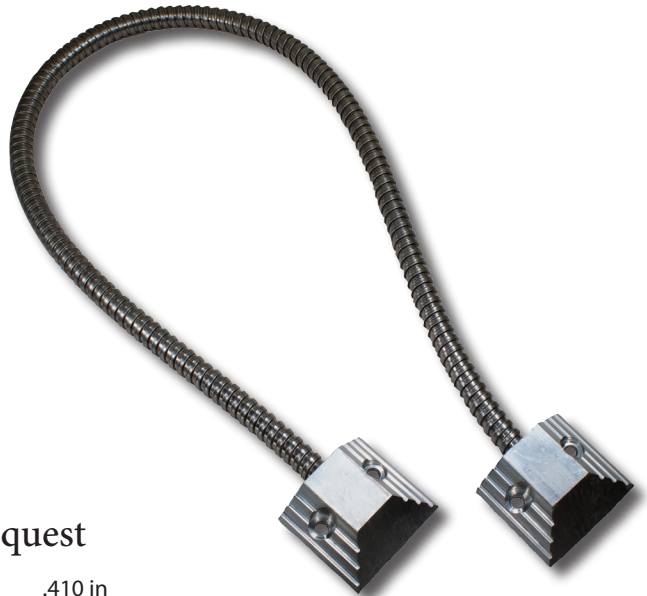


WWW.GRISK.COM

**LARGE
SIZE**

PTDCL

- ◆ Heavy duty aluminum ends
- ◆ 8449 Stainless steel armored cable
- ◆ 0.313" / 7.94mm inside diameter
- ◆ 0.410" / 10.91mm outside diameter
 - ◆ Includes mounting screws
 - ◆ Twist lock cable into ends
 - ◆ Secure with #832 set screws (use 5/64 allen wrench)
- ◆ Custom armored cable lengths upon request



Part Numbers

	Length	Inside Diameter	Outside Diameter
PTDCL (ends only)			
PTDCL-7	7"	0.313"/7.94mm	0.410" /10.91mm
PTDCL-12	12"	0.313"/7.94mm	0.410" /10.91mm
PTDCL-18	18"	0.313"/7.94mm	0.410" /10.91mm
PTDCL-24	24"	0.313"/7.94mm	0.410" /10.91mm
PTDCL-36	36"	0.313"/7.94mm	0.410" /10.91mm

**8449 estimated wire allowance: Ten 22 gauge stranded,
5 each, 2 conductor, 4 each 3 conductor
3 each 4/5 conductor, 2 each 6 conductor**

WARRANTY: Lifetime warranty against workmanship, material and factory defects.

GEORGE RISK INDUSTRIES, INC.
G.R.I. PLAZA
KIMBALL, NE 69145

WWW.GRISK.COM



1-800-445-5218
1-800-523-1227
(308) 235-4645
FAX (308) 235-3561
E-MAIL: sales@grisk.com