

# Fluid Sensor with Relay Contact

WWW.GRISK.COM



- ◆ Will detect any conductive non-flammable liquid
  - ◆ Ideal anywhere liquid detection is required
  - ◆ Automatic reset
  - ◆ Available in gray only
- ◆ 6 foot jacketed lead standard
- ◆ Custom lead length available
  - ◆ 24 Volt AC sensor



Using no mechanical parts, the GRI Sensors are triggered by a moisture bridge across the sensor contacts. The GRI Sensor can be installed to detect a layer of liquid as minute as 1/16 of an inch in depth.

These sensors use an external power source to energize a built-in relay contact (battery power is not recommended.) Used in an active SPDT configuration, an alarm condition will occur when moisture is detected, power to the sensor is lost or if the sensor should fail. The relay output can be wired directly to a control panel or can be used to actuate an external device, i.e. transmitter, annunciator, etc., and can be used to monitor evaporative air conditioners, drip pans, overflows and/or drains.

**WARRANTY:** One year warranty against workmanship, material and factory defects.

GEORGE RISK INDUSTRIES, INC.  
G.R.I. PLAZA  
KIMBALL, NE 69145

WWW.GRISK.COM



197

1-800-445-5218  
1-800-523-1227  
(308) 235-4645  
FAX (308) 235-3561  
E-MAIL: sales@grisk.com

# Fluid Sensor with Relay Contact

WWW.GRISK.COM



## INSTALLATION INSTRUCTIONS:

GRI 2650: The 2650 is used to detect the presence of fluid and to provide a relay output for signal or control of an external device. The switch operates on 24 Volts AC and functions as a Normally Open or Normally Closed Sensor. The red and black wires power the switch while the brown, white and green wires are the relay output wires.

After installation these units should be tested with a damp sponge or paper towel and inspected annually. If there is any corrosion or damage the sensors should be replaced.

### 2650 Open Loop Specifications

#### Power Requirements:

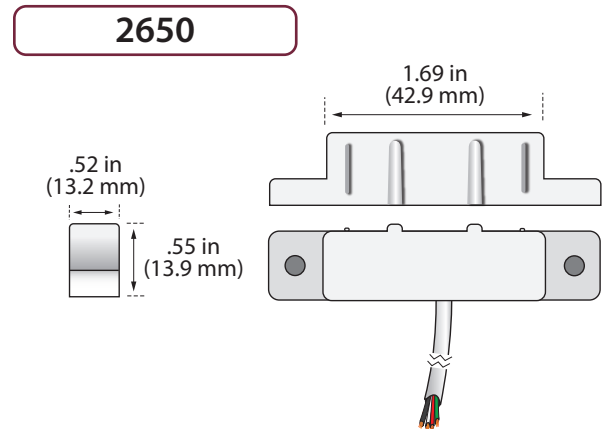
Operating Voltage	24 Volts AC
Operating Current	12 mA

#### Wire Contacts:

Red Wire	24 V AC
Black Wire	24 V AC
Green Wire	C Form
White Wire	Relay Contact
Brown Wire	N.C. } C } N.O. }

#### Contact Characteristics:

Initial Contact Resistance, Max.	100mΩ
Normally Switching Capacity	1 A 30 V DC
(resistive load)	0.3 A 125 V AC
Max. Switching Power	30 W
(resistive load)	37.5 V A
Max. Switching Voltage	110 V DC. 125 V AC
Max. Switching Current	1 A



**WARRANTY:** One year warranty against workmanship, material and factory defects.

GEORGE RISK INDUSTRIES, INC.  
G.R.I. PLAZA  
KIMBALL, NE 69145

WWW.GRISK.COM



198

1-800-445-5218  
1-800-523-1227  
(308) 235-4645  
FAX (308) 235-3561  
E-MAIL: sales@grisk.com