



# Quick Start Guide

## 04BM



## **Welcome**

Thank you for purchasing this network camera!

This owner's manual is designed to be a reference tool for your system.

Please read this manual carefully before operating the unit and retain it for future reference.

Should you require any technical assistance, contact Speco Technologies Tech Support at 1-800-645-5516

## **Important Safeguards and Warning**

### **1. Electrical safety**

All installation and operation here should conform to local electrical safety codes.

Use a certified/listed 12VDC/24VAC Class 2 power supply or adequate PoE switch.

Please note: The product must be grounded to reduce the risk of electric shock.

Improper handling and/or installation could run the risk of fire or electrical shock.

### **2. Environment**

Do not expose the unit to heavy stress, violent vibration or long-term exposure to water and humidity during transportation, storage, and/or installation.

Do not install near sources of heat.

Only install the product in environments inside the specification operating temperature and humidity range.

Do not install the camera near power lines, radar equipment or other electromagnetic radiation.

Do not block any ventilation openings if any.

Use all the weatherproofing hardware requirement to minimize weather intrusion.

### **3. Operation and Daily Maintenance**

Please shut down the device and then unplug the power cable before you begin any maintenance work.

Do not touch the CMOS sensor optic component. You can use a blower to clean the dust on the lens surface.

Always use the dry soft cloth to clean the device. If there is too much dust, use a cloth

dampened with a small quantity of neutral detergent. Finally use the dry cloth to clean the device.

Please use a professional optical cleaning method to clean the enclosure. Improper enclosure cleaning (such as using cloth) may result in poor IR functionality and/or IR reflection. The grounding holes of the product are recommended to be grounded to further enhance the reliability of the camera.

## Warning

This camera should be installed by qualified personnel only.

All the examination and repair work should be done by qualified personnel.

Any unauthorized changes or modifications could void the warranty.

## Statement

This guide is for reference only.

Product, manuals and specifications may be modified without prior notice. Speco Technologies reserves the right to modify these without notice and without incurring any obligation.

Speco Technologies is not liable for any loss caused by improper operation.

### Note:

Before installation, check the package and make sure that all components are included. Contact your rep or Speco customer service department immediately if something is broken or missing in the package.

# 1 Package



Camera



Quick start guide



Tapping screw×4



Screw anchor × 4



CD



Drill template



Screwdriver

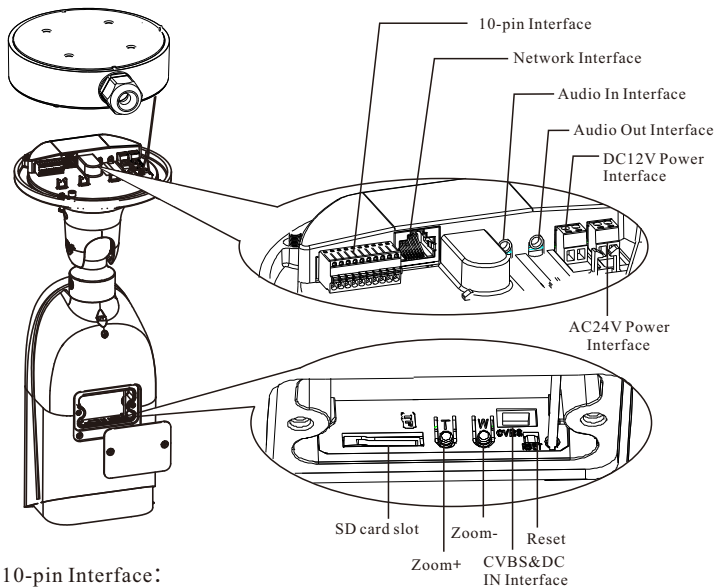


CVBS&DC  
IN cable



Terminal for 12VD  
C/24VAC power

## 2 Overview



10-pin Interface:

PWR		VO		RS 485		ALM-I		ALM-O	
GND	12V+	GND	CVBS	D-	D+	GND	INA	NO	COM

DC12V Output  
(200mA)

CVBS Output

RS 485 Interface

Alarm Input

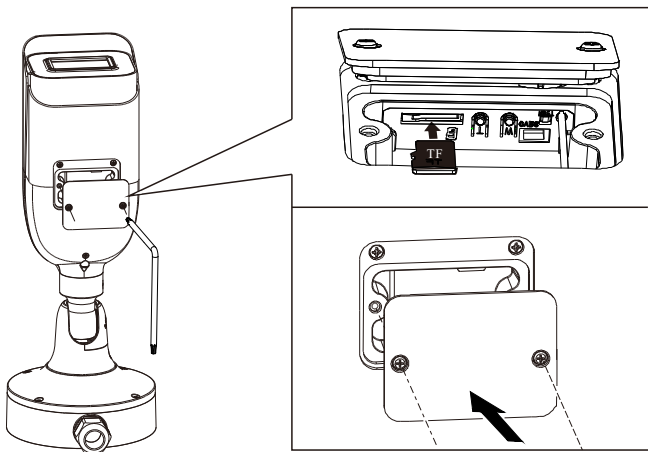
Alarm Output

**Reset:** Press **Reset** button for about 10s when the camera is powering on to restore the default settings.

### 3 Installation

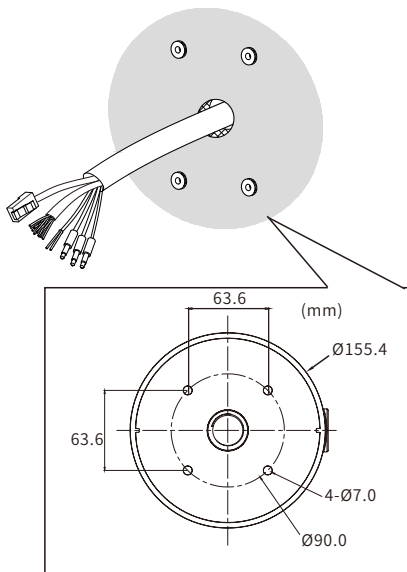
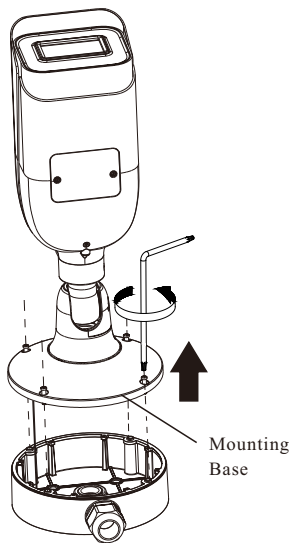
Please make sure that the wall or ceiling is strong enough to withstand 3 times the weight of the camera. Please install the camera in a dry environment.

① Install a micro SD card (optional) as shown below.

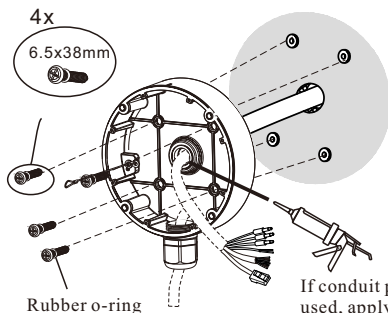


② Unscrew the mounting base of the camera and then remove the junction box.

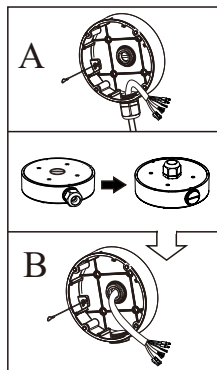
③ Drill the screw holes and the cable hole according to the drill template.



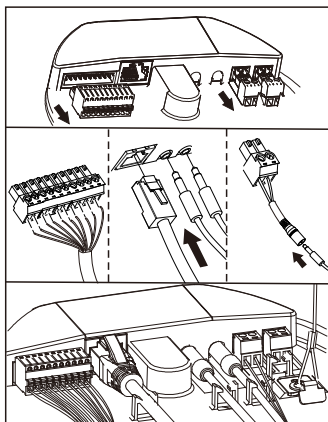
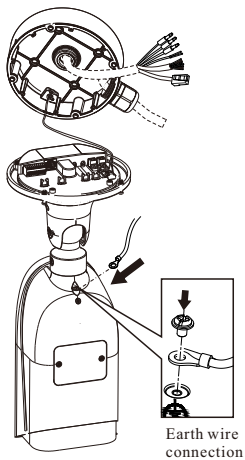
④ Mount the junction box to the wall.



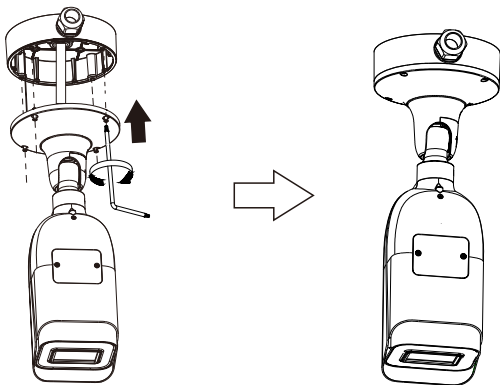
If conduit pipe is not used, apply weatherproofing sealant to prevent water intrusion.



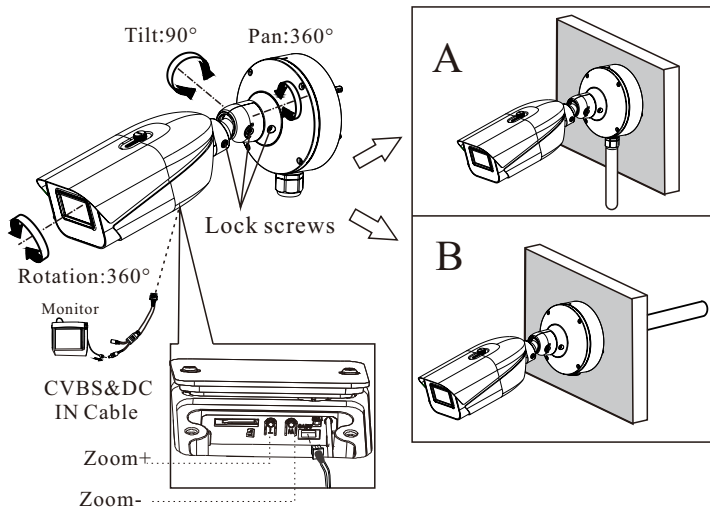
⑤ Connect the cables.



⑥ Coil up these cables and then attach the camera onto the junction box.



- ⑦ Bracket adjustment-Before adjustment, preview the image of the camera on a monitor and then loosen the lock screws to adjust view angle of the camera. After that, tighten the lock screws.
- ⑧ Open the cover of the camera as shown below. Press T/W to obtain an optimum image. Finally, install the cover back. Make sure the cover is installed firmly.



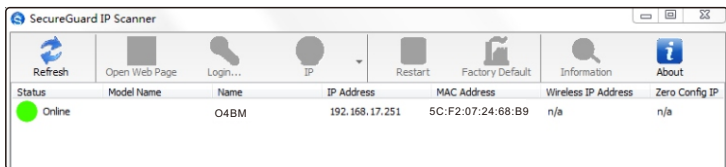
## 4 Web Operation and Login

IP Scanner can search for the device on the local network.

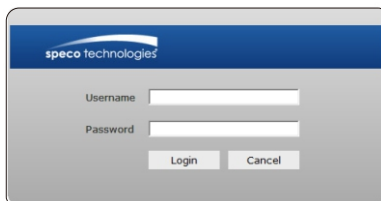
### • Operation



- ① Make sure that the camera and the PC are connected to the same local network. The camera is set to DHCP by default.
- ② Install IP Scanner from the CD and run it after installation. Or download from <https://www.specotech.com/ip-scanner/>



- ③ In the device list, you can view the IP address, model number, and MAC address of each device. Select the applicable device and double click to open up the web viewer. You can also manually enter the IP address in the address bar of the web browser.



The login interface is shown above. Default user name is admin and password is 1234. After logging in, follow directions to install applicable plugins if prompted.