

Installation Guide

JB03TG / JB03TW

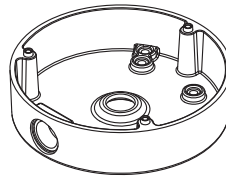
speco technologies®

200 New Highway, Amityville NY 11701
800.645.5516 / www.specotech.com

Dome Junction Box

Compatible Models

- CVC5300DPVF
- CVC5845DENV, CVC5945DENV
- HTD8FFi
- HTINTD8, HTINTD9, HTINTD10
- OINT03D1G



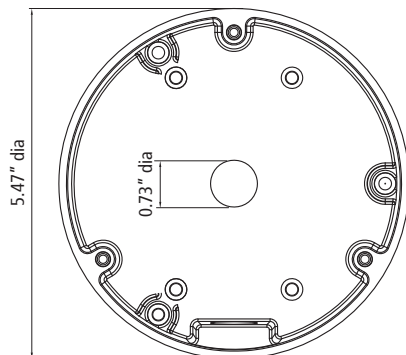
Package Contents

The following items are included in this package.

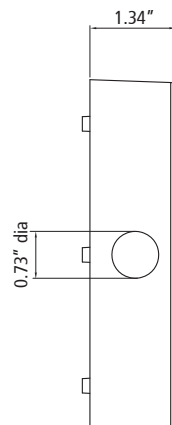
- JB03TG / JB03TW
- 1 Junction Box Base Sponge Gasket
- 4 Tapping Screws 4 x 25
- 4 Machine Screws M4 x 8

Dimensions

Front View

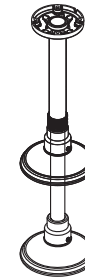


Side View



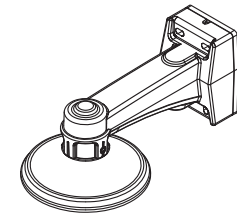
Optional Accessories

INTPM



Pendant Mount

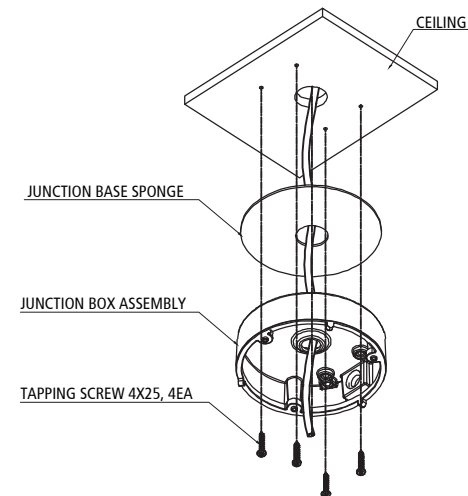
INTWM



Wall Mount

Installation Instruction Diagram

1-1. Install junction box onto the ceiling by using the screws provided.

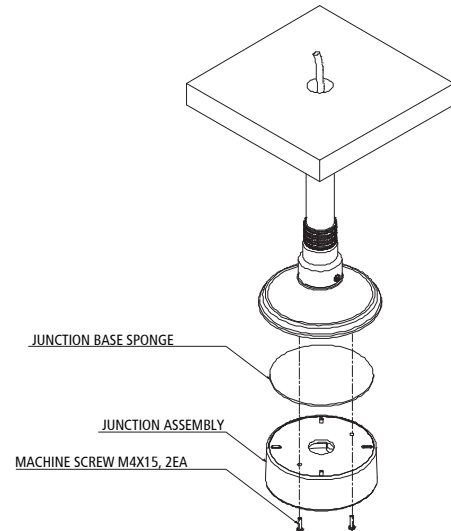


Installation Guide

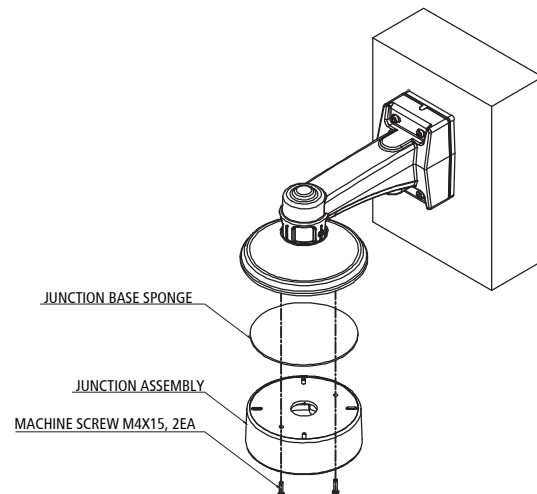
JB03TG / JB03TW

Installation Instruction Diagram

- 1-2. Install INTPM onto ceiling.
- 1-3. Install junction box onto INTPM as shown in the image below.



- 1-4. Install INTWM onto wall.
- 1-5. Install junction box onto INTWM as shown in the image below.



Installation Instruction Diagram

2. Arrange each piece as shown in the image below.
3. Fasten the camera onto the junction box.

