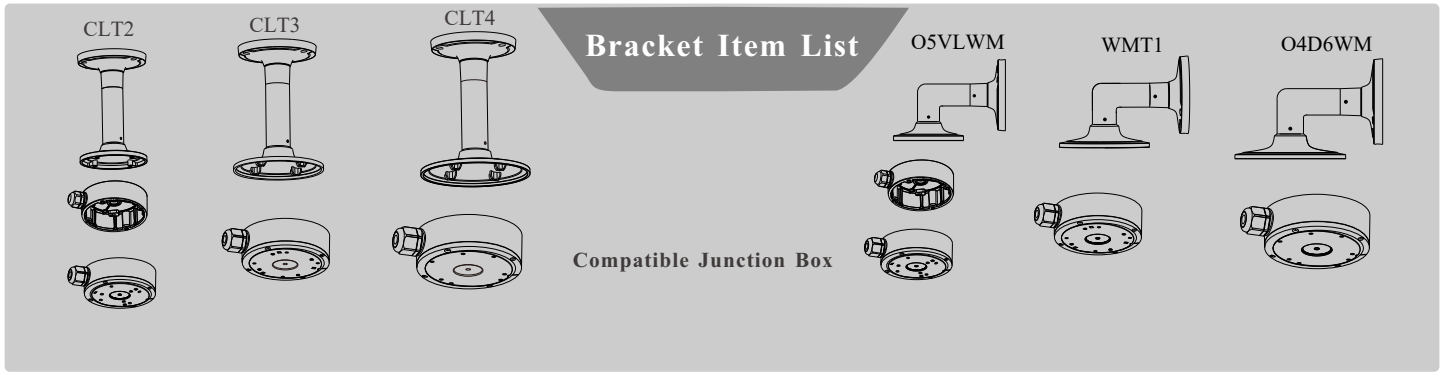
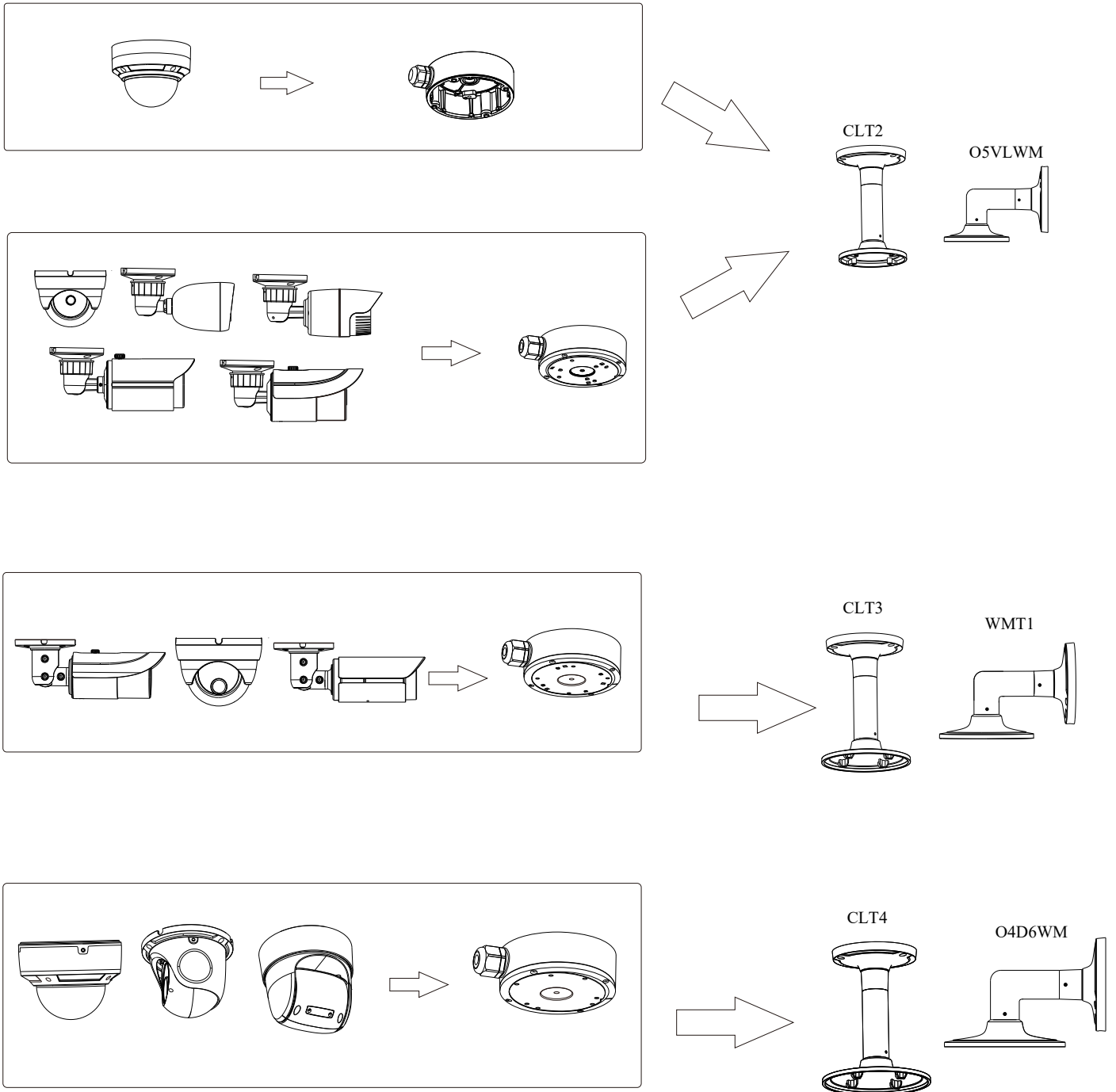


# Camera Bracket Mounting



## Compatible List



\* The above pictures are for reference only. Please take the real object as standard.

# Mounting Instruction

Here we only take some cameras for example to introduce their mounting of the junction box and bracket.

