



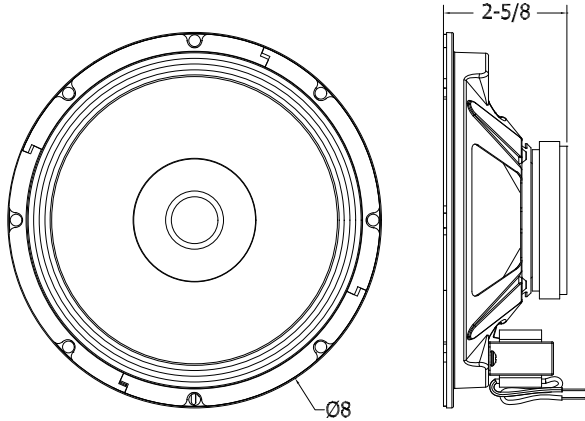
# Quam

## SPKR/XFM/BAF/VC (Opt)

Your specific loudspeaker, transformer, baffle and termination for your project

01  
LOUDSPEAKER ASSEMBLIES

### 0104.6- CUSTOMER SPECIFIED ASSEMBLY



Your part number here



Your part number here

#### GENERAL DESCRIPTION

Since 1930, Quam has made millions of loudspeakers and thousands of combinations of components right here in Chicago. We think we have made most of the 'problem solvers' that you would ever need for your projects- but there's always a new one to be designed. Give us a call- we're ready to solve your problems.

Finish Options: White or baked epoxy hybrid, stainless steel

#### INTENDED USE

Outdoor or indoor environments with extreme temperature and humidity fluctuations or fire retardant- we've done them all! Refer to specific product sheet for operating Environment.

Program Material: Signal tones, voice and music

#### COMPONENTS AND ORDER OPTIONS

- Baffle Choose from 12 in-stock versions
- Loudspeaker Choose from 10 in-stock versions  
-or let us know your requirements
- Back Box It's in stock!
- Transformer Options 25V, 70.7V or 100V  
Pig-tail or rotary taps

#### RECOMMENDED ADDITIONAL QUAM COMPONENTS

Refer to Section 0104.6 - Customer Specified Assembly or individual components listed below:

- 0301- Baffles, Round -or-
- 0302- Baffles, Square
- 0401.1- Flush Mounted Back Boxes, Round -or-
- 0401.2 Flush Mounted Back Boxes, Square

#### AUDIO SPECIFICATIONS

Speaker Size	It's up to you !
Average Sensitivity	Let us know !
Loudspeaker Power Rating	We have lots of options
Calculated Output	Let us know!
Magnet Type, Weight	We have lots of options
Frequency Response	Let us know
Audio Connection	Your call!

**Don't forget..**  
**Because your Custom Specified Assembly is made here in Chicago, it's shipped from here.**  
**Over 95% of our customers' orders are shipped the same day!**

#### Quam-Nichols Company

234 East Marquette Road, Chicago, IL 60637  
Phone: (800) NEED NOW Fax: (888) NEED NOW  
(800) 633 - 3669 (888) 633 - 3669  
E-Mail: neednow@qnc.com www.quamspeakers.com



