

LANDSCAPE GARDEN SPEAKER

MADE
IN THE
U.S.A.

Excellence in Audio
Envirōtainment®

OWI
WEATHERIZED
OUTDOOR / INDOOR
SPEAKERS

Installation Instruction Sheet

Note: This installation instruction is good for all LGS models.

OVALESQUE



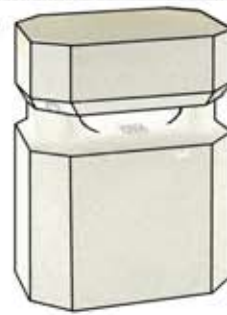
LGS100

CONE



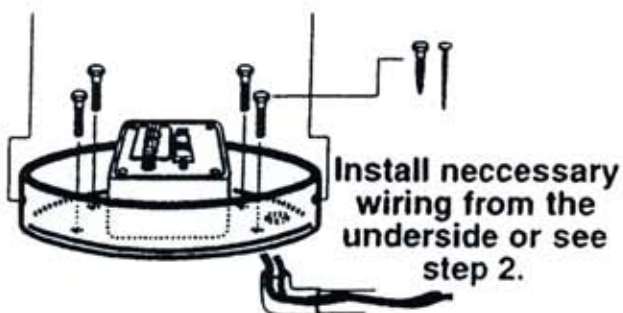
LGS300

OCTAGON



LGS400

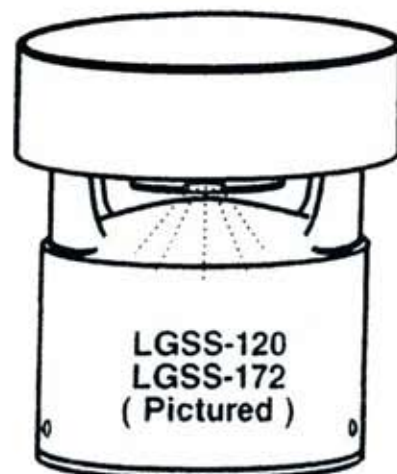
- 1** Install Garden Speaker base to ground media using proper hardware.
(MOUNTING HARDWARE NOT INCLUDED)



- 2**
-
- Install necessary wiring from the side.

- 3**
-
- Install Garden Speaker upper section onto base. Connect speaker wires and test unit. Insert mounting screws supplied with speaker into pre-drilled holes and tighten.

- 4** Check all wiring connections and your Landscape Garden Speaker is ready.



OWI
OWI Incorporated
Established 1978

17141 Kingsview Avenue, Carson, CA 90746-1207 USA

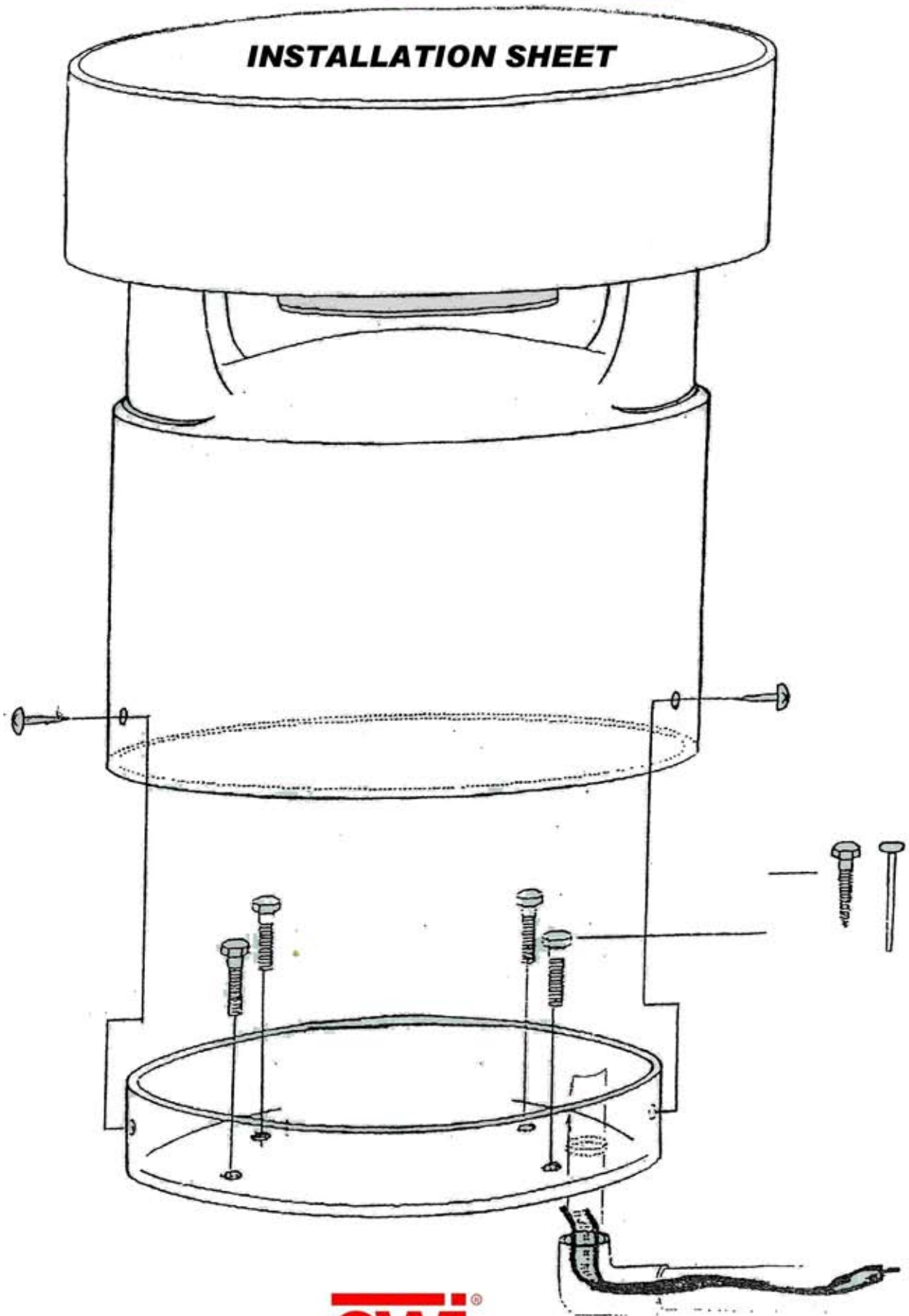
Tel: 310.515.1900

Fax: 310.515.1606

Web: www.owi-inc.com

LGSINST.jpg
10/26/04

INSTALLATION SHEET



OWI[®]
OWI Incorporated
Established 1978

17141 Kingsview Avenue, Carson, CA 90746-1207 USA
Tel: 310.515.1900 Fax: 310.515.1606
Web: www.owi-inc.com