



ATRIUM[®] SAT300
OUTDOOR SATELLITE

ATRIUM[®] SUB100
OUTDOOR SUBWOOFER

ENGLISH

IMPORTANT SAFETY INSTRUCTIONS

This product was designed and manufactured to meet strict quality and safety standards. There are, however, some installation and operation precautions which you should be particularly aware of.

Read Instructions. All the safety and operating instructions should be read before the system is operated.

Retain Instructions. The safety and operating instructions should be retained for future reference.

Heed Warnings. All warnings on the appliances and in the operating instructions should be adhered to.

Follow Instructions. All operating and use instructions should be followed.

Cleaning. Unplug the appliance from wall outlet before cleaning. Do not use liquid cleaners or aerosol cleaners. Use a damp cloth for cleaning.

Attachments. Do not use attachments not recommended by the product manufacturer as they may cause hazards.

Accessories. Do not place these appliances on an unstable cart, stand, tripod, bracket, or table. The audio/video products may fall, causing serious injury to a child or adult, and serious damage to the products. Use only with a cart, stand, tripod, bracket, or table recommended by the manufacturer, or sold with the appliances. Any mounting of the appliances should follow the manufacturer's instructions, and should use mounting accessories recommended by the manufacturer.

Power Sources. This product should be operated only from the type of power source indicated on the marking labels. If you are not sure of the type of power supply to your home, consult your appliance dealer or local power company.

Lightning. For added protection for this audio/video product during a lightning storm, or when it is left un-attended and unused for long periods of time, unplug it from the wall outlet and disconnect the antenna or cable system. This will prevent damage to the product due to lightning and power-line surges.

Object and Liquid Entry. Never push objects of any kind into this product through openings, as they may touch dangerous voltage points or short out parts that could result in a fire or electric shock.

Servicing. Do not attempt to service this product yourself, as opening or removing covers may expose you to dangerous voltage or other hazards. Refer all servicing to qualified service personnel.

Damage Requiring Service. Unplug this product from wall outlets and refer servicing to qualified service personnel under the following conditions:

- a. If liquid has been spilled, or objects have fallen into the product.
- b. If the product does not operate normally by following the operating instructions. Adjust only those controls that are covered by the operating instructions, as an improper adjustment of other controls may result in damage and will often require extensive work by a qualified technician to restore the product to its normal operation.
- c. If the product has been dropped or the cabinet has been damaged.
- d. When the product exhibits a distinct change in performance — this indicates a need for service.

Replacement Parts. When replacement parts are required, be sure the service technician has used replacement parts specified by the manufacturer or that the parts have the same characteristics as the original part. Unauthorized substitutions may result in fire, electric shock or other hazards.

Safety Check. Upon completion of any service or repairs to this product, ask the service technician to perform safety checks to determine that the products are in proper operating condition.

SAFE LIMITS OF OPERATION

Polk Audio specifies the recommended amplification range for each of its passive (non-amplified) loudspeakers. Typically that specification will be expressed as a range of power such as 20-200 Watts (per channel). It is important to understand what those numbers mean when choosing a receiver or amplifier for your Polk Audio loudspeakers. The lower number indicates the lowest continuous rated power that will yield acceptable performance in a typical listening environment. The higher number indicates the highest per channel power that should be used with your Polk Audio speakers. That number should not be confused with a "Power Handling" specification and it does not imply that the speaker will safely handle that full amount of power on a long-term basis. We specify a wide range of power ratings because not all electronics manufacturers use the same method for rating power. In fact, high quality lower-rated amplifiers sound better and play louder than low quality units with higher power rating.

Automobile horsepower is a good analogy. Your car probably has far more horsepower than it needs for your daily commute and is likely capable of going well over 120mph (190km/hr). Having that extra power is good for on-ramp acceleration and danger avoidance (like getting away from brain-eating zombies) but that doesn't mean that it is advisable to operate your car on North American highways at full power and maximum speed for an extended period of time. Just ask your local state trooper if you are in doubt. Similarly, we recommend using amplifiers and receivers with rated power above the power handling limits of our speakers because having extra power available for short term peaks is conducive to better sound quality, maximum dynamic range and effortless high volume output. But we strongly urge you not to use the full power of your amplifier or receiver for daily listening.

Loudspeakers can be damaged when an amplifier, regardless of its wattage, is made to play at higher listening levels than its power can clearly produce. Operation at

this level can result in very high levels of audible distortion originating in the amplifier, which can add a harsh, gritty sound to your listening material. If you hear distortion — turn the volume down or risk damaging your speakers. You can damage just about any speaker, regardless of power rating, if you drive an amplifier to or beyond the point of distortion.

PRODUCT DISPOSAL

Certain international, national and/or local laws and/or regulations may apply regarding the disposal of this product. For further detailed information, please contact the retailer where you purchased this product or the Polk Audio Importer/ Distributor in your country. A listing of Polk Audio Importer/ Distributors can be found on the Polk Audio website www.polkaudio.com or by contacting Polk Audio at:
5601 Metro Drive, Baltimore,
Maryland 21215, USA
Phone: +1 410 358-3600.



TECHNICAL ASSISTANCE OR SERVICE

If, after following the hookup directions, you experience difficulty, please double-check all wire connections. Should you isolate the problem to the speaker, contact the authorized Polk Audio dealer where you made your purchase, or contact Polk Audio Customer Service 800-377-7655 (M-F, 9am-6pm EST, US & Canada only) or via email polkcs@polkaudio.com. Outside the US & Canada, call +1 410-358-3600. More detailed information including audio how-to articles, FAQs and online manuals are available on our award-winning website: www.polkaudio.com/home.

INVENTORY LIST

Important Note: If anything is missing or damaged, or if your speaker fails to operate, notify Polk Audio Customer Support Services immediately at 800-377-7655.

Atrium SAT300 Satellite Carton Contents

- (1) Atrium SAT300 satellite speaker
- (1) Ground stake
- (1) Security plate
- (1) Pendant cap
- (1) Rubber bumper
- (1) Eyebolt
- (2) Faston connectors
- (1) Registration Card
- (1) Mounting template
- (1) #10 pan head screw
- (2) #6 pan head screws
- (1) Lock washer
- (2) Wire nuts
- (1) Atrium SAT300/SUB100 Owner's Manual

Atrium SUB100 Subwoofer Carton Contents

- (1) Atrium SUB100 Subwoofer
- (1) Weatherproof aluminum grille
- (1) Junction box
- (4) Wire nuts
- (1) Owner's Manual

ATRIUM SAT300

PAINTING THE SAT300 LOUDSPEAKER

While the Atrium SAT300 has a color-impregnated finish that enables it to blend in with your landscaping and outdoor furnishings, the cabinet is paintable. Should you choose to paint your speakers, follow these instructions:

Before you begin, you will need:

- A spray can of primer paint (Krylon Sandable Spray Primer #1318).
- A spray can of the outdoor paint of your choice.
- A paperclip or thin blade (for removing the paintable grille).
- Masking tape.
- Paint mask (not included) to cover un-paintable parts.

PREPARING TO PAINT

1. Separate the parts of the speaker:
Remove the knob, clamp and bracket. Remove the grille by carefully hooking it with a bent paper clip or thin blade and prying it gently away from the cabinet.
2. Carefully mask off the following:
 - Driver
 - Tweeter
 - Terminals
 - Threaded Insert

PAINTING THE CABINET, CLAMP, BRACKET KNOB AND BRACKET

1. Apply two thin coats of primer to the cabinet, clamp, knob and bracket.
2. When the primer is completely dry, apply the finish color. Multiple coats may be required for a consistent look.
3. When the paint is completely dry, remove the masking material.
4. Try to keep all handling of freshly painted parts to a minimum.

PAINTING THE GRILLE

Note: Make sure the grille is removed and remove the logo badge before painting.

1. Paint the Atrium SAT300 grille using a primer.
2. Using spray paint, spray two thin coats of finish color. If you're using a compressor and spray gun, use the finest, most diffuse setting. Be careful not to fill the holes in the grille with paint.
3. Paint the logo badge.
4. Replace the logo badge once the paint is completely dry on the badge and the grille.
5. Carefully fit the grille into its recess so that it is just resting on the cabinet. Go around the speaker and push the grille into the grille notch a little bit at a time. Be gentle; the grille may be easily bent out of shape by rough handling.

ATRIUM SUB100

PAINTING THE SUB100 SUBWOOFER

While the Atrium SUB100 has a color-impregnated finish that enables it to blend in with your landscaping and outdoor furnishings, the cabinet is paintable. Should you choose to paint your speakers, follow these instructions:

Before you begin, you will need:

- A spray can of primer paint (Krylon Sandable Spray Primer #1318).
- A spray can of the outdoor paint of your choice.
- Masking tape.
- Paint mask (not included) to cover un-paintable parts.

PREPARING TO PAINT

Carefully mask off the following:

- driver
- eyebolt
- cable

PAINTING THE CABINET

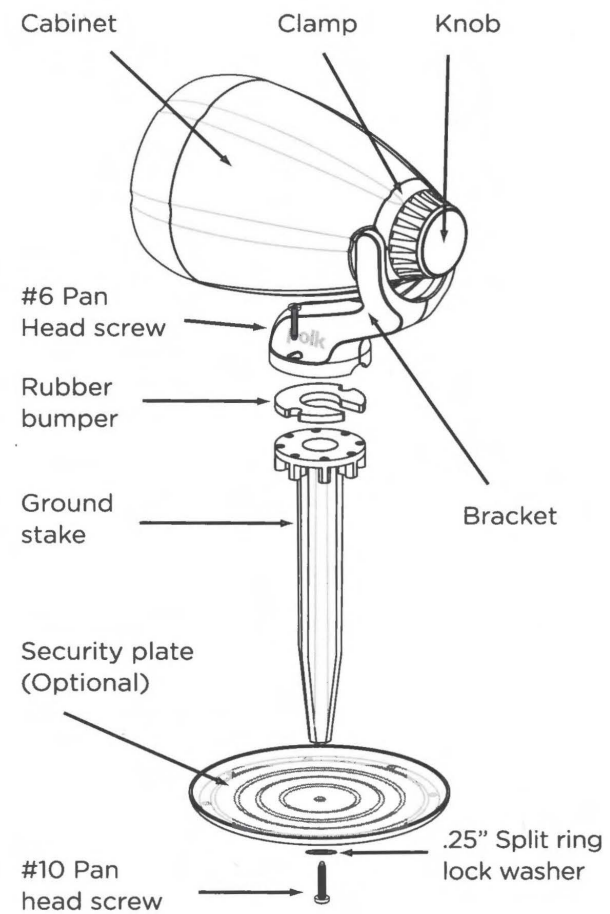
1. Apply two thin coats of primer to the cabinet.
2. When the primer is completely dry, apply the finish color. Multiple coats may be required for a consistent look.
3. When the paint is completely dry, remove the masking material.
4. Try to keep all handling of freshly painted parts to a minimum.

MOUNTING THE ATRIUM SAT300 GROUND MOUNT

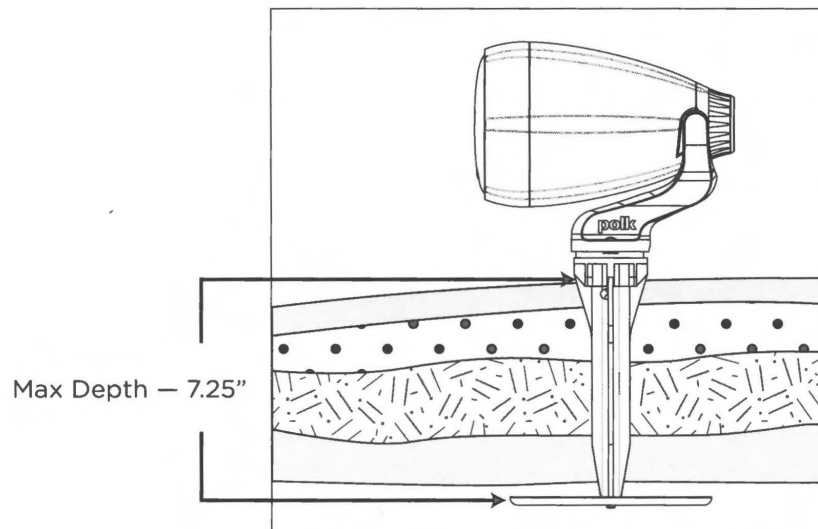
To mount the SAT300 into the ground with a security plate, you will need the following hardware:

- SAT300 speaker
- Ground stake
- Security plate
- Rubber bumper
- (1) #10 pan head screw (for security plate)
- (1) .25" split ring lock washer
- (2) #6 pan head screws (for speaker assembly to the stake)

Exploded View of SAT300



Ground Mounting Depth

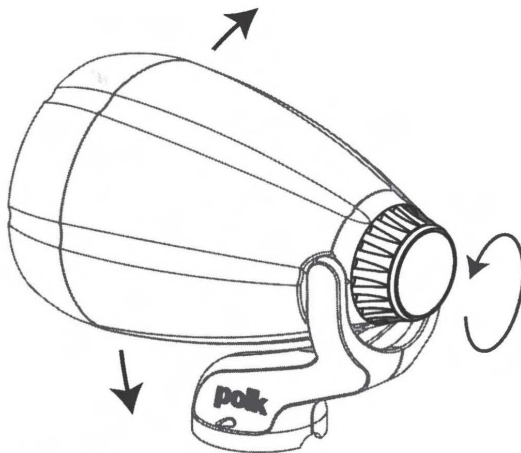


Instructions

1. Attach stake to security plate using the #10 pan head screw and .25" split ring lock washer.
2. Dig a hole to the diameter of the security plate (6.5") and to a depth (max 7.25" / min 2.25") that will stabilize and secure the speaker once the earth has been tamped down around the plate.
3. Place the stake/security plate assembly in the hole and cover with dirt, tamping down the soil with your foot as you fill in the hole.
4. Attach the Atrium SAT300 to the stake using the rubber bumper and the #6 pan head screws.
5. Loosen the knob to aim the speaker. When the speaker is aimed properly, tighten the knob.

Ground Mount Without Security Plate

If you choose to mount the SAT300 loudspeaker in the ground without the security plate, be sure the ground is compact enough to hold the speaker and stake securely in the ground. Gently drive the ground stake into the ground using a rubber mallet and follow instructions from step 4.

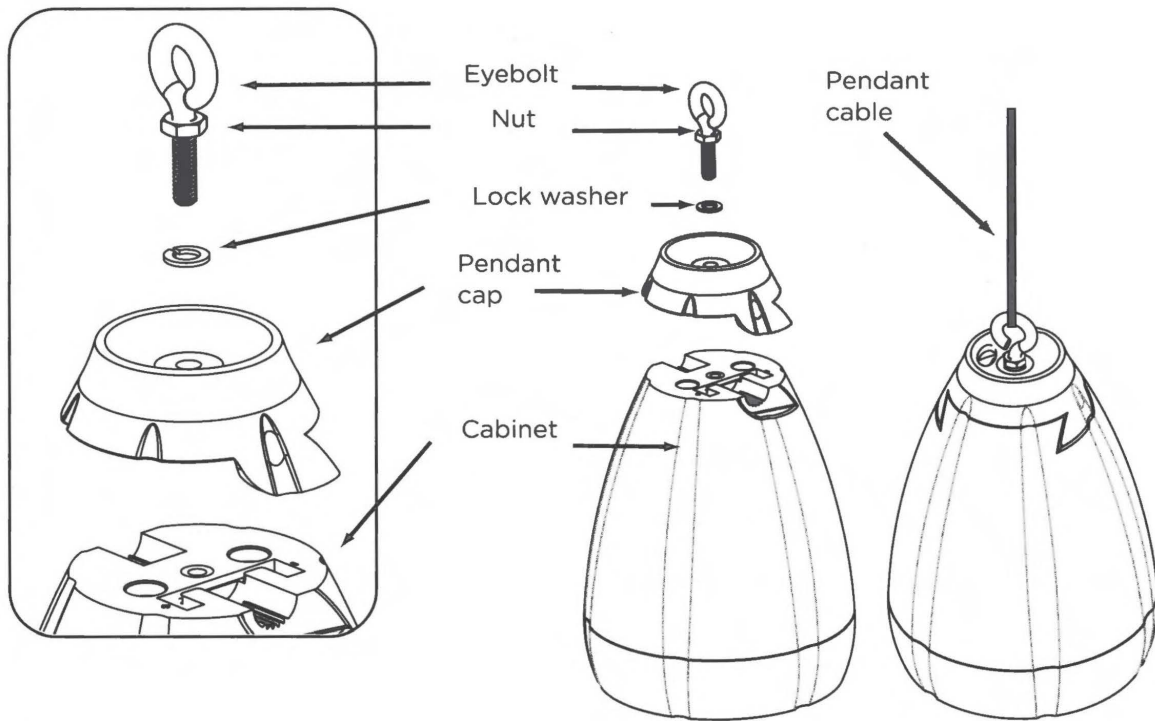


Aiming the Speaker

PENDANT MOUNT

To pendant mount the SAT300, you will need the following hardware:

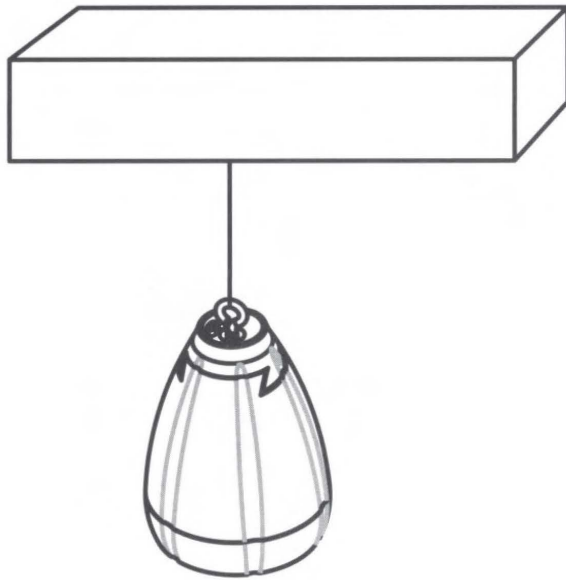
- SAT300 Loudspeaker
- Eyebolt (with nut)
- (1) .25" split ring lock washer
- Two faston connectors
- Pendant cable (not included)
- Loudspeaker wire (not included)
- Pendant cap



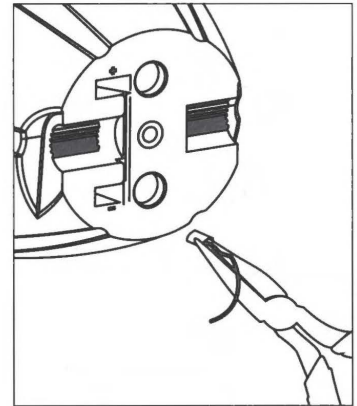
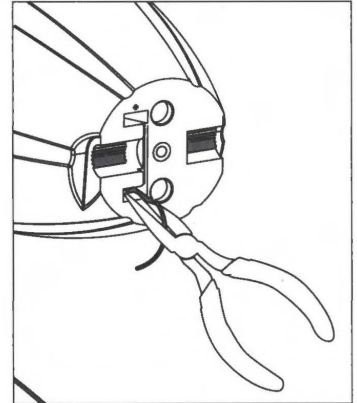
Instructions:

Note: A pendant cable (not included) is required to hang the Atrium SAT300 loudspeaker from a ceiling or overhead beam. Use a cable that meets or exceeds the safety and/or building codes applicable to the mounting situation. The speaker weighs 3.5 lbs. on its own.

1. Determine how far down from your ceiling or beam you want your loudspeaker to hang.



2. Secure the pendant cable to the ceiling or beam and run loudspeaker wire along the pendant cable.
3. Attach the supplied faston connectors to the loudspeaker wires.
(Large = "+", Small = "-")



4. Expose the loudspeaker spade terminals on the back of the cabinet by removing the knob, clamp and bracket.
5. Disconnect the existing loudspeaker wire from the spade terminals using needle-nose pliers and remove the bracket assembly.
6. Thread the new speaker wire through the wire hole in the pendant cap and connect the wires to the loudspeaker spade terminals, observing correct polarity.
7. Attach the pendant cap to the speaker using the eyebolt, lock washer and nut.
8. Secure the pendant cable to the eyebolt.

Caution: Secure mounting is required to prevent personal injury or damage to the speaker.

BRACKET MOUNT

For more solid mounting, screw the bracket directly into a weight-bearing stud on the mounting surface.

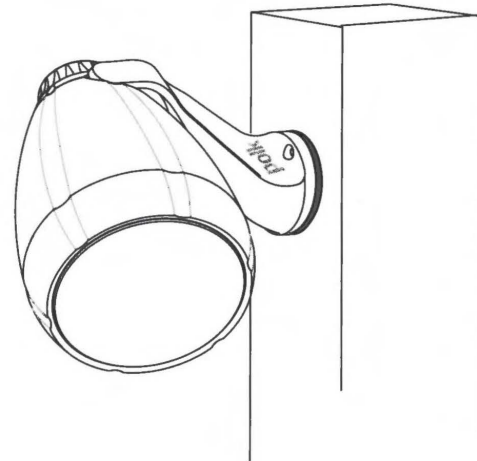
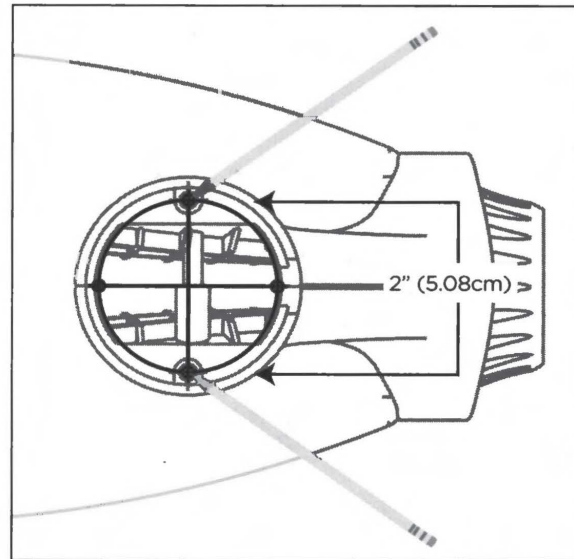
To bracket mount the SAT300, you will need the following hardware:

- SAT300 speaker
- Rubber bumper (optional)
- (2) #6 pan head screws
- SAT300 Mounting Template

Instructions

1. Determine where you want to mount the speaker.
2. Hold the mounting template to the mounting surface and mark the screw hole locations with a pencil.
3. Use an 1/8" drill bit and drill the mounting holes (if necessary).
NOTE: Use wall anchors if mounting the speaker into drywall.
4. Loosen the knob on the back of the speaker so it can swivel.
NOTE: The speaker bracket has a notch for the speaker wires, which allows you to run the speaker wires up the mounting surface, or you may drill a hole in the mounting surface and run the speaker wires through the hole.
5. Place the rubber bumper underneath the bracket (optional).
6. Hold the speaker to the mounting surface.
7. Attach the speaker assembly using the supplied #6 pan head screws.
8. Once the loudspeaker has been adjusted to the desired angle, tighten the knob on the back of the loudspeaker to hold it in place.

Mounting Template



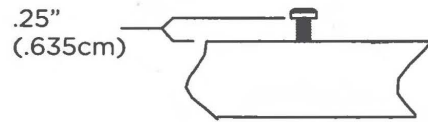
WARNING: Aiming the SAT300 to an angle greater than 45 degrees to the horizontal may result in water buildup inside the grille that could cause damage to the speaker, especially during cold weather when freezing may occur.

MOUNTING THE ATRIUM SUB100

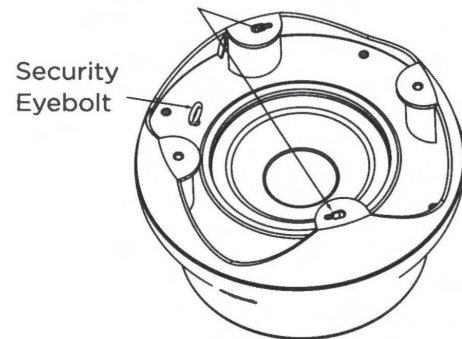
The SUB100 can be located anywhere you desire.

DECK MOUNT

1. Determine where you want to locate the subwoofer.
2. Measure the center-to-center distance between the key-hole slots and install two #10 mounting screws into the deck, leaving .25" of the screws exposed above the surface.
3. Place the subwoofer onto the pan head screws and rotate the SUB100 clockwise so that the keyhole slots lock down onto the pan head screws.



Keyhole Slots

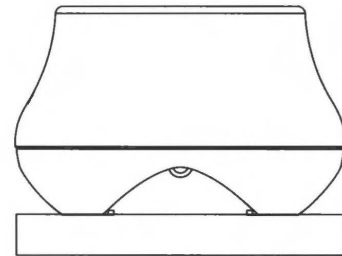


GARDEN PLACEMENT

You may locate your Atrium SUB100 anywhere you can run speaker wire. If you place your subwoofer in a garden bed, upon soft ground or mulch, we recommend you place it on a paver or other hard surface. This will prevent mulch or dirt from building up underneath the subwoofer, which must remain clear for optimum performance and to prevent damage to driver.

The included grille can be attached to prevent wildlife from taking residence under your subwoofer (Part# AM3387-A).

Note: The SUB100 has a built-in security eyebolt that enables you to anchor it to its location.



**ATRIUM SAT300 & ATRIUM SUB100
HOOKUP DIRECTIONS:**

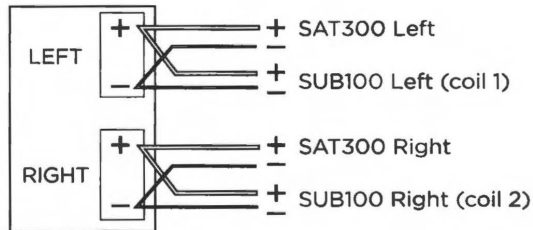
**Connect only two SAT300 Speakers
per stereo channel.**

(Not sold in pairs.)

The Atrium SAT300 and Atrium SUB100 each come with 3 feet of CL3 speaker wire, which is rated for underground burial. The SAT300 has two conductors — one red that is labeled “+” and one black that is labeled “-“. The SUB100 has four conductors (white, green, red and black) because it has a dual voice coil. Follow the correct polarity during hookup to avoid performance issues and/or damage to your amplifier.

A standard configuration for outdoor listening includes two SAT300 speakers and a single SUB100 subwoofer.

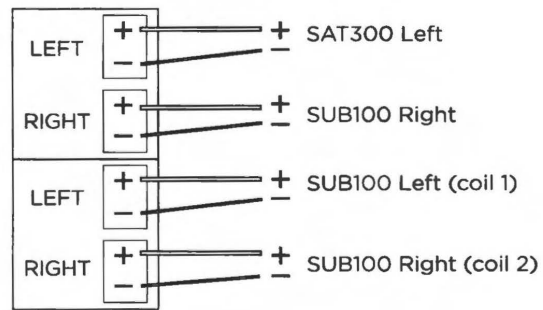
Amplifier



Connect one SAT300 speaker to the +/- terminals of the amplifier's left output channel (red wire to “+” and black wire to “-“). Connect the other SAT300 speaker to the +/- terminals of the amplifier's right output channel. Next, connect the white and green wires of the SUB100 to the amplifier's left output channel and connect the red and black wires of the SUB100 to the amplifier's right output channel.

Amplifier Output		SAT300 #1	SAT300 #2	SUB100
LEFT	+	RED		WHITE
	-	BLACK		GREEN
RIGHT	+		RED	RED
	-		BLACK	BLACK

A standard configuration utilizes the left and right outputs from separate amplifiers to drive the SAT300's and the SUB100.

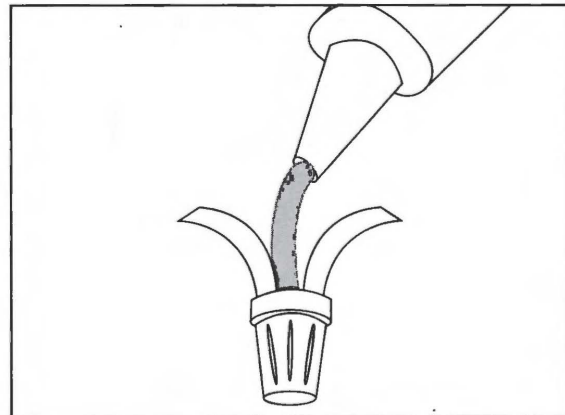
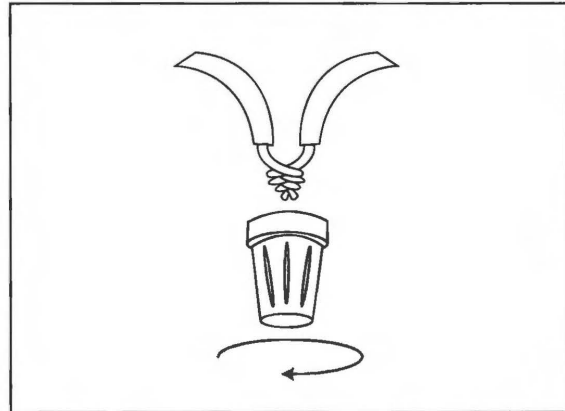


Connect one SAT300 speaker to the +/- terminals of the first amplifier's left channel output and connect the other SAT300 loudspeaker to the +/- terminals of the first amplifier's right channel output. Connect the white and green wires of the SUB100 to the second amplifier's left channel and the red and black wires to the second amplifier's right channel.

Amplifier Output			SAT300 #1	SAT300 #2	SUB100
Amp #1	Left	+	Red		
		-	Black		
	Right	+		Red	
		-		Black	
	Left	+			White
		-			Green
	Right	+			Red
		-			Black

You must always connect the left and right channels to achieve maximum output. Observe positive (+) and negative (-) polarity. Reversing polarity of a dual voice coil subwoofer will result in very little bass output and possibly damage the speaker or amplifier.

All speaker connections should be made with the provided wire nuts. We recommend filling each wire nut with a little silicone sealant to ensure a weatherproof connection.



Any number of SAT300 loudspeakers can be used in an installation. For applications requiring more than two SAT300 loudspeakers, use a separate amplifier channel for each additional pair of SAT300 loudspeakers. Do not use the A and B channels on your receiver to hook up two pairs of SAT300 loudspeakers, as this may overload and damage your receiver/ amplifier circuitry. If you need help with wiring or connecting more than one pair of SAT300 loudspeakers, please contact tech support.

NOTE

You will need additional 2 conductor and 4 conductor Direct Burial Underground speaker wire if you want to run the SAT300's farther than the 3 feet provided. For distances of 100 feet or less we recommend 14 AWG (Gauge) wire. For distances greater than 100 feet we recommend 12 AWG (Gauge).

Connecting 2 SAT300 loudspeakers (Parallel hook up) to the Direct Burial IPX 7 junction box provided

The Atrium SAT300 and Atrium SUB100 each come with 3 feet of CL3 speaker wire, which is rated for underground burial. If you wish to place the SAT300's or SUB100 farther than 3 feet from the supplied Junction Box than you will need to use additional speaker wire.

The SAT300 has two conductors—one red that is labeled "+" and one black that is labeled "-". The SUB100 has four conductors (white, green, red and black) because it has a dual voice coil. Follow the correct polarity during hookup to avoid performance issues and/or damage to your amplifier.

All speaker connections should be made with the provided wire nuts. We recommend filling each wire nut with a little silicone sealant to ensure a weatherproof connection.

Connect one end of the left and right channel of the 4 conductor Direct Burial speaker wire to the +/- terminals of the amplifier's left and right output channel. Next run the other end into the supplied IPX7 Junction Box as shown in Fig 1. Run the supplied Direct Burial speaker wire from the SUB100 subwoofer to the IPX7 Junction box as shown in Fig 1. The wires are coded in the following manner: Left Channel (+) is White, Left Channel (-) is Green. Right Channel (+) is Red, Right Channel (-) is Black. You must always connect the left and right channels to achieve maximum output. Observe positive (+) and negative (-) polarity. Reversing polarity of a dual voice coil subwoofer will result in very little bass output and possibly damage the speaker or amplifier.

Connect one end of the 2 conductor Direct Burial wire to the Left SAT300. Make sure to note which color is connected to the (+) and (-) speaker terminals. Next run the other end into the supplied IPX7 Junction Box as shown in Fig 1. Repeat this procedure for the Right SAT300 as shown in Fig 1.

Connect the SUB100 and Left and Right SAT300 inside the Junction Box as shown in Fig 2. with the supplied wire nuts.

Fig. 1

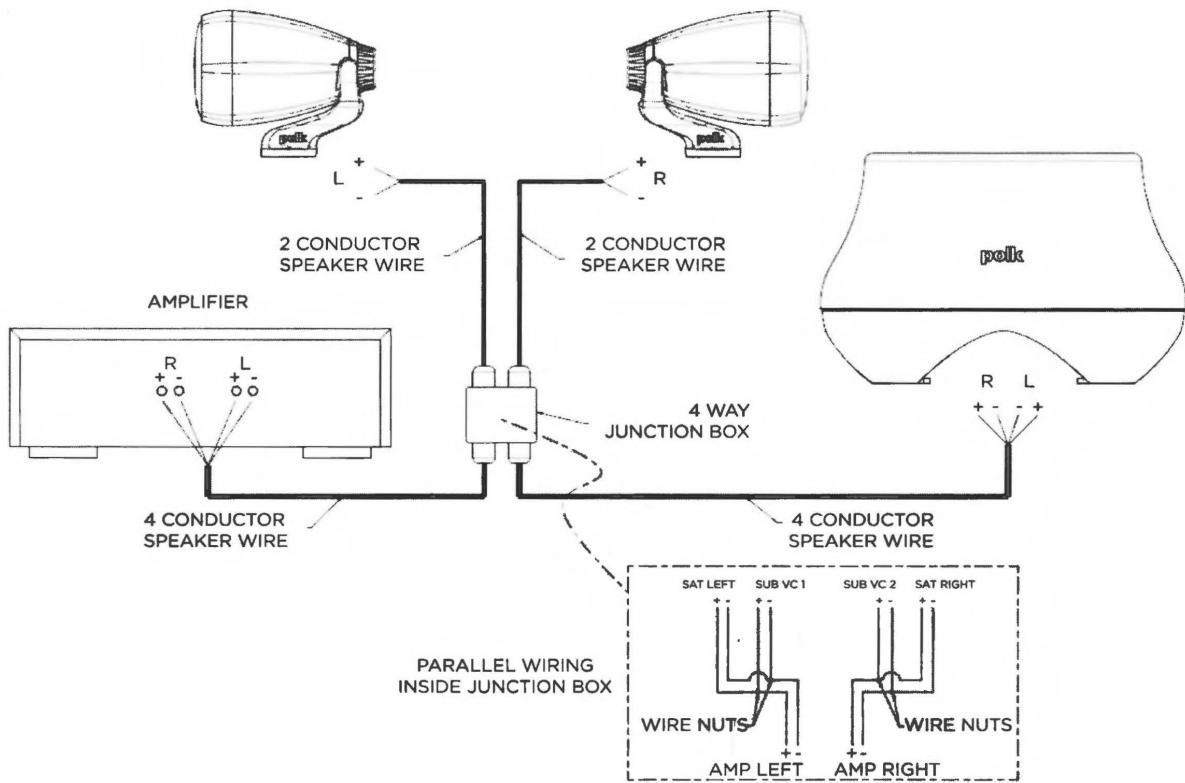
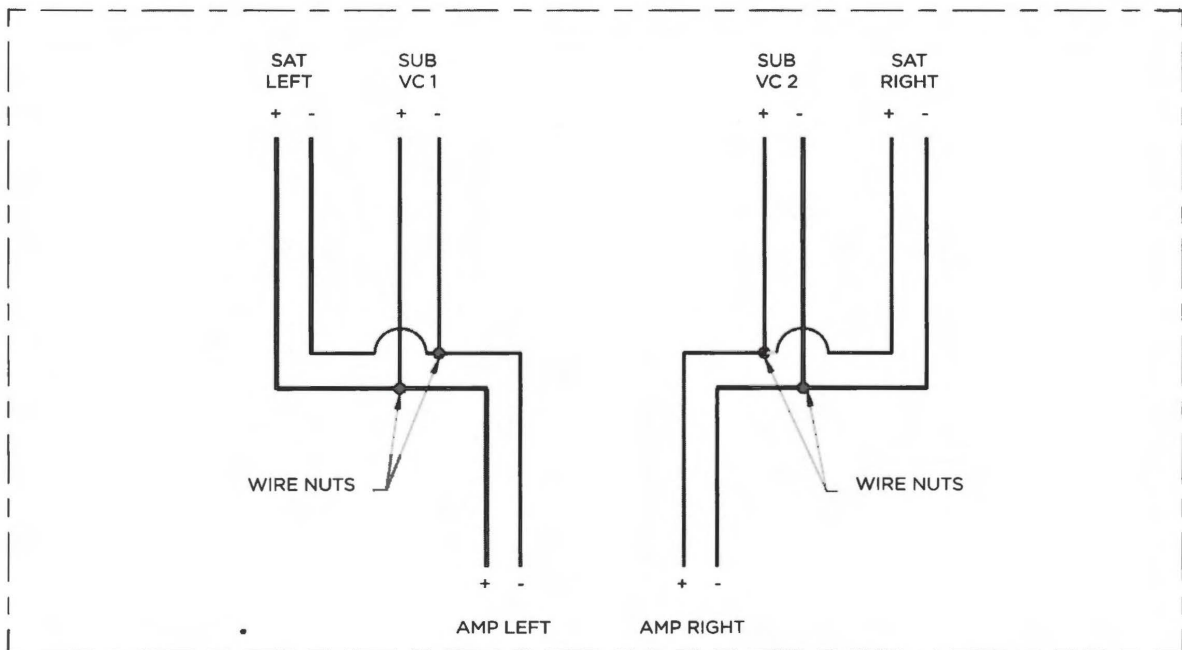


Fig. 2



NOTE

You will need an additional 2 conductor and 4 conductor Direct Burial Underground speaker wire if you want to run the SAT300's farther than the 3 feet provided. For distances of 100 feet or less we recommend 14 AWG (Gauge) wire. For distances greater than 100 feet we recommend 12 AWG (Gauge).

Connecting 4 SAT300 loudspeakers (Parallel hook up) to the Direct Burial IPX 7 junction box provided

The Atrium SAT300 and Atrium SUB100 each come with 3 feet of CL3 speaker wire, which is rated for underground burial. If you wish to place the SAT300's or SUB100 farther than 3 feet from the supplied Junction Box than you will need to use additional speaker wire.

The SAT300 has two conductors—one red that is labeled “+” and one black that is labeled “-“. The SUB100 has four conductors (white, green, red and black) because it has a dual voice coil. Follow the correct polarity during hookup to avoid performance issues and/or damage to your amplifier.

All speaker connections should be made with the provided wire nuts. We recommend filling each wire nut with a little silicone sealant to ensure a weatherproof connection.

Connect one end of the left and right channel of the 4 conductor Direct Burial speaker wire to the +/- terminals of the amplifier's left and right output channel. Next run the other end into the supplied IPX7 Junction Box as shown in Fig 3.

Run the supplied Direct Burial speaker wire from the SUB100 subwoofer to the IPX7 Junction box as shown in Fig 3. The wires are coded in the following manner: Left Channel (+) is White , Left Channel (-) is Green. Right Channel (+) is Red, Right Channel (-) is Black. You must always connect the left and right channels to achieve maximum output. Observe positive (+) and negative (-) polarity. Reversing polarity of a dual voice coil subwoofer will result in very little bass output and possibly damage the speaker or amplifier. Connect the SUB100 and 4 Left and Right SAT300's inside the Junction Box as shown in Fig 4. with the supplied wire nuts.

Fig. 3

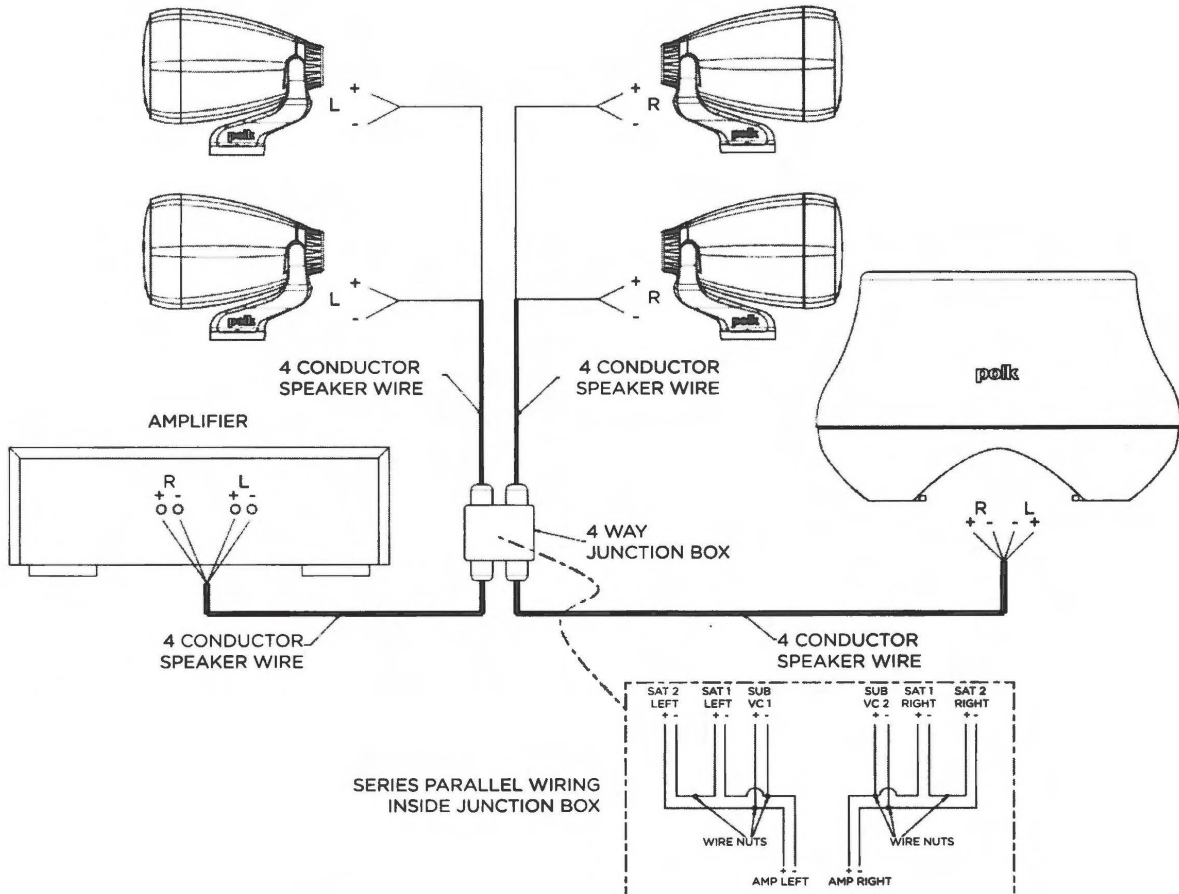
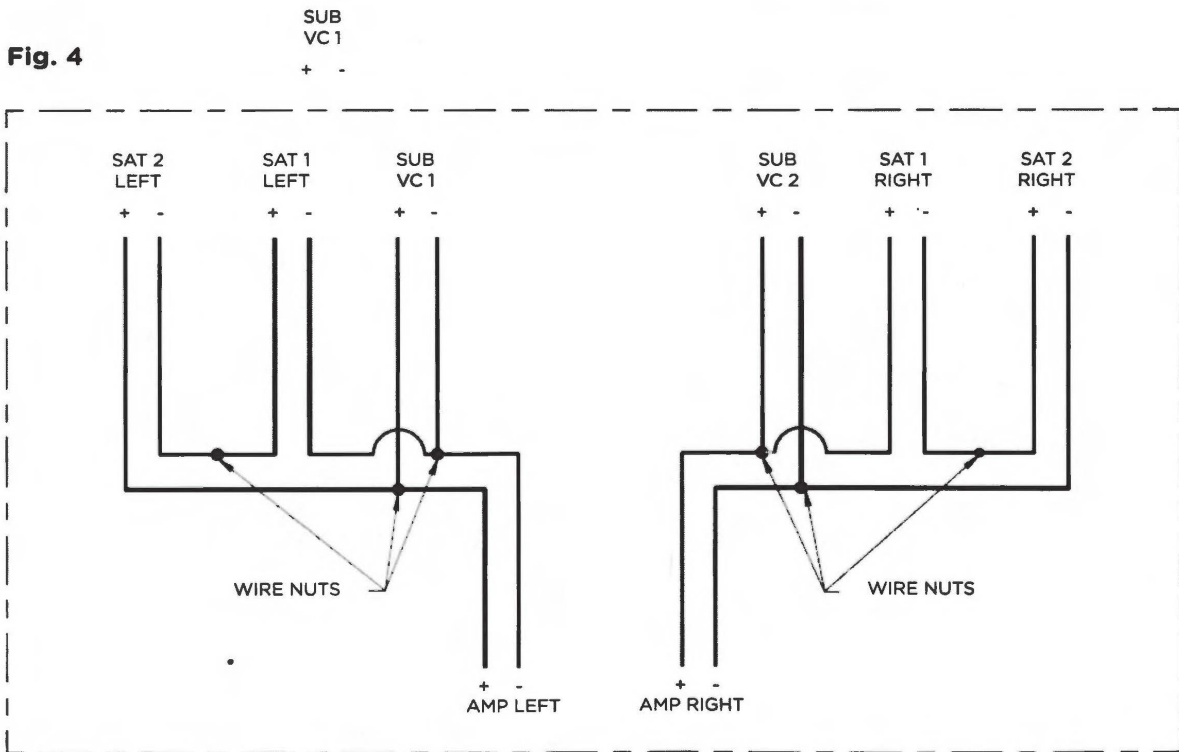


Fig. 4



LIMITED WARRANTY

Polk Audio, Inc. warrants to the original purchaser only that this Polk Audio Loudspeaker Product (the "Product") will be free from defects in materials and workmanship for a period of five (5) years from the date of original retail purchase from a Polk Audio Authorized Dealer. However, this Warranty will automatically terminate prior to the expiration of the five (5) years if the original retail purchaser sells or otherwise transfers the Product to any other party. The original retail purchaser shall hereinafter be referred to as "you." To allow Polk Audio to offer the best possible warranty service, please fill out the Product Registration Card(s) and send it to the Factory, at the address provided on the Product Cards(s) within ten (10) days of the date of purchase. Defective Products must be shipped, together with proof of purchase, prepaid insured to the Polk Audio Authorized Dealer from whom you purchased the Product, or to the Factory at 1 Viper Way, Vista, California 92081. Products must be shipped in the original shipping container or its equivalent; in any case the risk of loss or damage in transit is to be borne by you. If upon examination at the Factory or Polk Audio Authorized Dealer it is determined that the unit was defective in materials or workmanship at any time during this Warranty period, Polk Audio or the Polk Audio Authorized Dealer will, at its option, repair or replace this Product at no additional charge, except as set forth below. All replaced parts and Products become the property of Polk Audio. Products replaced or repaired under this warranty will be returned to you, within a reasonable time, freight prepaid.

This warranty does not include service or parts to repair damage caused by accident, disaster, misuse, abuse, negligence, inadequate packing or shipping procedures, commercial use, voltage inputs in excess of the rated maximum of the unit, cosmetic appearance of cabinetry not directly attributable to defect in materials or workmanship, or service, repair, or modification of the Product which has not been authorized or approved by Polk Audio. This warranty shall terminate if the Serial number on the Product has been removed, tampered with or defaced. This warranty is in lieu of all other expressed Warranties. If this Product is defective in materials or workmanship as warranted above, your sole remedy shall be repair or replacement as provided above. In no event will Polk Audio, Inc. be liable to you for any incidental or consequential damages arising out of the use or inability to use the Product, even if Polk Audio, Inc. or a Polk Audio Authorized Dealer has been advised of the possibility of such damages, or for any claim by any other party. Some states do not allow the exclusion or limitation of consequential damages, so the above limitation and exclusion may not apply to you.

All implied warranties on this Product are limited to the duration of this expressed Warranty. Some states do not allow limitation on how long an implied Warranty lasts, so the above limitations may not apply to you. This Warranty gives you specific legal rights, and you also may have other rights which vary from state to state.

This Warranty applies only to Products purchased in the United States of America, its possessions, and U.S. and NATO armed forces exchanges and audio clubs. The Warranty terms and conditions applicable to Products purchased in other countries are available from the Polk Audio Authorized Distributors in such countries.



1 VIPER WAY
VISTA, CALIFORNIA 92081
+1 (760) 536-5300 (US & CAN, OUTSIDE US +1 410-358-3600)
WWW.POLKAUDIO.COM

HBP17978



ATRIUM® SAT300

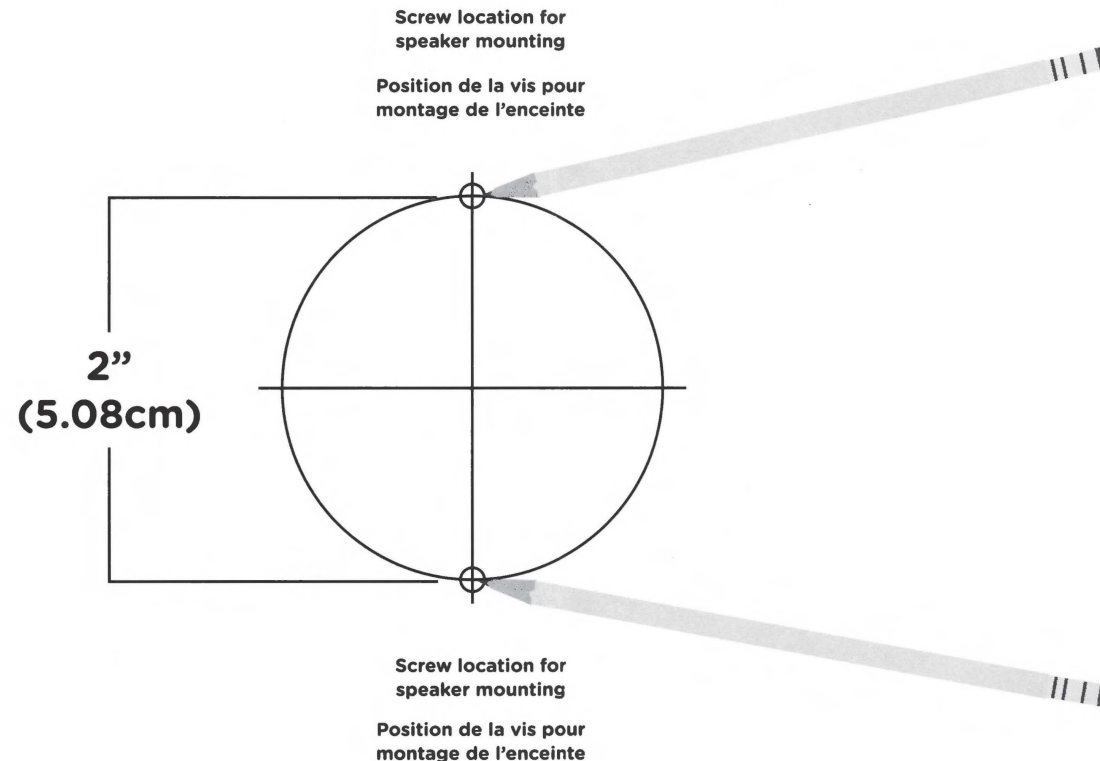
Mounting Template—Gabarit D'installation

Use this template to mount an Atrium SAT300 to a solid surface, such as a post or wall.

1. Using the mounting template, mark the screw hole locations with a pencil.
2. Drill the mounting holes (if necessary).
NOTE: Use wall anchors (not supplied) if mounting onto drywall.
3. Hold the SAT300 assembly to the mounting surface and swivel the speaker so that it doesn't block the bracket screw holes.
4. Tighten the knob to hold speaker in place and sink two #6 panhead screws.
NOTE: The optional rubber bumper can be used to provide mechanical isolation between the Atrium SAT300 and the mounting surface.
5. Swivel the Atrium SAT300 into the desired position.
6. Tighten the knob to secure speaker into position.

Utilisez ce gabarit pour installer une enceinte Atrium SAT300 sur une surface rigide, comme un mur ou un poteau.

1. Utilisez le gabarit d'installation et un crayon pour marquer l'emplacement des trous de vis.
2. Percez les trous (si nécessaire).
NOTE: Utilisez des chevilles d'ancrage (non fournies) pour installation sur placoplâtre.
3. Tenez l'enceinte sur la surface d'installation puis pivotez-la pour dégager l'accès aux trous de vis du support.
4. Resserrez le bouton pour retenir l'enceinte en place puis fixez l'ensemble à tête cylindrique #6.
NOTE: Le butoir en caoutchouc peut être utilisé pour isoler physiquement l'Atrium SAT300 de la surface d'installation (facultatif).
5. Desserrez le bouton et orientez l'Atrium SAT300 selon vos préférences.
6. Resserrez le bouton pour bloquer l'enceinte en place.





This is your Product Model and Serial Number. Enter this number in the "Serial Number" space when registering your product online. Keep this card handy for Model and Serial Number reference when calling Polk Customer Service.



Register your new Polk product online now!

www.polkaudio.com/registration/

- Creates a permanent record of your purchase, in case you misplace your original receipt.
- Keeps you up to date when there is news and announcements about your product.
- Registering your product has no effect on your warranty. Warranties apply as stated in your product manual.

We take your privacy seriously. Polk does not share or sell information to any other parties, unless directed by court order.

No internet access? Call Polk Customer Service 800-377-7655 (US & Canada only). Outside the US & Canada, call +1 410-358-3600. We'll walk you through the simple registration process!

**Questions? Concerns? Contact Polk Customer Service, 9am - 5:30pm, M-F, EST (USA)
800-377-7655 US & Canada only • +1 410-358-3600 outside US & Canada • polkcs@polkaudio.com**