

## UL 2525 and NFPA 72 Compliant Area of Refuge Command Units

UL 2525 and NFPA 72 compliant analog Command Units accommodate up to 5 or 10 ADA-compliant Area of Refuge (AOR) Call Stations.

### FEATURES AND BENEFITS

- UL 2525 Listed AOR Command Units (with **-ETL** in the model number) are fully compliant with NFPA 72 (2022) §24.10, IBC (2024) §1009.8, ICC A117.1 (2017) Ch. 7, and ADAAG (2010) Ch. 7
- Standard systems conform to NFPA 72 (2022) §24.10, IBC (2021) §1009.8, ICC A117.1 (2017) Ch. 7, and ADAAG (2010) Ch. 7
- Automatically and continuously supervises for integrity (opens, shorts, and system ground fault), low battery backup, and 24VDC input power fail—alerts by relay output to an addressable fire panel, LED, and sounder
- Accommodates up to five (5) or ten (10) ADA-compliant AOR Call Stations
- AOR Call Stations receive power from Command Unit—powered by 24VDC
- LEDs on Command Unit indicate calling station and line status
- Supports up to two (2) Sub-Command Units for additional approved on-site answering points
- On-site calling to constantly attended location requires no outside phone line
- Off-site calling requires one (1) analog phone line (PSTN line) or cellular gateway
- Solid LED indicates active call. Flashing LEDs indicate stations that are waiting to be answered. Multiple calls are placed in queue on a “first-in, first-out (FIFO)” basis.
- Built-in battery backup (24-hours non-active, 4-hours active)
- Includes built-in handset with volume control
- Dedicated talk/hold buttons for each AOR Call Station
- Disconnect button for emergency services (i.e. connection through analog phone line/PSTN line)
- Options available for surface mounting, flush mounting, and cabinet with door
- Available with ETL Listing to UL Standard 2525 (model numbers with **-ETL** designator)



UL 2525 Listed Model:  
HON-AOR-5-ETL-R



UL 2525 Listed Model:  
HON-AOR-10-ETL



UL 2525 Listed Model:  
HON-AOR-10-DKLETL-R



# Analog Area of Refuge Command Units Ordering Information

## COMMAND UNITS

|            | Model Series   | Station Count Support                          | Form Factor                                             | UL 2525 Listed                                                                                                      | Enclosure Color                                        |
|------------|----------------|------------------------------------------------|---------------------------------------------------------|---------------------------------------------------------------------------------------------------------------------|--------------------------------------------------------|
|            | <b>HON-AOR</b> | <b>-5</b><br>Supports up to five (5) stations  | <b>[Leave Blank]</b><br>Standard enclosure without door | <b>[Leave Blank]</b><br>Not listed                                                                                  | <b>[Leave Blank]</b><br>Enclosure is finished in black |
|            |                | <b>-10</b><br>Supports up to ten (10) stations | <b>-DKL</b><br>Enclosure with door and keyed latch      | <b>-ETL</b><br>UL 2525 Listed.<br>Requires UL 2525 Listed AOR Call Stations configured with the <b>-ETL</b> option. | <b>-R</b><br>Enclosure is finished in red              |
| Example #1 | <b>HON-AOR</b> | <b>-5</b>                                      | <b>-DKL</b>                                             |                                                                                                                     |                                                        |
| Example #2 | <b>HON-AOR</b> | <b>-10</b>                                     |                                                         | <b>-ETL</b>                                                                                                         | <b>-R</b>                                              |

| MODEL NUMBER         | DESCRIPTION                                                                                                                                                                                                                                                      |
|----------------------|------------------------------------------------------------------------------------------------------------------------------------------------------------------------------------------------------------------------------------------------------------------|
| HON-AOR-5            | Area of Refuge Command Unit with 5-station capacity. Use HON-AOR-TR10 (not included) to flush mount. Enclosure is painted black.                                                                                                                                 |
| HON-AOR-5-R          | Area of Refuge Command Unit with 5-station capacity. Use HON-AOR-TR10-R (not included) to flush mount. Enclosure is painted red.                                                                                                                                 |
| HON-AOR-5-ETL        | Area of Refuge Command Unit with 5-station capacity. Use HON-AOR-TR10 (not included) to flush mount. Enclosure is painted black. ETL Listed to UL Standard 2525. Requires AOR Call Stations configured with the <b>-ETL</b> option.                              |
| HON-AOR-5-ETL-R      | Area of Refuge Command Unit with 5-station capacity. Use HON-AOR-TR10-R (not included) to flush mount. Enclosure is painted red. ETL Listed to UL Standard 2525. Requires AOR Call Stations configured with the <b>-ETL</b> option.                              |
| HON-AOR-5-DKL        | Area of Refuge Command Unit with 5-station capacity and door with keyed latch. Use HON-AOR-TR10-D (not included) to flush mount. Enclosure is painted black.                                                                                                     |
| HON-AOR-5-DKL-R      | Area of Refuge Command Unit with 5-station capacity and door with keyed latch. Use HON-AOR-TR10-D-R (not included) to flush mount. Enclosure is painted red.                                                                                                     |
| HON-AOR-5-DKL-ETL    | Area of Refuge Command Unit with 5-station capacity and door with keyed latch. Use HON-AOR-TR10-D (not included) to flush mount. Enclosure is painted black. ETL Listed to UL Standard 2525. Requires AOR Call Stations configured with the <b>-ETL</b> option.  |
| HON-AOR-5-DKL-ETL-R  | Area of Refuge Command Unit with 5-station capacity and door with keyed latch. Use HON-AOR-TR10-D-R (not included) to flush mount. Enclosure is painted red. ETL Listed to UL Standard 2525. Requires AOR Call Stations configured with the <b>-ETL</b> option.  |
| HON-AOR-10           | Area of Refuge Command Unit with 10-station capacity. Use HON-AOR-TR10 (not included) to flush mount. Enclosure is painted black.                                                                                                                                |
| HON-AOR-10-R         | Area of Refuge Command Unit with 10-station capacity. Use HON-AOR-TR10-R (not included) to flush mount. Enclosure is painted red.                                                                                                                                |
| HON-AOR-10-ETL       | Area of Refuge Command Unit with 10-station capacity. Use HON-AOR-TR10 (not included) to flush mount. Enclosure is painted black. ETL Listed to UL Standard 2525. Requires AOR Call Stations configured with the <b>-ETL</b> option.                             |
| HON-AOR-10-ETL-R     | Area of Refuge Command Unit with 10-station capacity. Use HON-AOR-TR10-R (not included) to flush mount. Enclosure is painted red. ETL Listed to UL Standard 2525. Requires AOR Call Stations configured with the <b>-ETL</b> option.                             |
| HON-AOR-10-DKL       | Area of Refuge Command Unit with 10-station capacity and door with keyed latch. Use HON-AOR-TR10-D (not included) to flush mount. Enclosure is painted black.                                                                                                    |
| HON-AOR-10-DKL-R     | Area of Refuge Command Unit with 10-station capacity and door with keyed latch. Use HON-AOR-TR10-D-R (not included) to flush mount. Enclosure is painted red.                                                                                                    |
| HON-AOR-10-DKL-ETL   | Area of Refuge Command Unit with 10-station capacity and door with keyed latch. Use HON-AOR-TR10-D (not included) to flush mount. Enclosure is painted black. ETL Listed to UL Standard 2525. Requires AOR Call Stations configured with the <b>-ETL</b> option. |
| HON-AOR-10-DKL-ETL-R | Area of Refuge Command Unit with 10-station capacity and door with keyed latch. Use HON-AOR-TR10-D-R (not included) to flush mount. Enclosure is painted red. ETL Listed to UL Standard 2525. Requires AOR Call Stations configured with the <b>-ETL</b> option. |

## EXTERNAL POWER SUPPLY

| MODEL NUMBER     | DESCRIPTION                                                                                                                                                                    |
|------------------|--------------------------------------------------------------------------------------------------------------------------------------------------------------------------------|
| HON-AOR-PSU-5-10 | Class 2 power supply with enclosure for HON-AOR-5* or HON-AOR-10* Command Unit. 115VAC input, 24VDC output. Required for Command Units configured with the <b>-ETL</b> option. |

## SUB-COMMAND UNIT

| MODEL NUMBER  | DESCRIPTION                                                                                                                                 |
|---------------|---------------------------------------------------------------------------------------------------------------------------------------------|
| HON-AOR-SCU-1 | Sub-Command Unit for HON-AOR-5* or HON-AOR-10* Command Unit. Up to two (2) supported for secondary on-site Area of Refuge answering points. |

# Analog Area of Refuge Command Units Ordering Information

## FLUSH MOUNT TRIM RINGS

| MODEL NUMBER     | DESCRIPTION                                                                                                  |
|------------------|--------------------------------------------------------------------------------------------------------------|
| HON-AOR-TR10     | Flush mount trim ring for HON-AOR-5* or HON-AOR-10* Command Unit without door. Unit is painted black.        |
| HON-AOR-TR10-R   | Flush mount trim ring for HON-AOR-5*-R or HON-AOR-10*-R Command Unit without door. Unit is painted red.      |
| HON-AOR-TR10-D   | Flush mount trim ring for HON-AOR-5-DKL* or HON-AOR-10-DKL* Command Unit with door. Unit is painted black.   |
| HON-AOR-TR10-D-R | Flush mount trim ring for HON-AOR-5-DKL*-R or HON-AOR-10-DKL*-R Command Unit with door. Unit is painted red. |

## CELLULAR GATEWAYS

| MODEL NUMBER           | DESCRIPTION                                                                                                                                                           |
|------------------------|-----------------------------------------------------------------------------------------------------------------------------------------------------------------------|
| HON-AOR-CGW-4G-GSM     | AT&T 4G/LTE cellular gateway for analog AOR systems. Does not include MIMO antenna kit. Please order HON-AOR-CGW-ANT-6-KIT or HON-AOR-CGW-ANT-17-KIT.                 |
| HON-AOR-CGW-4G-V       | Verizon 4G/LTE cellular gateway for analog AOR systems. Does not include MIMO antenna kit. Please order HON-AOR-CGW-ANT-6-KIT or HON-AOR-CGW-ANT-17-KIT.              |
| HON-AOR-CGW-ANT-17-KIT | MIMO antenna with 17ft. cable assembly. For AOR cellular gateways (HON-AOR-CGW-4G-GSM or HON-AOR-CGW-4G-V). Includes U-bolts and 2-inch right-angle mounting bracket. |
| HON-AOR-CGW-ANT-6-KIT  | MIMO antenna with 6ft. cable assembly. For AOR cellular gateways (HON-AOR-CGW-4G-GSM or HON-AOR-CGW-4G-V). Includes U-bolts and 2-inch right-angle mounting bracket.  |

## AOR CALL STATIONS

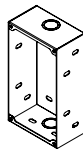
| MODEL NUMBER           | DESCRIPTION                                                                                                                                                                                                                       |
|------------------------|-----------------------------------------------------------------------------------------------------------------------------------------------------------------------------------------------------------------------------------|
| HON-AOR-CSE-NM         | Analog AOR Call Station with EMERGENCY signage. Does not include mount.                                                                                                                                                           |
| HON-AOR-CSE-NM-1R0-ETL | Analog AOR Call Station with EMERGENCY signage, one (1) relay output, "POWER ON" LED, and 1.25-inch dia. pushbutton. Does not include mount.<br><br>ETL Listed to UL 2525. Requires Command Unit configured with the -ETL option. |



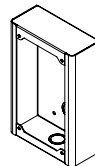
Model:  
HON-AOR-CSE-NM

## MOUNTS FOR AOR CALL STATIONS

| MODEL NUMBER    | DESCRIPTION                         |
|-----------------|-------------------------------------|
| HON-AOR-CS-FM-1 | Flush mount for AOR Call Stations   |
| HON-AOR-CS-SM-1 | Surface mount for AOR Call Stations |



Model:  
HON-AOR-CS-FM-1



Model:  
HON-AOR-CS-SM-1

## SIGNAGE

| MODEL NUMBER      | DESCRIPTION                                                                                                                                                            |
|-------------------|------------------------------------------------------------------------------------------------------------------------------------------------------------------------|
| AOR-SIGN-AD-EC-1  | Acrylic, self-adhesive, "EMERGENCY COMMUNICATION" sign. Includes ADA symbol of accessibility, raised letters, and braille. White on blue. Measures 7.75 in. x 7.75 in. |
| AOR-SIGN-AD-EC-2  | Photoluminescent plastic, self-adhesive, "EMERGENCY COMMUNICATION" sign. Includes ADA symbol of accessibility. Measures 7.75 in. x 7.75 in.                            |
| AOR-SIGN-ADG-AR-1 | Photoluminescent plastic, self-adhesive, "AREA OF RESCUE" sign. Includes ADA symbol of accessibility. Measures 7.75 in. x 7.75 in.                                     |
| ETP-SIGN          | Polycarbonate, self-adhesive Area of Rescue sign                                                                                                                       |
| ETP-SIGN/R        | Polycarbonate, self-adhesive Area of Refuge sign                                                                                                                       |
| ETP-SIGN-PFH      | Polycarbonate, self-adhesive Push For Help sign                                                                                                                        |
| ETP-SIGN/L        | Lighted Area of Rescue Sign                                                                                                                                            |
| ETP-SIGN/LR       | Lighted Area of Refuge Sign                                                                                                                                            |
| ETP-SIGN/LD       | Deluxe Lighted Area of Rescue Sign w/ battery backup                                                                                                                   |
| ETP-SIGN/LDR      | Deluxe Lighted Area of Refuge Sign w/ battery backup                                                                                                                   |



Model:  
ETP-SIGN



Model:  
ETP-SIGN/R



Model:  
ETP-SIGN/L



Model:  
ETP-SIGN/LR



Model:  
ETP-SIGN/LD



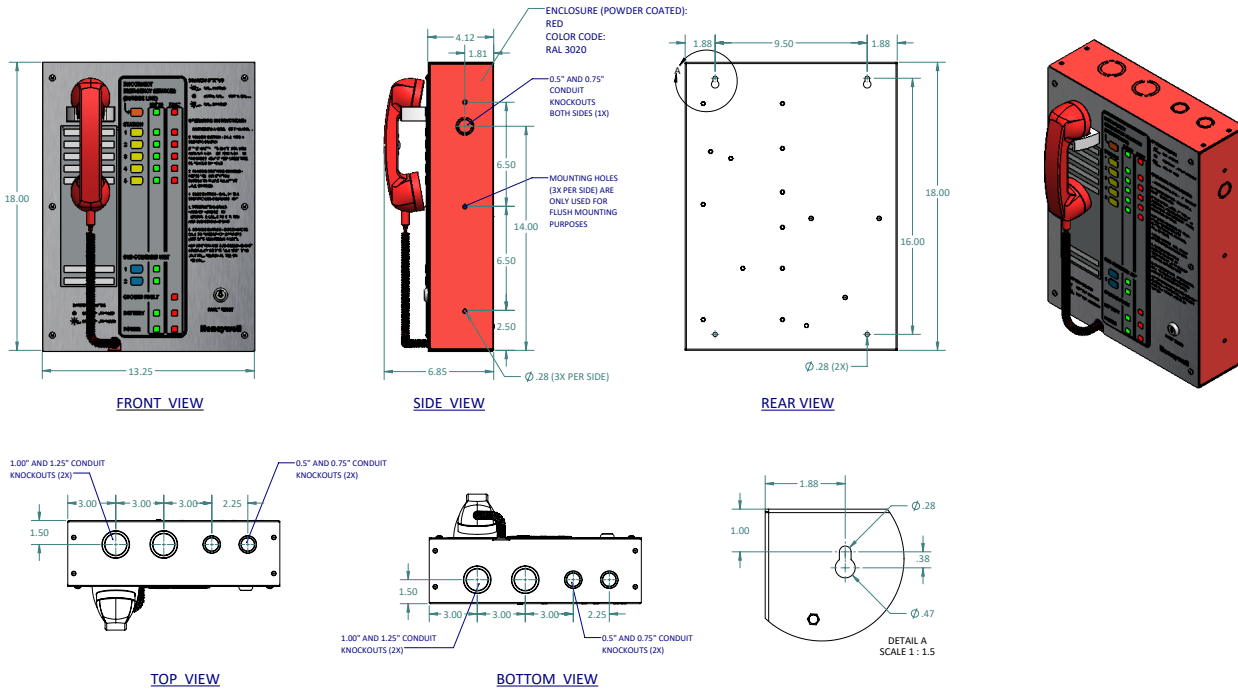
Model:  
ETP-SIGN/LDR



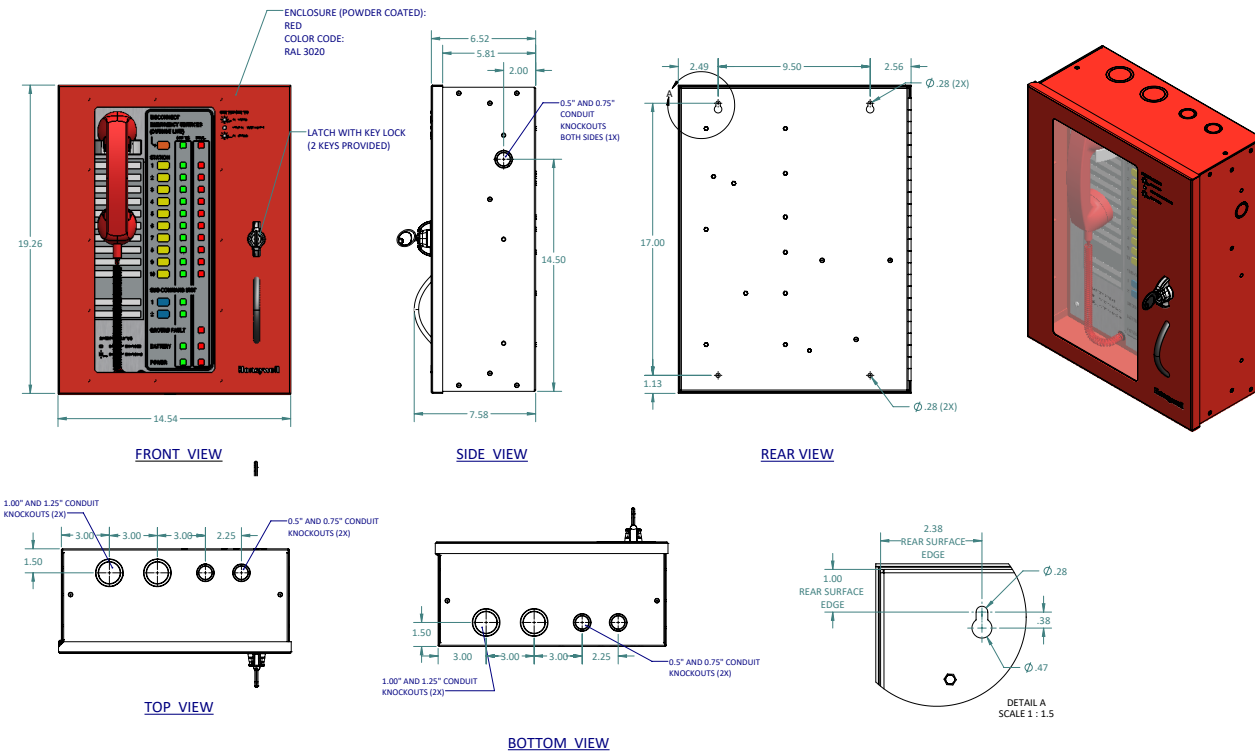
Model:  
ETP-SIGN-PFH

# Analog Area of Refuge Command Units Dimensions

## MODEL: HON-AOR-5-ETL-R



## MODEL: HON-AOR-10-DKL-ETL-R



**IMPORTANT NOTE:** All dimensions are in inches and are provided for reference only.

# Analog Area of Refuge Command Units Technical Specifications

## CONSTRUCTION

16 gauge, powder coated steel

## MOUNTING

Flush mount with optional trim ring or surface mount

## COMMUNICATION

Built-in handset with volume control receives calls—selectively originate calls using the front panel interface buttons

## POWER SOURCE

**Command Unit:** 24VDC, 2A (built-in battery backup, 24-hours non-active, 4-hours active)

**Call Stations:** Line-powered by Command Unit

## CONNECTIVITY

Supports one (1) analog phone line (PSTN line) or cellular gateway for off-site dialing

## WIRING

One (1) twisted, shielded 18-24 AWG pair per AOR Call Station not to exceed 25 ohms resistance

## ENVIRONMENT

For indoor use

## SUPERVISION RELAY OUTPUT

- Any AOR Call Station Activation
- 24VDC Input Power Fail
- Low Battery Backup (Low Voltage Detected)
- Open/Short Fault on AOR Call Stations
- System Ground Fault

## FAULT RESET

Keyed switch provided for authorized personnel to temporarily silence while faults are corrected or to re-test/reset fault indicators after faults have been resolved

## PHYSICAL (WITHOUT DOOR)

**Dimensions with Handset:** 13.3 x 18.0 x 6.9 in.

**Dimensions without Handset:** 13.3 x 18.0 x 4.1 in.

**Dimensions with Trim Ring:** 15.3 x 20.1 x 6.9 in.

**Weight:** 25 lbs. (11.3 kg)

## PHYSICAL (WITH DOOR)

**Dimensions with Handle:** 14.6 x 19.3 x 7.6 in.

**Dimensions without Handle:** 14.6 x 19.3 x 6.5 in.

**Dimensions with Trim Ring:** 16.3 x 21.1 x 7.6 in.

**Weight:** 35 lbs. (15.9 kg)

## WARRANTY

5-year limited warranty

## Talk-A-Phone, LLC

7530 N. Natchez Ave.

Niles, IL 60714

773.539.1100

sales@talkaphone.com

www.honeywellareaofrefuge.com

© 2024 Talk-A-Phone, LLC. All rights reserved.  
Specifications subject to change without notice.

The Honeywell trademark is used under license from Honeywell International Inc. Honeywell International Inc. makes no representation or warranties with respect to these products. These products are manufactured by Talk-A-Phone, LLC, Niles, IL 60714, USA.

730-00003 | Rev A | 06/12/2024

