

The interior of the Evolution™ Series 4" Poke-Thru Device.

Evolution Series –The most innovative poke-thru devices in the market

Designed for retrofit and new construction, Evolution Series 4" Poke-Thru devices provide convenient access to power, communications, and audio/video services recessed below floor level - providing maximum device protection. Two gangs of capacity allow you to configure services for the needs of your space.

Evolution Series 4" Poke-Thru devices are the perfect fit for kiosks, training rooms, classrooms, healthcare facilities or commercial buildings with open-space architecture.

Features & Benefits

- **Recessed devices.** Two (2) compartments for power, communications, and/or A/V devices, all recessed 4" (102mm) below the floor level, providing maximum protection and device longevity.
- **Die-cast aluminum cover assemblies.** The Evolution Series poke-thru design includes a low profile all metal die-cast aluminum cover assembly, available in powder coated finishes of black, gray, and bronze, as well as brushed aluminum, satin brass plated, and satin nickel plated finishes. The cover also features sliding doors that allow cables to neatly egress from the unit, protecting cables while reducing tripping hazards.
- **A/V compatible design.** The 4AT Series devices are designed to work with Legrand's AVIP devices. Also compatible with most A/V manufacturers devices including their 1-gang decorator style design.
- **"Step-on-it" installation.** Quick and easy installation without the need for additional fasteners or a second installer.
- **Pre-pour sleeve.** Creates a removable cast-in-place core hole that allows the contractor to position poke-thru units before concrete is poured. Eliminates the cost and labor of coring the opening.
- **TopGuard™ Protection.** All Evolution Series Poke-Thru Devices, like every Wiremold Poke-Thru Device, meet and exceed UL scrub water exclusion requirements for tile, carpet, and wood covered floors.
- **Meets ADA Accessibility Guidelines.** Wide trim flange is designed to meet the ADA Accessibility Guidelines as it pertains to ADA Standard 4.5 which addresses changes in floor and ground surface levels. The poke-thru trim flanges are beveled so the slope is no greater than 1:2 ratio.
- **Suitable for use in air handling spaces.** In accordance with Sec 300-22(C) of the National Electrical Code.
- **UL Listed and UL Fire Classified to U.S. and Canadian safety standards.** UL Fire rated for up to 2-hour rated floors maintains the fire classification of the floor.
- **Flush tile version cover assemblies.** A flush style cover for tile applications allows the Evolution Series Poke-thru Devices to be adjusted to the same level as the top surface of the floor covering. The tile cover is designed to be used in higher traffic applications, where a low profile is a must.

Vertical Markets

- Commercial
- Hospitality
- Education
- Entertainment
- Healthcare
- Retail



Download this product's PEP ecopassport, environmental product declaration at www.legrand.us/resources-and-downloads. This declaration conforms with ISO 14025 and 14040 and is in alignment with EN 15804.

Compliance



cULus Listed, Metallic Outlet Box File Number E2961. Guide QCIT.
cULus Listed Nonmetallic Outlet Boxes & Fittings
Classified for Fire Resistance: File R8209, Guide CEYY.

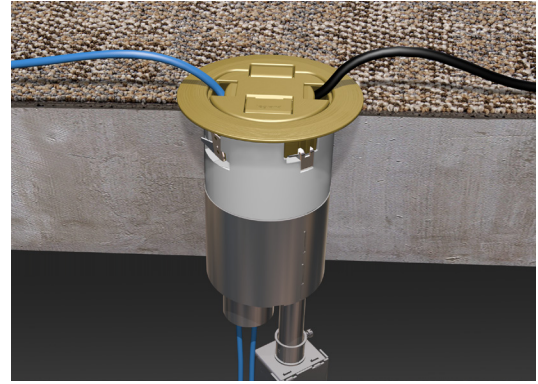
For more information or to configure your own Evolution™ Series Poke-Thru Device, visit our online configurator at:

www.legrand.us/wiremold/evolution.

Cabling Specifications

Copper Cross Section:

The copper cross-sectional area determines the amount of wire fill capacity in a poke-thru device. Unlike other wire and cable management systems that utilize wire fill capacity, a poke-thru device is UL tested under fire conditions to determine the maximum amount of copper conductors that will pass through a poke-thru device, while maintaining the fire-rating of the floor assembly. All Legrand Poke-Thru Devices are UL Classified to U.S. and Canadian safety standards.



4AT COPPER CROSS-SECTION

	POWER	DATA
Power Only	(6) 12 AWG	0
A/V & Data	0	(76) #23 AWG (98) #24 AWG (154) #26 AWG
Power A/V & Data	(3) #12 AWG	(38) #23 AWG (48) #24 AWG (77) #26 AWG
Max Copper X-Section	0.0308 sq. in. (19.86mm ²)	0.0308 sq. in. (19.86mm ²)

NOTE: When using conductor sizes other than listed above, the aggregate cross-sectional area of the copper conductors shall not exceed the cross-sectional area listed.

Copper Cross-Sectional Area of Commonly Used Conductors		
Size	Solid	
#24	0.00032 sq. in.	(.206mm ²)
#23	0.00040 sq. in.	(.258mm ²)
#22	0.00050 sq. in.	(.322mm ²)
#14	0.00323 sq. in.	(2.083mm ²)
#12	0.00512 sq. in.	(3.303mm ²)
#10	0.00815 sq. in.	(5.258mm ²)
# 8	0.01296 sq. in.	(8.361mm ²)

NOTE: Use above values for solid or stranded conductors.

Flooring Specifications

4AT CORE HOLE SIZES

FLOOR TYPE	CORE SIZE (Min.)	CORE SIZE (Max.)
Covered Floors (Carpet, Tile or Wood)	4" (102mm)	4 1/8" (105mm)
Bare Concrete or Terrazzo	4" (102mm)	4 1/8" (105mm)

CAUTION: These devices are suitable for 1-, 1 1/2-, and 2-hour rated floor assemblies as described in the UL Fire Resistance directory for each service.

These devices meet all UL scrub water requirements, but are not suitable for wet or damp locations, or other areas subject to saturation with water or other liquids, such as commercial kitchens.

Floor Coverings: The poke-thru device is fire rated for concrete floor coverings. For floor coverings greater than 1" (25mm), consult factory.

UL Certification: To view the UL certification, please visit www.UL.com/Database. Enter "Wiremold" as the company name and "CEYY" as the UL Category Code.

Poke-thru devices and abandonment fittings are for use with 1-, 1 1/2-, or 2-hour rated unprotected reinforced concrete floor and 1-, 1 1/2- or 2-hour rated floors employing unprotected steel floor units and concrete topping (D900-Series Designs), or concrete floors with suspended ceilings. (Fire resistive designs with suspended ceilings should have provisions for accessibility in the ceiling area below the poke-thru fittings.)

The assembled Poke-Thru stem and service fitting or the abandonment fittings will not reduce the ratings of the floor assembly when the thickness and type of concrete (required for the specific rating) are within the specified limits and the fittings are installed as specified:

- Spacing** – Minimum of 2' (610mm) OC and not more than one unit per 65 square feet (6 square meters) of floor area in each span.
- Concrete** – Minimum thickness of structural concrete topping of 2 1/4" (57mm) over metal deck or a minimum 3" thick reinforced concrete slab. Unit weight of concrete to be 110 to 155 pcf.
- Installation** – Mounted in a 4" (102mm) diameter core drilled hole in concrete per installation instructions accompanying the fittings or abandonment fittings. For use with power circuits, data and/or telephone cables as tabulated below.

NOTE: The material that is used in Wiremold® poke-thru devices is not listed under the directory for Fire Stopping Material because the poke-thru device is UL Classified as "Outlet Boxes and Fittings Classified For Fire Resistance (CEYY)". The pass/fail criteria comes from UL263. The pass criteria is that the poke-thru unit cannot exceed 325° F. above ambient before the concrete slab (or deck) reaches this same temperature. Some poke-thru devices are tested for 2 hours while others are tested for 4 hours. The intumescent material has never been tested as a fire-stopping material as a stand-alone device. This material is designed to work as a unit with the entire poke-thru device.

Evolution Series 4" Poke-Thru Devices Ordering Information

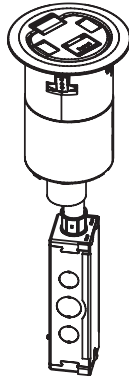
Catalog No./Item

Powder Coat Finishes

4ATCP2RBK
4ATCP2RBZ
4ATCP2RGY

Durable Finishes

4ATCP2RAA
4ATCP2RSB
4ATCP2RSN



Description/Specifications

Recessed Prewired Dual Service Surface Style Poke-Thru Assembly -

- Designed to be installed in concrete floors
- Accessibility to ceiling space below floor is required to feed power, data and A/V services
- Installs into a 4" (102mm) to a 4 1/8" (105mm) diameter hole
- Unit comes complete with surface style cover, one (1) prewired, pre-installed duplex receptacle that is recessed 3 3/4" (95mm) below floor surface level and one (1) empty gang
- Surface style cover is aluminum and is designed to sit on top of finished floor surfaces, including: carpet, tile, wood, polished concrete or terrazzo
- Covers are available in six finishes
 - Three powder coat finishes: black (BK), gray (GY), and bronze (BZ)
 - Three durable finishes: Brushed aluminum (AA), satin brass plated (SB), and satin nickel plated (SN)

NOTE: UL Fire Classified for up to 2-hour rated floors.

NOTE: Receptacles can be wired as a standard or isolated ground device.

NOTE: 4MAAP Device Plate sold separately.

Country of Origin: USA

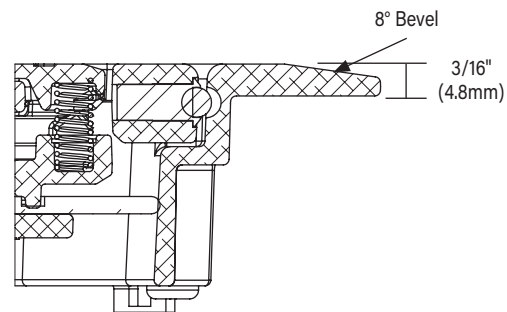
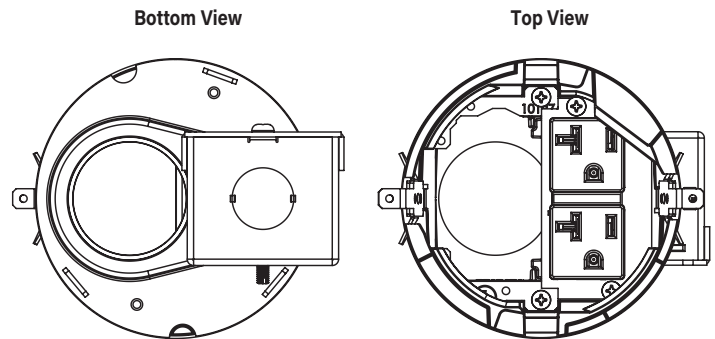
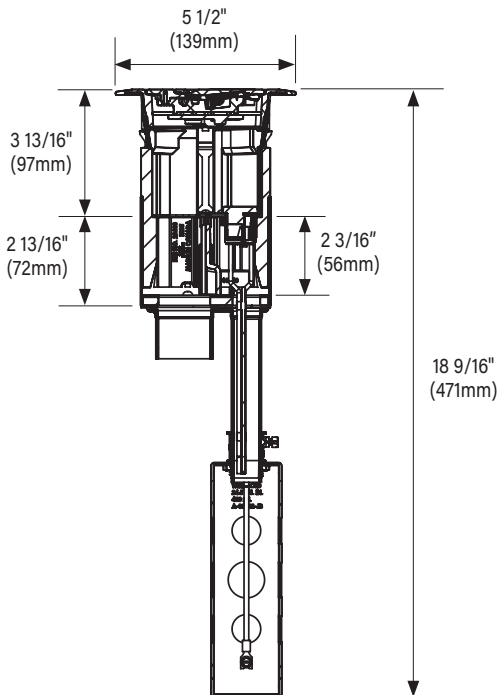
INCLUDED

Devices & Device Plates:

- One (1) proprietary Tamper-Resistant 20A Duplex Receptacle installed
- One (1) 42A Device Plate

Bottom Feed:

- One (1) 3/4" trade size conduit stub, located below receptacle
- One (1) 1 1/2" trade size conduit stub, located below open gang



Surface Style Cover

NOTE: For more information on Device Plates and Bottom Feed Plates and on the additional options available, see the Device Plates and Bottom Feed Plates sections found later in this document.

* Divider included to separate power and low voltage compartments.

** Includes junction box attached to the 3/4" trade size conduit.

Evolution Series 4" Poke-Thru Devices Ordering Information

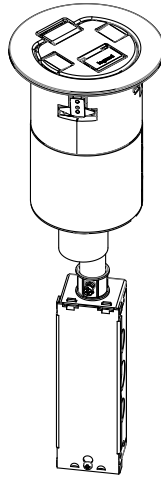
Catalog No./Item

Powder Coat Finishes

4ATP2RBK
4ATP2RBZ
4ATP2RGY

Durable Finishes

4ATP2RAA
4ATP2RSB
4ATP2RSN



Description/Specifications

Recessed Prewired Dual Service Flush Style Poke-Thru Assembly -

- Designed to be installed in concrete floors
- Accessibility to ceiling space below floor is required to feed power, data and A/V services
- Installs into a 4" (102mm) to a 4 1/8" (105mm) diameter hole
- Unit comes complete with flush style cover, one (1) prewired, pre-installed duplex receptacle that is recessed 3 3/4" (95mm) below floor surface level and one (1) empty gang
- The flush style cover is an aluminum cover that is designed to sit flush with finished floor coverings such as: carpet, tile, or wood
- Covers are available in six finishes
 - Three powder coat finishes: black (BK), gray (GY), and bronze (BZ)
 - Three durable finishes: Brushed aluminum (AA), satin brass plated (SB), and satin nickel plated (SN)

Country of Origin: USA

NOTE: UL Fire Classified for up to 2-hour rated floors.

NOTE: Receptacles can be wired as a standard or isolated ground device.

NOTE: 4MAAP Device Plate sold separately.

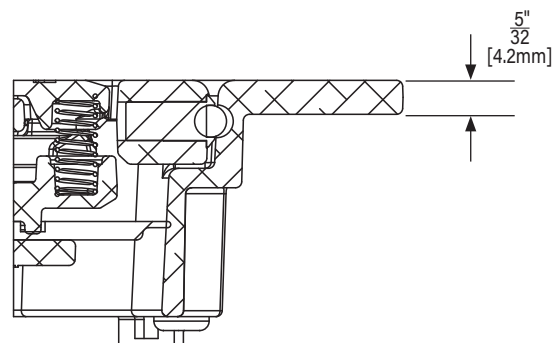
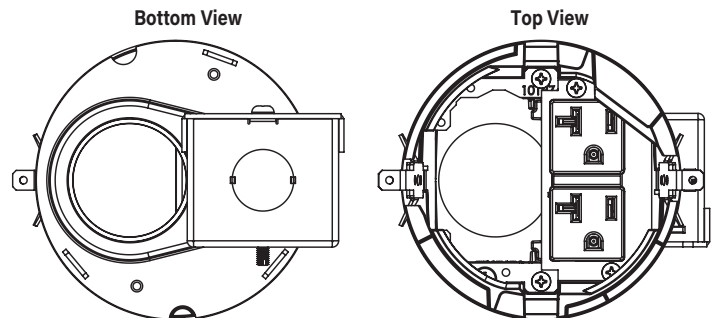
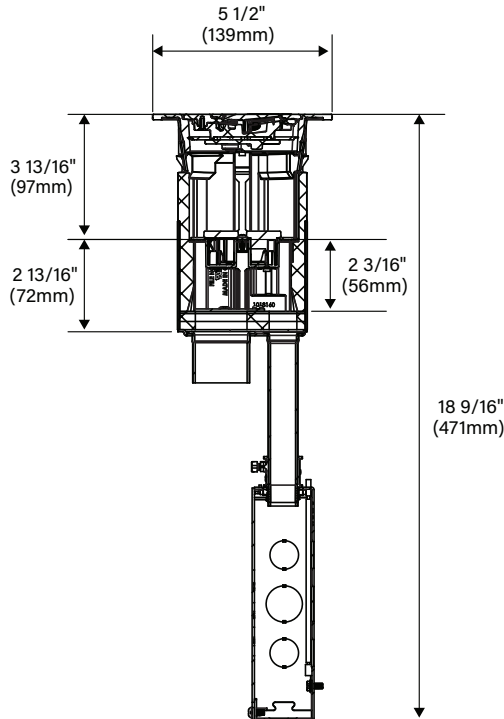
INCLUDED

Devices & Device Plates:

- One (1) proprietary Tamper-Resistant 20A Duplex Receptacle installed
- One (1) 42A Device Plate

Bottom Feed:

- One (1) 3/4" trade size conduit stub, located below receptacle
- One (1) 1 1/2" trade size conduit stub, located below open gang



Flush Style Cover

NOTE: For more information on Device Plates and Bottom Feed Plates and on the additional options available, see the Device Plates and Bottom Feed Plates sections found later in this document.

* Divider included to separate power and low voltage compartments.

** Includes junction box attached to the 3/4" trade size conduit.

Evolution Series 4" Poke-Thru Devices Ordering Information

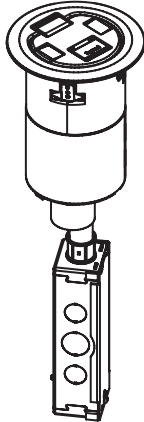
Catalog No./Item

Powder Coat Finishes

4ATCP4RBK
4ATCP4RBZ
4ATCP4RGY

Durable Finishes

4ATCP4RAA
4ATCP4RSB
4ATCP4RSN



Description/Specifications

Recessed Prewired All Power Surface Style Poke-Thru Assembly -

- Designed to be installed in concrete floors
- Accessibility to ceiling space below floor is required to feed power, data and A/V services
- Installs into a 4" (102mm) to a 4 1/8" (105mm) diameter hole
- Unit comes complete with surface style cover and two (2) prewired, pre-installed duplex receptacles that are recessed 3 3/4" (95mm) below floor surface level
- Surface style cover is aluminum and is designed to sit on top of finished floor surfaces, including: carpet, tile, wood, polished concrete or terrazzo
- Covers are available in six finishes
 - Three powder coat finishes: black (BK), gray (GY), and bronze (BZ)
 - Three durable finishes: Brushed aluminum (AA), satin brass plated (SB), and satin nickel plated (SN)

NOTE: UL Fire Classified for up to 2-hour rated floors.

NOTE: Receptacles can be wired as a standard or isolated ground device.

Country of Origin: USA

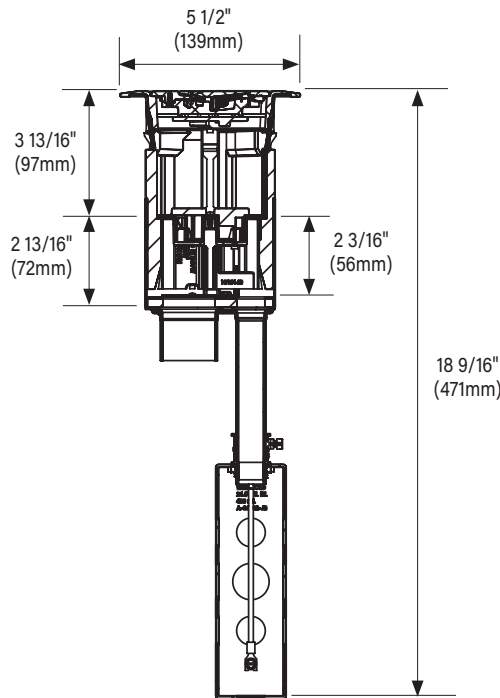
INCLUDED

Devices & Device Plates:

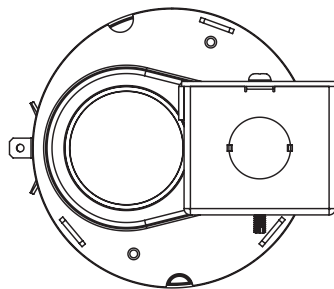
- Two (2) proprietary Tamper-Resistant 20A Duplex Receptacles installed

Bottom Feed:

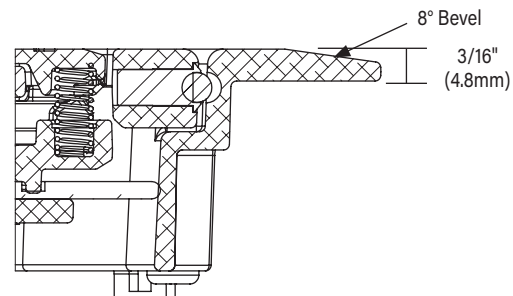
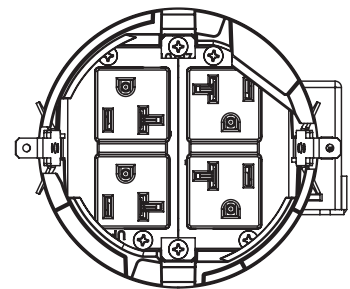
- One (1) 3/4" trade size conduit stub, located below receptacle



Bottom View



Top View



Surface Style Cover

NOTE: For more information on Device Plates and Bottom Feed Plates and on the additional options available, see the Device Plates and Bottom Feed Plates sections found later in this document.

- * Closure plate included to seal 1 1/2" trade size conduit stub.
- ** Includes junction box attached to the 3/4" trade size conduit.

Evolution Series 4" Poke-Thru Devices Ordering Information

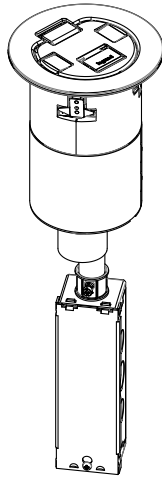
Catalog No./Item

Powder Coat Finishes

4ATP4RBK
4ATP4RBZ
4ATP4RGY

Durable Finishes

4ATP4RAA
4ATP4RSB
4ATP4RSN



Description/Specifications

Recessed Prewired All Power Flush Style Poke-Thru Assembly -

- Designed to be installed in concrete floors
- Accessibility to ceiling space below floor is required to feed power.
- Installs into a 4" (102mm) to a 4 1/8" (105mm) diameter hole
- Unit comes complete with flush style cover and two (2) prewired, pre-installed duplex receptacles that are recessed 3 3/4" (95mm) below floor surface level
- The flush style cover is an aluminum cover that is designed to sit flush with finished floor coverings such as: carpet, tile, or wood
- Covers are available in six finishes
 - Three powder coat finishes: black (BK), gray (GY), and bronze (BZ)
 - Three durable finishes: Brushed aluminum (AA), satin brass plated (SB), and satin nickel plated (SN)

Country of Origin: USA

**INCLUDED
Devices & Device Plates:**

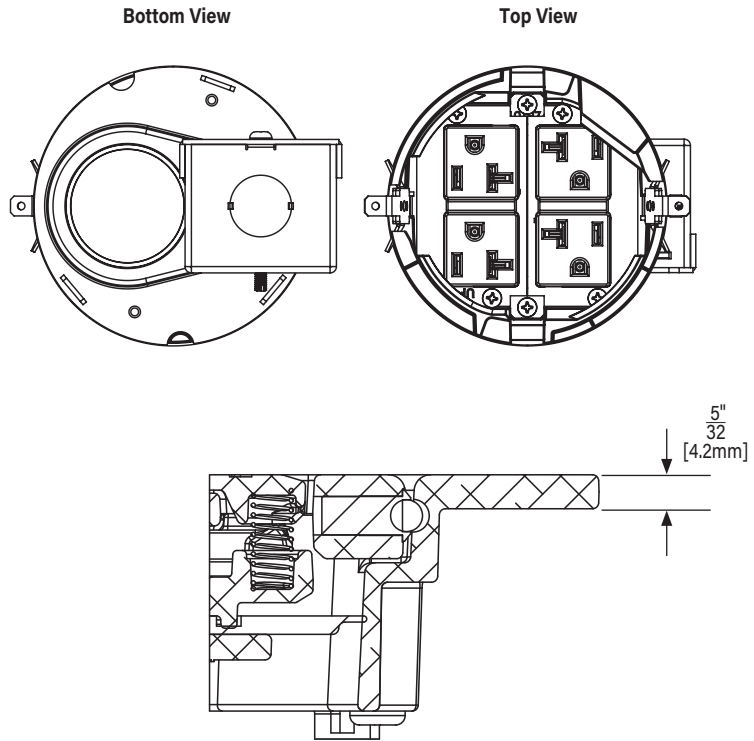
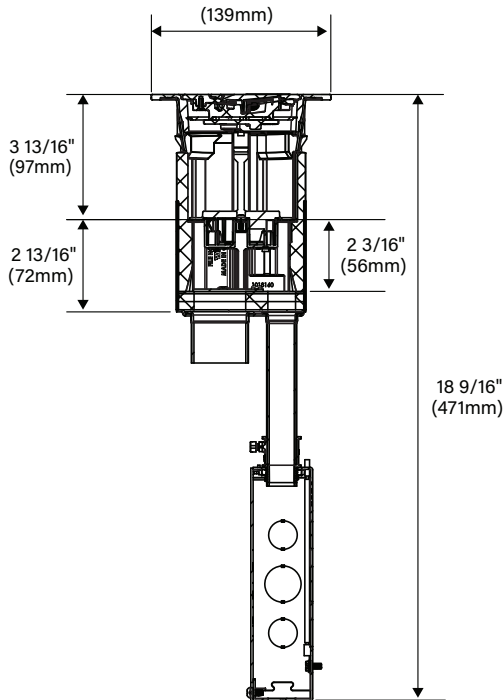
- Two (2) proprietary Tamper-Resistant 20A Duplex Receptacles installed

NOTE: UL Fire Classified for up to 2-hour rated floors.

NOTE: Receptacles can be wired as a standard or isolated ground device.

Bottom Feed:

- One (1) 3/4" trade size conduit stub, located below receptacle



Flush Style Cover

NOTE: For more information on Device Plates and Bottom Feed Plates and on the additional options available, see the Device Plates and Bottom Feed Plates sections found later in this document.

* Closure plate included to seal 1 1/2" trade size conduit stub.

** Includes junction box attached to the 3/4" trade size conduit.

Evolution Series 4" Poke-Thru Devices Ordering Information

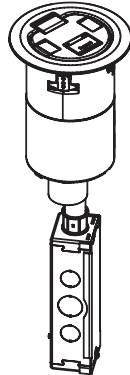
Catalog No./Item

Powder Coat Finishes

4ATCBK
4ATCBZ
4ATCGY

Durable Finishes

4ATCAA
4ATCSB
4ATCSN



Description/Specifications

Recessed Unwired Surface Style Poke-Thru Assembly -

- Designed to be installed in concrete floors
- Accessibility to ceiling space below floor is required to feed power, data and A/V services
- Installs into a 4" (102mm) to a 4 1/8" (105mm) diameter hole
- Unit comes complete with surface style cover and two (2) empty gangs that are recessed 3 3/4" (95mm) below floor surface level
- Surface style cover is aluminum and is designed to sit on top of finished floor surfaces, including: carpet, tile, wood, polished concrete or terrazzo
- Covers are available in six finishes
 - Three powder coat finishes: black (BK), gray (GY), and bronze (BZ)
 - Three durable finishes: Brushed aluminum (AA), satin brass plated (SB), and satin nickel plated (SN)

Country of Origin: USA

NOTE: UL Fire Classified for up to 2-hour rated floors.

NOTE: Receptacles can be wired as a standard or isolated ground device.

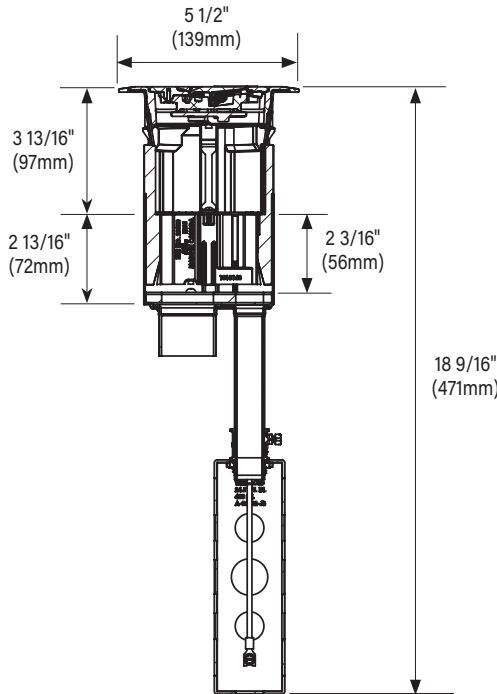
INCLUDED

Devices & Device Plates:

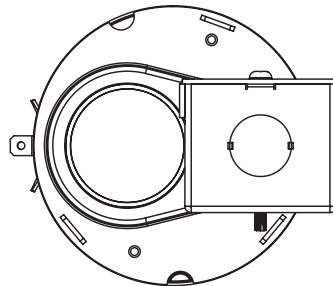
- No device plates included

Bottom Feed:

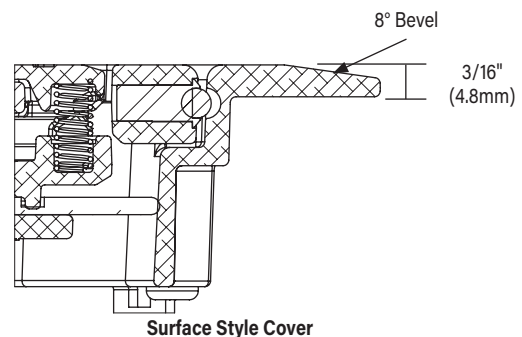
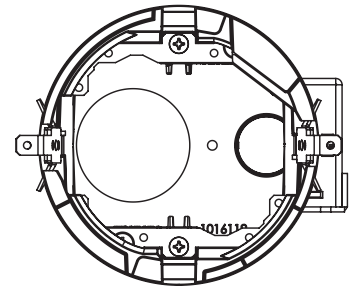
- One (1) 3/4" trade size conduit stub
- One (1) 1 1/2" trade size conduit stub



Bottom View



Top View



Surface Style Cover

NOTE: For more information on Device Plates and Bottom Feed Plates and on the additional options available, see the Device Plates and Bottom Feed Plates sections found later in this document.

- * Closure plate included to seal 1 1/2" trade size conduit stub.
- ** Includes junction box attached to the 3/4" trade size conduit.

Evolution Series 4" Poke-Thru Devices Ordering Information

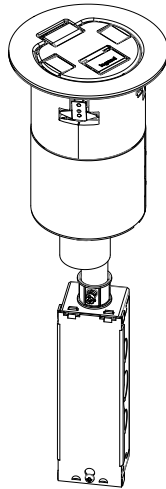
Catalog No./Item

Powder Coat Finishes

4ATBK
4ATBZ
4ATGY

Durable Finishes

4ATAA
4ATSB
4ATSN



Description/Specifications

Recessed Unwired Flush Style Poke-Thru Assembly -

- Designed to be installed in concrete floors
- Accessibility to ceiling space below floor is required to feed power, data and A/V services
- Installs into a 4" (102mm) to a 4 1/8" (105mm) diameter hole
- Unit comes complete with flush style cover and two (2) empty gangs that are recessed 3 3/4" (95mm) below floor surface level
- The flush style cover is an aluminum cover that is designed to sit flush with finished floor coverings such as: carpet, tile, or wood
- Covers are available in six finishes
 - Three powder coat finishes: black (BK), gray (GY), and bronze (BZ)
 - Three durable finishes: Brushed aluminum (AA), satin brass plated (SB), and satin nickel plated (SN)

Country of Origin: USA

INCLUDED

Devices & Device Plates:

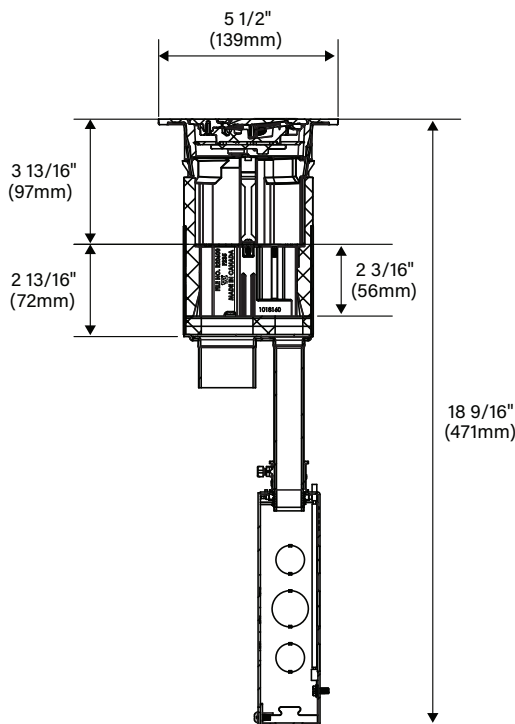
- No device plates included

Bottom Feed:

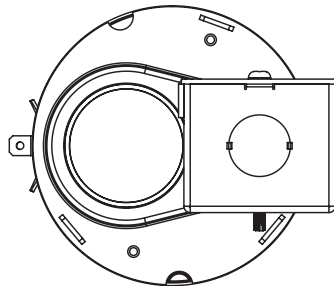
- One (1) 3/4" trade size conduit stub
- One (1) 1 1/2" trade size conduit stub

NOTE: UL Fire Classified for up to 2-hour rated floors.

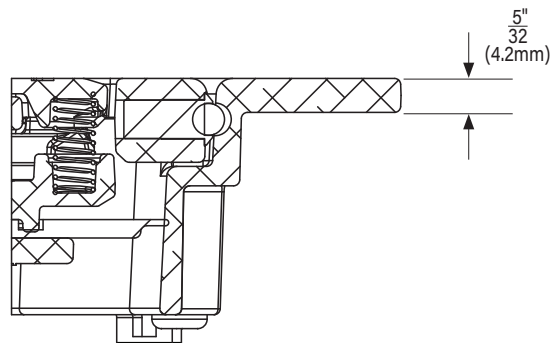
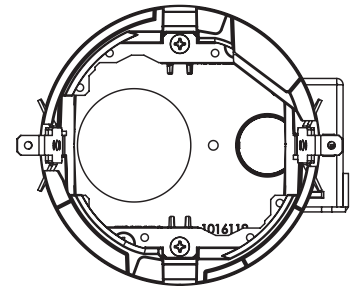
NOTE: Receptacles can be wired as a standard or isolated ground device.



Bottom View



Top View



Flush Style Cover

NOTE: For more information on Device Plates and Bottom Feed Plates and on the additional options available, see the Device Plates and Bottom Feed Plates sections found later in this document.

- * Closure plate included to seal 1 1/2" trade size conduit stub.
- ** Includes junction box attached to the 3/4" trade size conduit.

Evolution Series 4" Poke-Thru Devices Ordering Information

Catalog No./Item

Powder Coat Finishes

4ATCP2CRBK

4ATCP2CRBZ

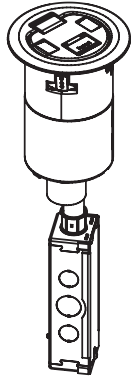
4ATCP2CRGY

Durable Finishes

4ATCP2CRAA

4ATCP2CRSB

4ATCP2CRSN



Description/Specifications

Recessed Prewired Dual Service Controlled Receptacle Surface Style Poke-Thru Assembly -

- Designed to be installed in concrete floors
- Accessibility to ceiling space below floor is required to feed power, data and A/V services
- Installs into a 4" (102mm) to a 4 1/8" (105mm) diameter hole
- Unit comes complete with surface style cover, one (1) prewired, pre-installed duplex receptacle with a controlled receptacle marking that is recessed 3 3/4" (95mm) below floor surface level and one (1) empty gang
- Surface style cover is aluminum and is designed to sit on top of finished floor surfaces, including: carpet, tile, wood, polished concrete or terrazzo
- Covers are available in six finishes
 - Three powder coat finishes: black (BK), gray (GY), and bronze (BZ)
 - Three durable finishes: Brushed aluminum (AA), satin brass plated (SB), and satin nickel plated (SN)

NOTE: UL Fire Classified for up to 2-hour rated floors.

NOTE: Receptacles can be wired as a standard or isolated ground device.

NOTE: 4MAAP Device Plate sold separately.

Country of Origin: USA

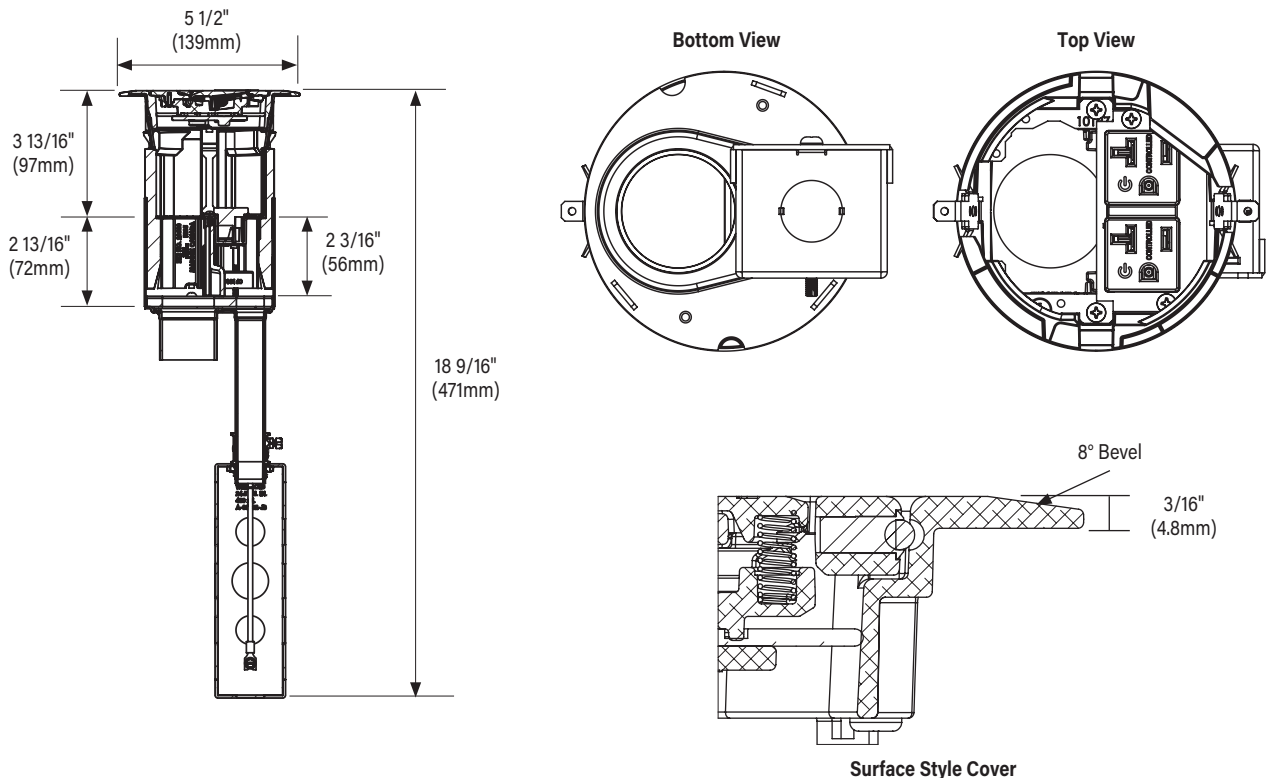
INCLUDED

Devices & Device Plates:

- One (1) proprietary Tamper-Resistant 20A Duplex Receptacle with Controlled Receptacle marking, installed
- One (1) 42A Device Plate

Bottom Feed:

- One (1) 3/4" trade size conduit stub, located below receptacle
- One (1) 1 1/2" trade size conduit stub, located below open gang



NOTE: For more information on Device Plates and Bottom Feed Plates and on the additional options available, see the Device Plates and Bottom Feed Plates sections found later in this document.

* Divider included to separate power and low voltage compartments.

** Includes junction box attached to the 3/4" trade size conduit.

Evolution Series 4" Poke-Thru Devices Ordering Information

Catalog No./Item

Powder Coat Finishes

4ATP2CRBK

4ATP2CRBZ

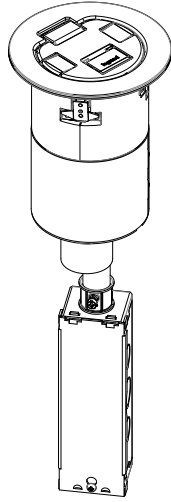
4ATP2CRGY

Durable Finishes

4ATP2CRAA

4ATP2CRSB

4ATP2CRSN



Description/Specifications

Recessed Prewired Dual Service Controlled Receptacle Flush Style Poke-Thru Assembly -

- Designed to be installed in concrete floors
- Accessibility to ceiling space below floor is required to feed power, data and A/V services
- Installs into a 4" (102mm) to a 4 1/8" (105mm) diameter hole
- Unit comes complete with flush style cover, one (1) prewired, pre-installed duplex receptacle with a controlled receptacle marking that is recessed 3 3/4" (95mm) below floor surface level and one (1) empty gang
- The flush style cover is an aluminum cover that is designed to sit flush with finished floor coverings such as: carpet, tile, or wood
- Covers are available in six finishes
 - Three powder coat finishes: black (BK), gray (GY), and bronze (BZ)
 - Three durable finishes: Brushed aluminum (AA), satin brass plated (SB), and satin nickel plated (SN)

Country of Origin: USA

INCLUDED

Devices & Device Plates:

- One (1) proprietary Tamper-Resistant 20A Duplex Receptacle with Controlled Receptacle marking, installed
- One (1) 42A Device Plate

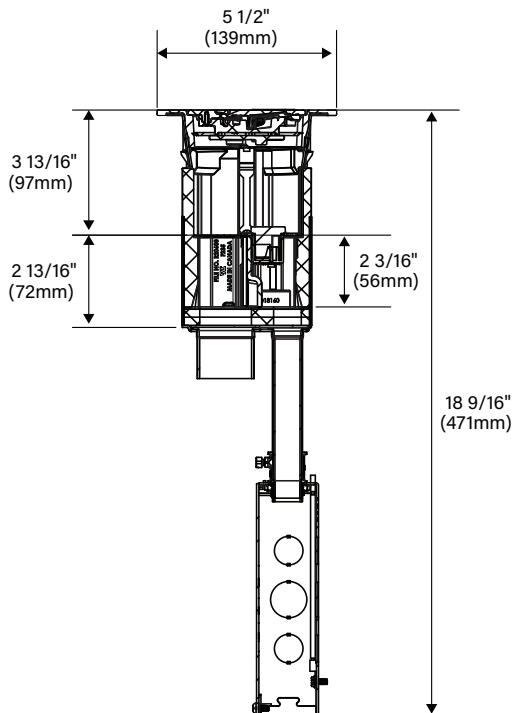
Bottom Feed:

- One (1) 3/4" trade size conduit stub, located below receptacle
- One (1) 1 1/2" trade size conduit stub, located below open gang

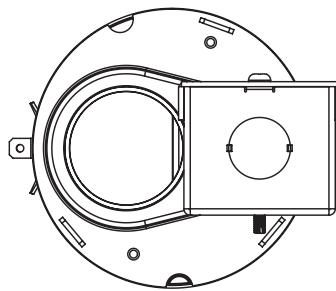
NOTE: UL Fire Classified for up to 2-hour rated floors.

NOTE: Receptacles can be wired as a standard or isolated ground device.

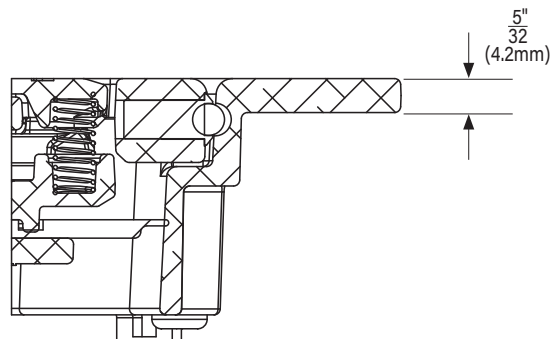
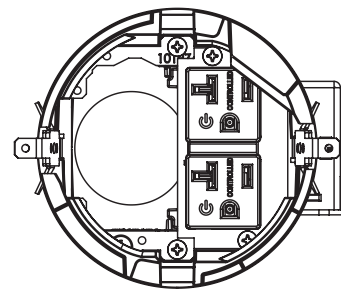
NOTE: 4MAAP Device Plate sold separately.



Bottom View



Top View



Flush Style Cover

NOTE: For more information on Device Plates and Bottom Feed Plates and on the additional options available, see the Device Plates and Bottom Feed Plates sections found later in this document.

* Divider included to separate power and low voltage compartments.

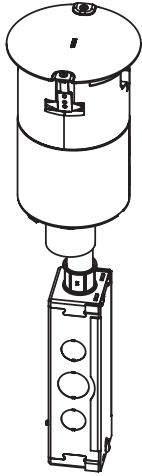
** Includes junction box attached to the 3/4" trade size conduit.

Evolution Series 4" Poke-Thru Devices Ordering Information

Catalog No./Item

Description/Specifications

4STC



Recessed Unwired Poke-Thru stem Assembly -

- Designed to be installed in concrete floors
- Accessibility to ceiling space below floor is required to feed power, data and A/V services
- Installs into a 4" (102mm) to a 4 1/8" (105mm) diameter hole
- Unit comes complete with a disposable sheet metal cover, and two (2) empty gangs that are recessed 3 3/4" (95mm) below floor surface level
- Designed to work with 4CTC and 4CT style covers

Country of Origin: USA

INCLUDED

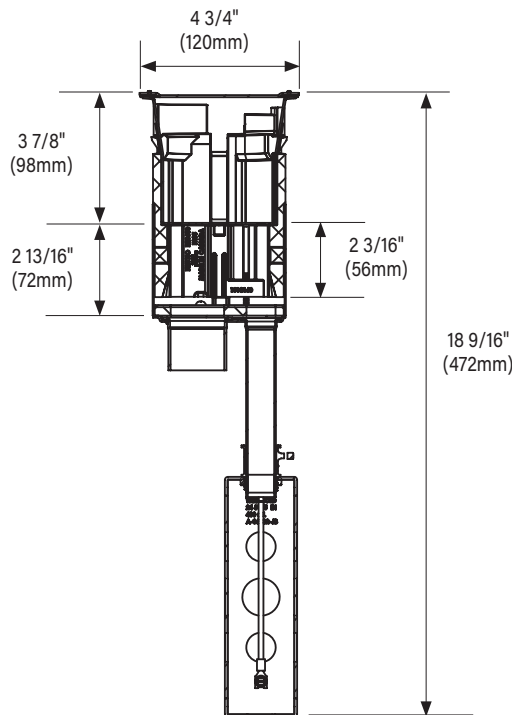
Devices & Device Plates:

- No device plates included

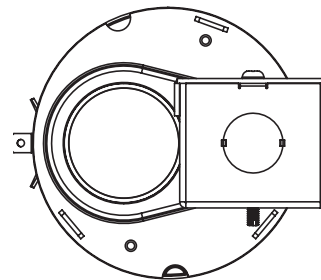
Bottom Feed:

- One (1) 3/4" trade size conduit stub, located below receptacle
- One (1) 1 1/2" trade size conduit stub, located below open gang

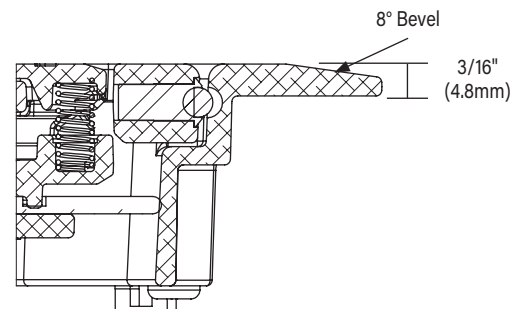
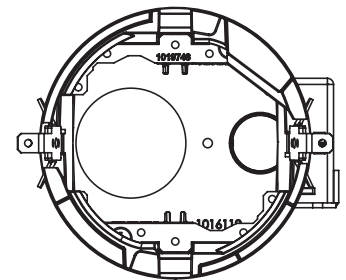
NOTE: UL Fire Classified for up to 2-hour rated floors.



Bottom View



Top View

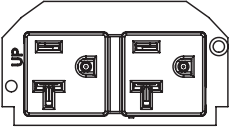
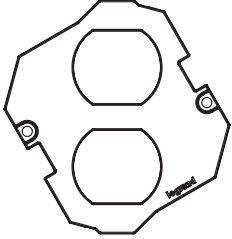
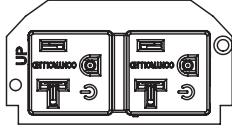
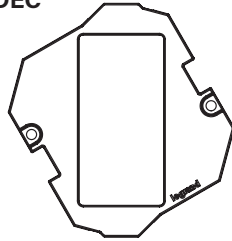
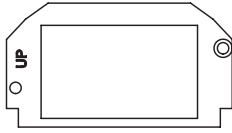
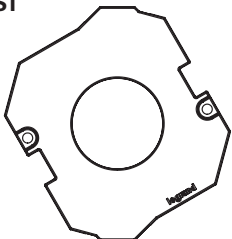
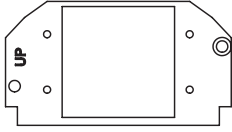
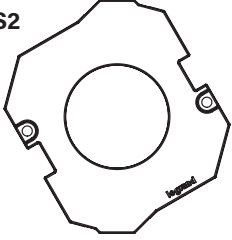

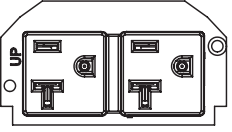


Surface Style Cover

NOTE: For more information on Device Plates and Bottom Feed Plates and on the additional options available, see the Device Plates and Bottom Feed Plates sections found later in this document.

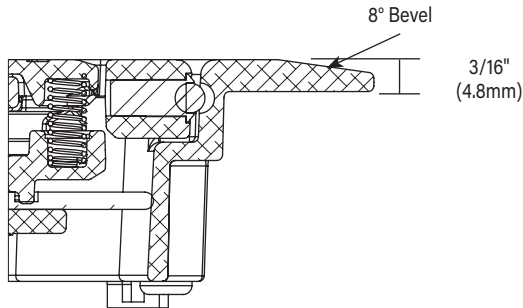
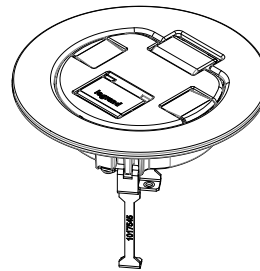
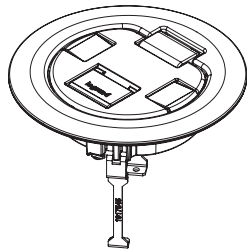
- * Closure plate included to seal 1 1/2" trade size conduit stub.
- ** Includes junction box attached to the 3/4" trade size conduit.

Evolution Series 4" Poke-Thru Devices Device Plates Ordering Information

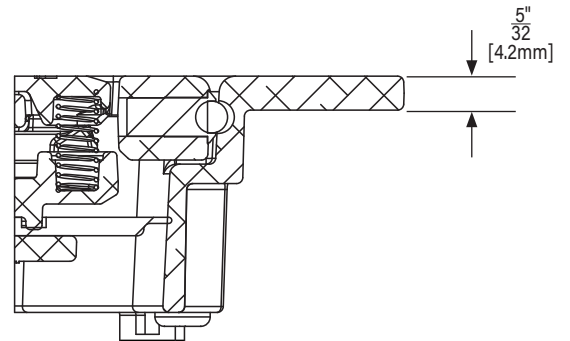
Catalog No./Item	Description/Specifications	Catalog No./Item	Description/Specifications
4REC 	Duplex Receptacle - One (1) proprietary Tamper-Resistant 20A duplex power receptacle with mounting plate. Designed to fit into one (1) gang of the 4AT Series poke-thru. Country of Origin: USA	44DP 	Device Mounting Plate - Device plate that will accept standard 20A duplex receptacle, duplex Turnlok receptacle, or 106 data adapter. Designed to fit into two (2) gangs of the 4AT Series Poke-Thru. Country of Origin: USA
4REC-CTRL 	Duplex Controlled Receptacle - One (1) proprietary Tamper-Resistant 20A duplex power receptacle with controlled receptacle marking and mounting plate. Designed to fit into one (1) gang of the 4AT Series poke-thru. Country of Origin: USA	44DEC 	Device Mounting Plate - Device plate that will accept Decorator style devices such as 20A receptacles, GFCIs, 106 adapters or A/V devices. Designed to fit into two (2) gangs of the 4AT Series Poke-Thru. Country of Origin: USA
42A 	Device Mounting Plate - Device plate that will accept up to two (2) ports of communication devices. Designed to fit into one (1) gang of the 4AT Series poke-thru. Communications devices supplied by others. Country of Origin: USA	44S1 	Device Mounting Plate - Device plate with 1 3/8" (35mm) receptacle opening. Designed to fit into two (2) gangs of the 4AT Series Poke-Thru. Accommodates 15A and 20A devices only. Country of Origin: USA
4MAAP 	Device Mounting Plate - Device plate that will accept up to two (2) Legrand AVIP or Extron Electronics MAAP device plates. Designed to fit into one (1) gang of the 4AT Series poke-thru. Extron devices supplied by others. Country of Origin: USA	44S2 	Device Mounting Plate - Device plate with 1 9/16" (40mm) receptacle opening. Designed to fit into two (2) gangs of the 4AT Series Poke-Thru. Accommodates 15A and 20A devices only. Country of Origin: USA
4B 	Device Mounting Plate - Blank plate. Used to blank off one (1) gang of the 4AT Series poke-thru. Country of Origin: USA		
4REC-25 	Duplex Receptacle - One (1) proprietary Tamper-Resistant 20A duplex power receptacle with mounting plate and 25' (7.62m) leads. Designed to fit into one (1) gang of the 4AT Series poke-thru. Country of Origin: USA		

Evolution Series 4" Poke-Thru Devices Cover Assemblies Ordering Information

Catalog No./Item	Description/Specifications	Catalog No./Item	Description/Specifications
Powder Coat Finishes 4CTCBK 4CTCBZ 4CTCGY Durable Finishes 4CTCAA 4CTCSB 4CTCSN	Surface Style Cover Assembly - Low profile design attaches to the 4STC Poke-Thru Stem Assembly. Each cover is made from die-cast aluminum materials and equipped with durable hinge, allowing the cover to rotate open 180°, two (2) slide egress doors that allow cables to extend through the cover and auto close when no cables are in use. These covers are designed with an 8° beveled edge that ensures the cover meets ADA guidelines and reduces trip hazards. The cover is aluminum and is designed to sit on top of finished floor surfaces, including: carpet, tile, wood, polished concrete or terrazzo. The covers are available in (3) aesthetic powder coated finishes black (BK), gray (GY), and bronze (BZ) and three metal finishes: Brushed aluminum (AA), satin brass plated (SB), and satin nickel plated (SN)	Powder Coat Finishes 4CTBK 4CTBZ 4CTGY Durable Finishes 4CTAA 4CTSB 4CTSN	Flush Style Cover Assembly - Low profile design attaches to the 4STC Poke-Thru Stem Assembly. Each cover is made from die-cast aluminum materials and equipped with durable hinge, allowing the cover to rotate open 180°, two (2) slide egress doors that allow cables to extend through the cover and auto close when no cables are in use. The cover is aluminum and is designed to sit flush with finished floor coverings such as: carpet, tile and wood. The covers are available in (3) aesthetic powder coated finishes black (BK), gray (GY), and bronze (BZ) and three metal finishes: Brushed aluminum (AA), satin brass plated (SB), and satin nickel plated (SN)

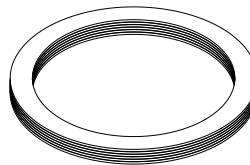
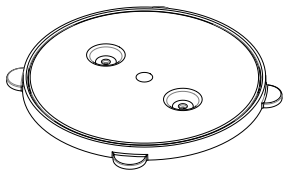


Surface Style Cover

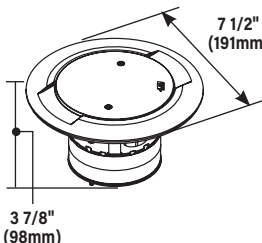
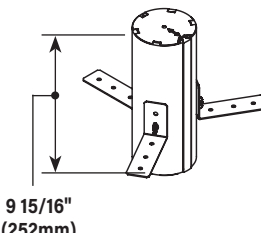

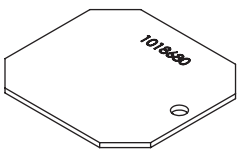


Flush Style Cover

Catalog No./Item 4CT-CTR	Terrazzo Ring - Nonmetallic ring for use with bare concrete and terrazzo floor applications. Country of Origin: USA	Catalog No./Item 4TS	Tile Shim - Used for floor coverings greater than 3/16" (4.8mm). The 4TS will allow the top surface of the cover to be flush with the finished floor. Includes: six (6) 1/16" (1.6mm) thick shims. Up to a total of 3/8" (9.5mm) of adjustment Country of Origin: USA.
---	--	---------------------------------------	---



Evolution Series 4" Poke-Thru Device Accessories Ordering Information

Catalog No./Item	Description/Specifications	Catalog No./Item	Description/Specifications
ABPLUG4 	<p>Abandonment Plug Assembly - Complete plug assembly for abandoning an open 4" (102mm) cored-hole. Assembly includes intumescent fire-stop material to maintain the fire-classification of the floor, integral retainer ring to prevent the unit from pulling up through the floor, and a black die-cast aluminum cover.</p> <p>Country of Origin: USA</p> <p>CAUTION: Not intended for use on polished concrete or terrazzo floor applications.</p>	4PPS 	<p>4" Pre-Pour Poke-Thru Sleeve - Nonmetallic sleeve attaches to structural steel or plywood decking and maintains 4"-4 1/8" diameter cast in core hole. Unit includes three (3) attachment legs, two (2) end caps and three (3) thumb screws.</p> <p>Country of Origin: USA</p>
4DIV 	<p>Divider - Wiring compartment divider. Separates services when required, maintaining signal strength and product listing.</p> <p>Country of Origin: USA</p>		
115BLH 	<p>1 1/2" Conduit Blanking Plate - Wiring compartment closure plate. Close off 1 1/2" trade size conduit stub when poke-thru is used in a power only configuration.</p> <p>Country of Origin: USA</p>		

NOTE: All brand and product names referenced in this document are registered trademarks or trademarks of their respective holders.



Legrand, North America
60 Woodlawn Street
West Hartford, CT 06110
877-295-3472
www.legrand.us

Canada
844-977-3783
www.legrand.ca

FOLLOW US

