



Product Overview

The **OTT-1100 Trace Tool Interface** is a USB to RS-485 converter for use with the Cypress **OTT-1000 OSDP Trace Tool software**. It connects the software to the OSDP bus, allowing the OSDP session to be traced for troubleshooting, testing OSDP systems before deployment, and OSDP device development.

Using the OTT-1100 activates PRO features in the OTT-1000 software. This allows users to perform in-depth OSDP system diagnostics. Users can control how OSDP messages are displayed and filter messages by type and/or device address.

The OTT-1000 OSDP Trace Tool software is available to download for free:

<https://cypressintegration.com/products/osdp/ott-1000/>

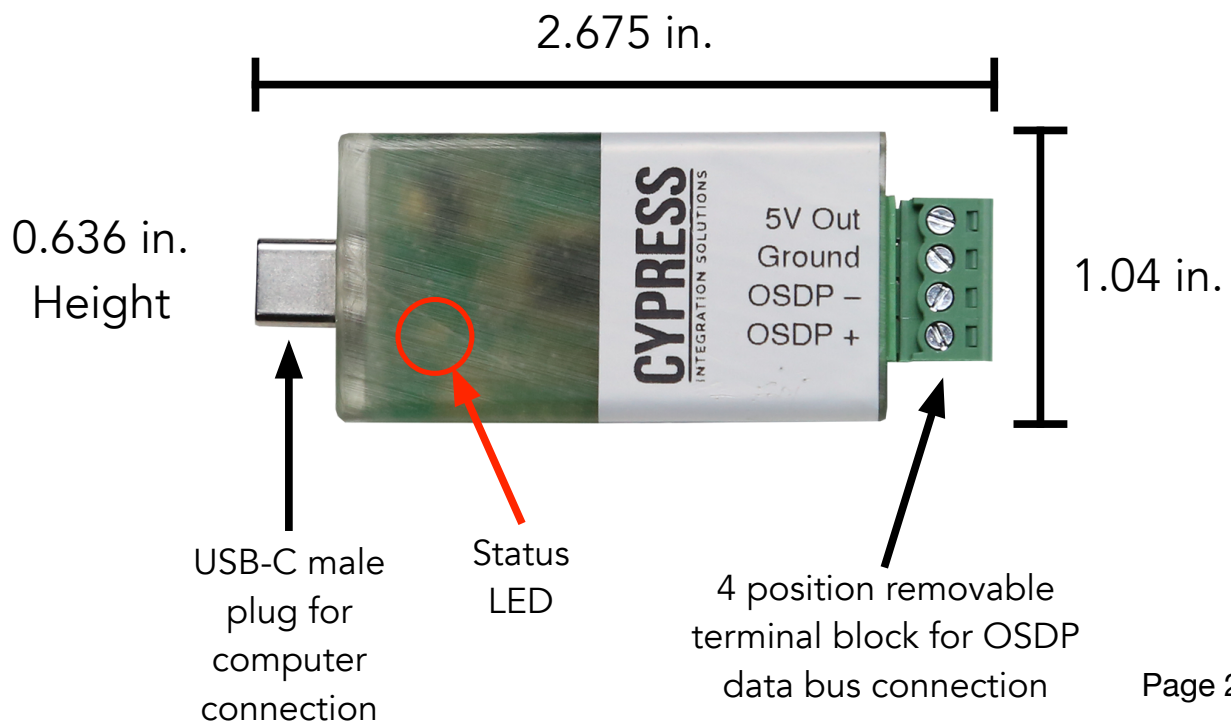


OTT-1100_PS_230815

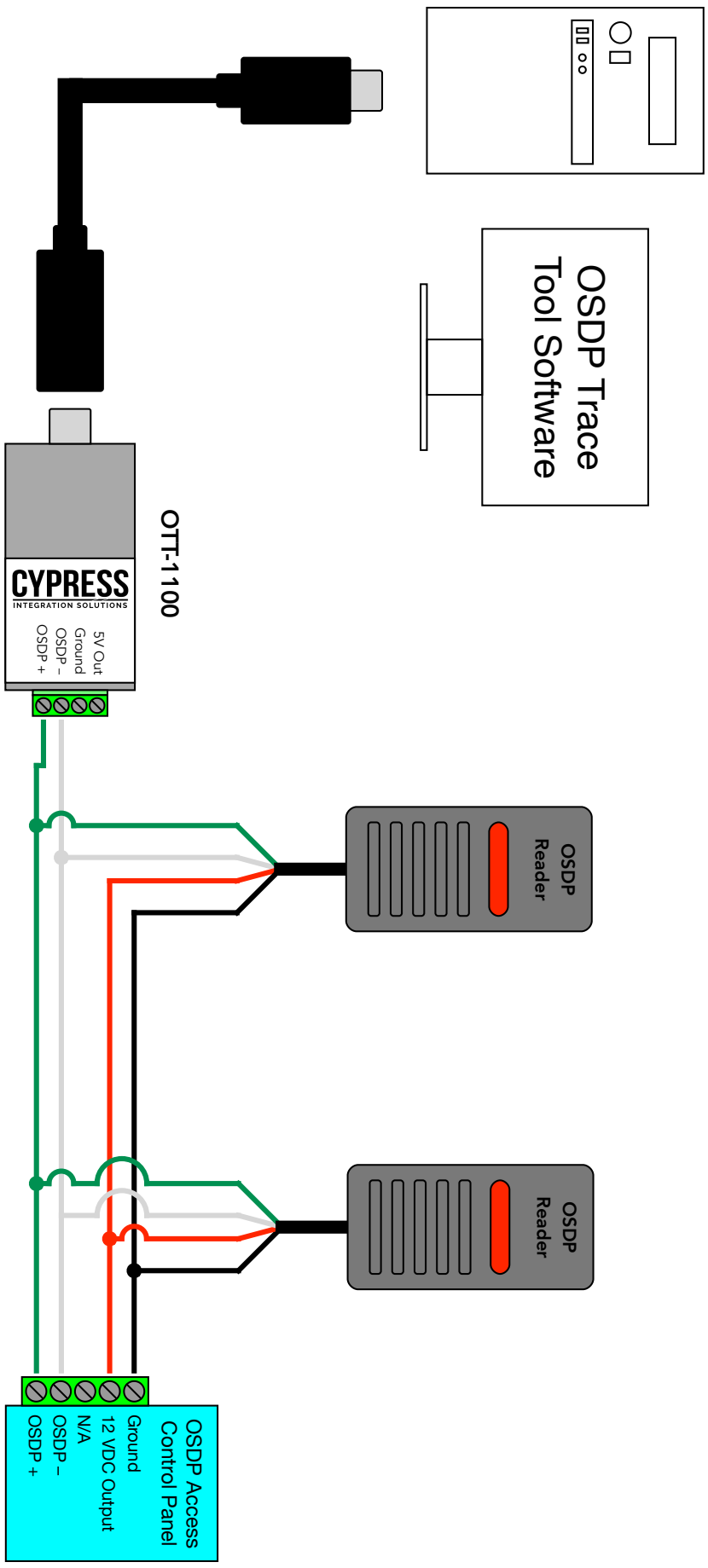
Specifications

Part Number	Part Number	OTT-1100	
	UPC	816684004957	
Physical	Physical Dimensions (L x W x H)	2.675 x 1.04 x 0.636 inches 6.80 x 2.64 x 1.62 cm	
	Weight	OTT-1100	1 oz. 28.35 grams
		USB-C Cable	1.2 oz. 34.02 grams
Environmental	Operating Temperature Range	32°F to 185°F 0°C to 85°C	
	Enclosure Rating	Not rated for water or dust intrusion	
USB	Unit features male USB-C port and can connect directly to computer		
	Supports USB 2.0		
	Includes 1 meter (~39 in.) USB-C extension cable (female to male)		
Electrical	Unit is powered by the USB-C connection		
	Unit draws from USB-C Port	50 mA MAX	
	Power output (for OSDP readers)	5 VDC @ 450 mA MAX	
Additional Features	Removable 4-position screw terminal block for OSDP bus connection and 5V power output		
	Status LED shows if the OTT-1100 is receiving OSDP messages on OSDP bus		
	Automatically reverses polarity of the OSDP data lines to match polarity of the OSDP bus		
	Automatically cycles through baud rates to match the baud rate of the OSDP bus		
	OTT-1100 also functions as a general purpose RS-485 to USB converter		

OTT-1000 Dimensions and Features



OTT-1100 Wiring Diagram



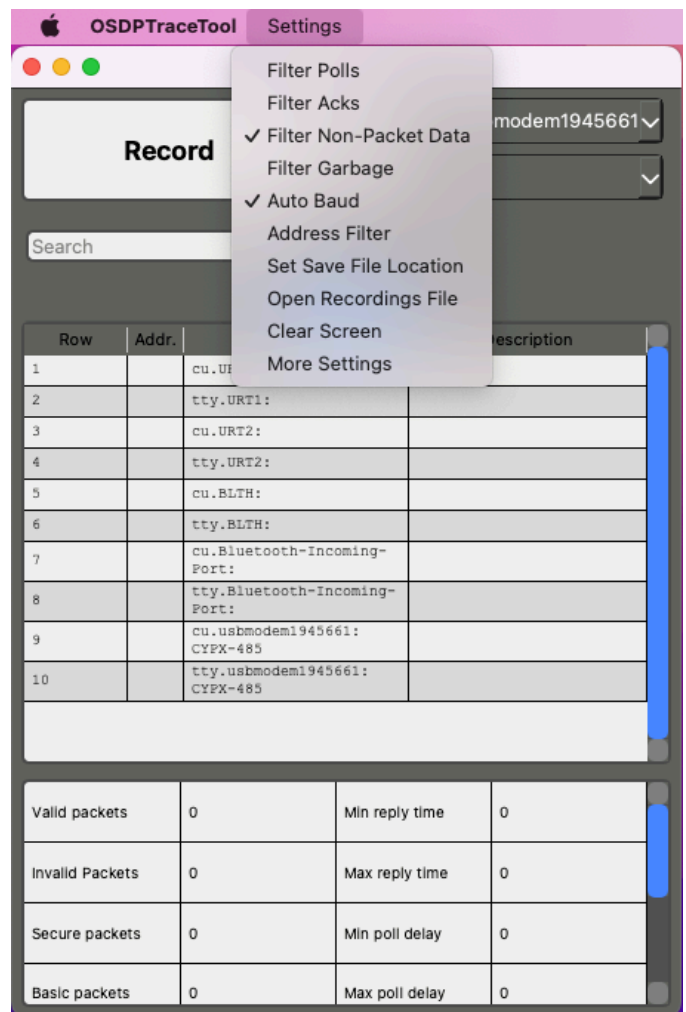
Noisy USB interfaces can cause communication issues between the OSDP Trace Tool Software and the OSDP bus. A ground connection between the OTT-1100 and the OSDP bus (in this case the OSDP access controller) can resolve these.

OTT-1000 OSDP Trace Tool PRO Features

- **Filter POLLS** - osdp_POLL messages will not be displayed
- **Filter ACKs** - osdp_ACK messages will not be displayed
- **Filter Non-Packet Data** - Non-packet data, typically data sent by OSDP devices before the actual packet, will not be displayed
- **Filter Garbage** - Garbage data, typically unformatted data packets, will not be displayed
- **Address Filter** - Select specific device addresses to be excluded from the OSDP Trace Window
- **Data Search** - Search byte(s) in OSDP packets
- **Auto-Polarity** - Automatically adjusts the polarity on the OTT-1100 to match the OSDP bus
- **Auto-Baud** - Automatically adjusts the baud rate to match the OSDP bus



The OSDP Trace Tool software automatically identifies and connects to the OTT-1100. The OTT-1100 appears as “CYPX-485” in the list of available ports in the software. The ad will be removed and the PRO features will be enabled.



The PRO features are enabled in the Settings menu when the OTT-1100 is connected to OSDP Trace Tool software.