

StarNET PRO 64 Channel NVR Server

Up to 80TB Max Storage Server with Dual NIC, 64 Max Full HD Channel Count, Redundant Power Supplies, and Rack Mountable



The StarNET Pro Series 64 Channel NVR Servers provide up to 64 channels of Full HD real-time recording and live display. The StarNET Pro Series NVR Servers offer advanced H.265 compression coupled with an Intelligent Codec that delivers incredibly clear images while reducing storage space by as much as 50%. The powerful capability of the StarNET Pro Video Management System makes this recorder an ideal choice for large distribution centers and warehouses. The StarNET Pro 64 channel recorder delivers a complete network surveillance solution that meets the demands of user applications from

a single location to more complex multi-site locations. The StarNET Pro Video Management System can support enterprise level deployments and provide a complete management system that will keep constant command of the entire system from a central location and keep administrators alerted of important alarms. As with all Costar recording platforms, the StarNET Pro Series NVR Server maintains its compatibility to the StarNET Pro Remote Access interfaces and all its analytic and back up capabilities.



StarNET Pro
Pre-Installed



Windows 10 IoT
Enterprise OS



On-Board Storage
Up to 80TB



Front Swappable
Drives



Dual Gigabit NICs



SSD OS
Drive



8 Drive Capacity



RAID Storage
and Options

Series Features

- Pre-installed with StarNET Pro Video Management System
- Supports up to 80 Terabytes of internal storage
- External storage expansion up to 120 Terabytes
- Supports RAID 1, 5, 10
- Supports up to 64 Full HD cameras in real-time for enterprise-level surveillance systems
- 400Mbps maximum recording bandwidth per server
- 2U rack mount chassis
- NDAA Compliant
- Supports H.264, H.265 compression, and StarNET Intelligent Codec
- Supports Costar DirectNET, AV Costar™ ConteralIP®, CostarHD RISE, ONVIF Profile S, Axis, and Panasonic® cameras
- Remote Access System (StarNET Pro) Software Supports Static-IP, ADSL, DHCP, Dynamic-IP
- Remote access via free smart phone app compatible with Apple® and Google® Android™ devices
- Redundant Power Supply (Dual internal PSU)

Recorder Specifications

Model		CSP-20SVR64-xxTB
Recording	Max IP Channels	64 at Full HD H.264/H.265
	Recording Resolutions	Up to 4K Ultra HD
	Max Recording Rate	400 Mbps
	Image Compression	H.264/H.265
Connections	Video Outputs	2 x HDMI
	Maximum Display Resolution	4K
	Network	2 x Gigabit RJ-45 Ethernet Port
	Audio	1 x 3.5mm Audio Input 1 x 3.5mm Amplified Audio Output
	eSATA	3 x eSATA Port
	USB Ports	Front: 2 x USB 2.0 Rear: 4 x USB 3.0 (3 x Type-A 1 x Type-C)
Software	Operating System	Microsoft® Windows® 10 IoT Enterprise
	Remote Operation	StarNET Pro Client / Mobile Apps
	User Management	StarNET Pro
	Recording Mode	Continuous / Motion / Continuous + Motion / Live Only
	Playback Search	Multi-channel playback / Calendar / Timeline / Thumbnail / Event / Object
	Clip Backup	USB Clip Copy

General

IR Remote and Mouse	Included
Operating Temperature	Max temperature: 104°F (40°C)
OS Drive Configuration	Dedicated Solid State Drive
Maximum Storage	80TB
Processor	Intel Core i5-10500
Memory	16GB
Rack Mount	2U Rack Mountable
Warranty	5 Years

Compliance

IP Camera Support	Costar DirectNET, AV Costar™ ConteralIP®, CostarHD RISE, ONVIF Profile S, Axis, Panasonic
Approvals	FCC, UL, CE

Mechanical

Dimensions <i>(See Dimensions)</i>	Unit	19" W (482.6mm) x 3.5" H (88mm) x 20.6" L (523.3mm)
Weight	Unit	27.8lbs (12.6kg)

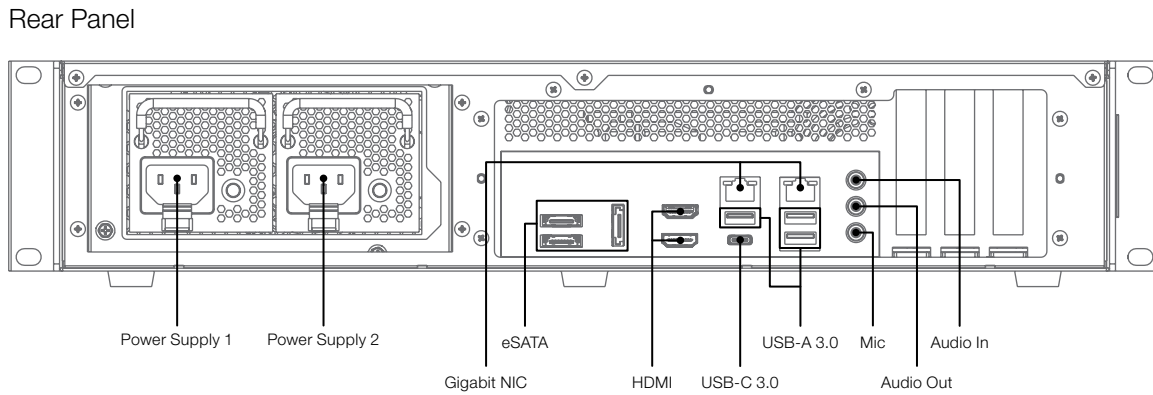
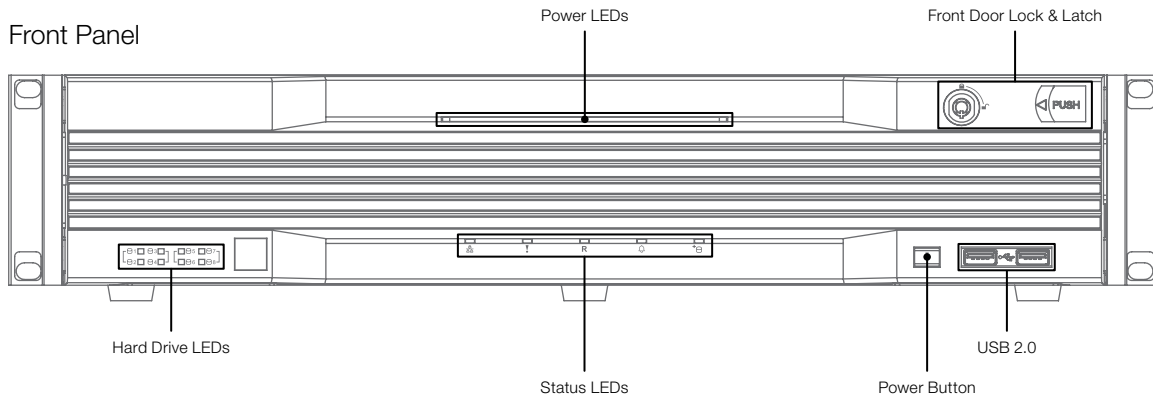
Electrical

Input Voltage	100-240VAC, 50/60Hz, 8.0-4.0A
Consumption	2 x 120W

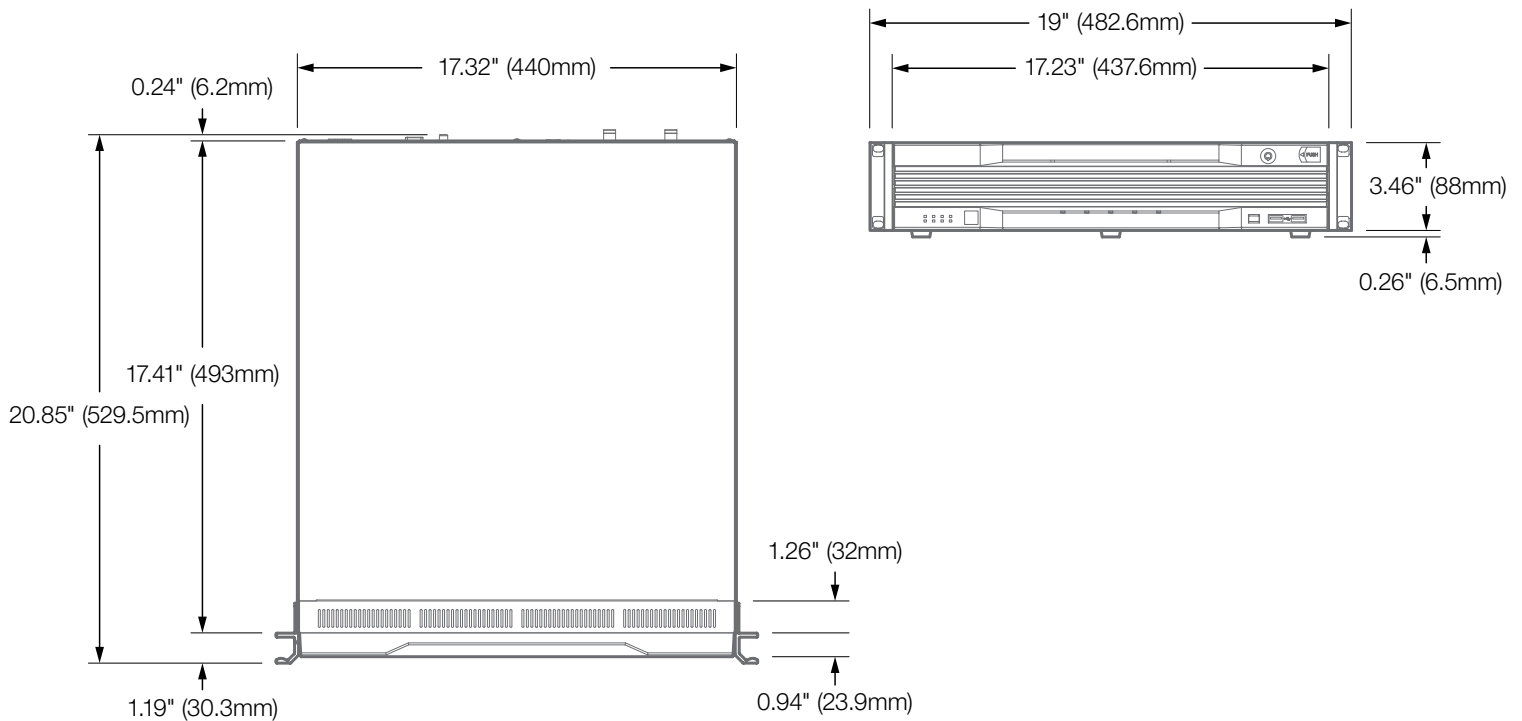
Environmental

Operating Temperature	32°F (0°C) to 104°F (40°C)
Humidity	0% to 90% (non-condensing)

Controls and Connections



Dimensions



See Next Page for Ordering Information



Model Numbers

10TB	CSP-20SVR64-10TB
20TB	CSP-20SVR64-20TB
30TB	CSP-20SVR64-30TB
40TB	CSP-20SVR64-40TB
50TB	CSP-20SVR64-50TB
60TB	CSP-20SVR64-60TB
70TB	CSP-20SVR64-70TB
80TB	CSP-20SVR64-80TB

Software Licenses

Part Number	Description
StarNET Pro Video Management System	
StarNET PRO Recording Licenses	
CSP-ADMIN	CSP Standard 1 Channel Recording License
CSP-ADMIN32	CSP Standard 32 Channel Recording License
CSP-ADMIN64	CSP Standard 64 Channel Recording License

eSATA Storage Expansion Model Numbers

10TB	CSP-EVS64-10TB
20TB	CSP-EVS64-20TB
30TB	CSP-EVS64-30TB
40TB	CSP-EVS64-40TB

Create Your Model (Example: **CSP-20SVR64-10TB**)

64 Channel
NVR Server

Default Storage

Storage Type

