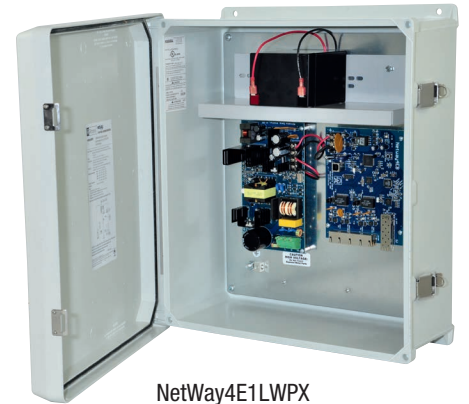


# NetWay4E1LWPX

4-port PoE+ Outdoor Hardened Switch with Optimized Lithium Iron Phosphate Battery Charger



Altronix NetWay4E1LWPX PoE+ Outdoor Hardened Switch provides one (1) 1Gb SFP (Fiber) port and four (4) PoE+ (30W) ports passing data for PoE/PoE+ compliant devices. Cameras/edge devices may be located up to 100m from the unit. NetWay4E1LWPX is designed to support a single 12V LiFePO<sub>4</sub> (Lithium Iron Phosphate) battery for high storage and charge/discharge cycle life reliability.

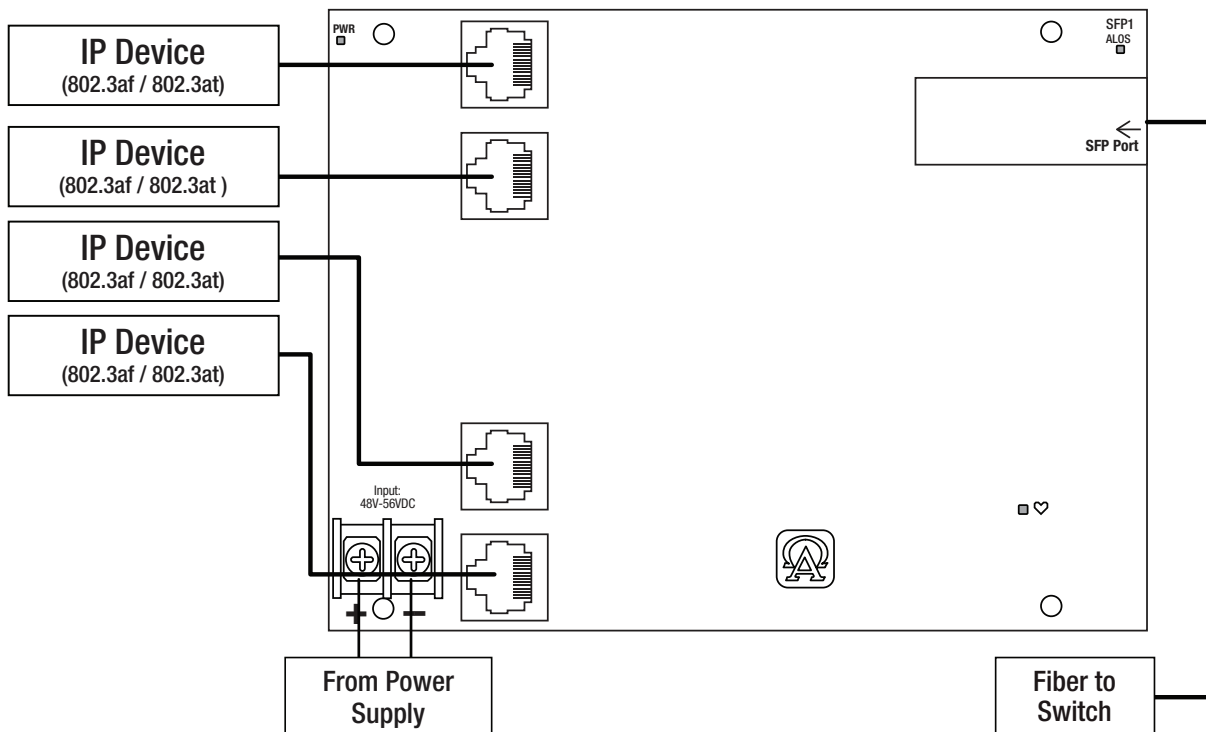


NetWay4E1LWPX

## Key Features

- One (1) Gigabit SFP port
- 75W total power
- IEEE 802.3af (15W) and IEEE 802.3at (30W) compliant
- PoE activity LED indicators
- Built-in charger for 12V LiFePO<sub>4</sub> (Lithium Iron Phosphate) battery
- Automatic switch over to stand-by battery when AC fails
- NEMA4/4X, IP66 Rated enclosure for outdoor use
- Enclosure accommodates one (1) LiFePO<sub>4</sub> (Lithium Iron Phosphate) battery
- CE European Conformity
- Lifetime Warranty

## Typical Application



### Lifetime Warranty

# NetWay4E1LWPX

4-port PoE+ Outdoor Hardened Switch with  
Optimized Lithium Iron Phosphate Battery Charger



## Specifications

### Input

Voltage 115VAC, 60Hz, 2.5A or 230VAC, 50/60Hz, 1.3A  
Input Fuse 5A/250V

### Power Output

Maximum Power Four (4) 10/100/1000 Mbps Ethernet ports rated at 30W each (limited to 120W total power) IEEE 802.3af (15W) and IEEE 802.3at (30W) compliant 75W total power. Integral surge protection

### Fiber Ports:

One (1) Gigabit SFP port.

### Ethernet Ports:

Four (4) 10/100/1000 Mbps ports  
Connectivity: RJ45, auto-crossover  
Wire type: 4-pair CAT5 or better structured cable  
Distance: up to 100m.  
Speed: 10/100/1000 Mbps, half/full duplex, auto negotiation

### Back-up Battery

Type LiFePO<sub>4</sub> (Lithium Iron Phosphate)  
Failover Upon AC loss, instantaneous

### Indicators (LED)

Individual PoE On LEDs for each port  
Individual IP Link status, 10/100Base-T/active LEDs for each port  
ALOS LED indicates fiber connection for SFP port  
Heartbeat LED indicates proper operation of the unit

### Agency Listings

CE European Conformity

### Physical and Environmental

#### Dimensions (H x W x D)

Enclosure: 17.53" x 15.3" x 6.67" (445.3mm x 388.6mm x 169.4mm)  
Shipping: 21.375" x 14.5" x 9.5" (542.9mm x 374.7mm x 241.3mm)

NEMA 4/4X, IP66-11 Rated enclosure for outdoor use

Accommodates one (1) 12VDC/LiFePO<sub>4</sub> (Lithium Iron Phosphate) battery

#### Weight (approx.)

Product: 15 lb. (6.8 kg)  
Shipping: 17.5 lb. (7.9 kg)

#### Temperature

Operating:  
60W: -40°C to 75°C (-40°F to 167°F)  
75W: -40°C to 70°C (-40°F to 158°F)  
Storage: -40°C to 85°C (-40°F to 185°F)

Relative Humidity 85% +/- 5%

BTU/Hr (approx.) 61 BTU/Hr.

Operating Altitude: -304.8 to 2,000m

## Accessories (order separately)



PMK2

### PMK2 - Pole Mount Kit

PMK1 pole mount kit is designed to simplify installation of outdoor units. It accommodates 2"-8" (diameter) poles.



### SFP Modules - Hot Pluggable Transceivers

**P1MM** Multi-Mode SFP Module for distances up to 550m.

**P1SM10** Single-Mode SFP Module for distances up to 10km.

**P1AB2K** Single Strand SFP Module for distances up to 2km.

**P1GCE** Copper SFP Module for distances up to 100m.



NetWaySP1A

### NetWaySP1A - Ethernet Over Fiber Media Converter/Repeater for Applications Requiring an Additional SFP (Fiber) Port

NetWaySP1A PoE powered media converter/repeater converts 10/100/1000 Mbps to Fiber (1000Base-X/SX/LX).



BTL125

### BTL125 - 12VDC/4.5AH LiFePO<sub>4</sub> Battery

Usable with all Altronix Spectrum fiber optic equipment with Optimized Lithium Iron Phosphate Battery Charger.

### Lifetime Warranty