

WISENET

CAMERA HOUSING & PAN TILT UNITS

Installation & Maintenance Instructions

Explosion Proof Cameras

CE

Camera Housing & Pan Tilt Units

Installation & Maintenance Instructions

Copyright

©2017 Hanwha Techwin Co., Ltd. All rights reserved.

Trademark

Each of trademarks herein is registered. The name of this product and other trademarks mentioned in this manual are the registered trademark of their respective company.

Restriction

Copyright of this document is reserved. Under no circumstances, this document shall be reproduced, distributed or changed, partially or wholly, without formal authorization.

Disclaimer

Hanwha Techwin makes the best to verify the integrity and correctness of the contents in this document, but no formal guarantee shall be provided. Use of this document and the subsequent results shall be entirely on the user's own responsibility. Hanwha Techwin reserves the right to change the contents of this document without prior notice.

☞ Design and specifications are subject to change without prior notice.

☞ The initial administrator ID is "admin" and the password should be set when logging in for the first time.

Please change your password every three months to safely protect personal information and to prevent the damage of the information theft.

Please, take note that it's a user's responsibility for the security and any other problems caused by mismanaging a password.

☞ Equipment shall be installed in accordance with the latest local/national codes of practice, and standards

eg :- UL 1203 Edn. 5, CSA22.2 No30-M1986 Edn1 reaffirmed 2012, CSA C22.2 No25-1966 reaffirmed 2014, CSA C22.2 No 60065-03 Edn. 1, UL60065 Edn. 7,

contents

SECTION

1.0 GENERAL	1.1	Important Safeguards and Warnings	5	4.0 MAINTENANCE	4.1	Corrosion Protection	15
5				15			
2.0 DESCRIPTION	2.1	Verions	6	5.0 LABELING	5.1	Camera Housing label	16
6	2.2	Supplied Equipment	6	16	5.2	Pan Tilt unit label	16
	2.3	Associated Equipment	6		5.3	Pan Tilt unit label	16
	2.4	Recommended Tools	6				
	2.5	Recommended Spares	6				
3.0 INSTALLATION	3.1	Unpacking and Handling	7	6.0 SPECIFICATIONS, TECHNICAL DATA			
7	3.1.1	Unpacking	7	17			
	3.1.2	Handling	7				
	3.2	Mounting	7				
	3.2.1	Mounting the XP & XT Series	7-8				
	3.2.2	Mounting the XC Series	7-8				
	3.2.3	Mounting the XF Series	9				
	3.3	Accessory Installation	9				
	3.3.1	Sunshield Installation	10				
	3.3.2	Washer Nozzle Installation	11				
	3.4	Electrical Installation	12				
	3.4.1	Electrical Installation TNP	12				
		Integrated Pan, Tilt, housing assembly					
	3.4.2	TNP Common Connection Examples	13				
	3.4.3	Electrical Installation TNO Series units	14				
	3.4.4	TNO Common Connection Examples	15				

IMPORTANT SAFEGUARDS AND WARNINGS



This symbol indicates that there are important operating and maintenance instructions in the literature accompanying this unit. Read, Keep and Follow all instructions. Prior to installation and use of this product, observe the following warnings.

1. Installation and servicing should only be carried out by qualified service personnel and in accordance with all local/national codes of practice and standards e.g. UL1203 Edn.5, NFPA 70 no modification to the certified product allowed.
2. It is essential that provision is made for overload, short circuit and earth fault protection for this equipment. Therefore we recommend that a double pole, mains rated, miniature circuit breaker rated to the max power consumption of the unit, must be incorporated in the electrical installation of the power supply to this product.
3. A readily accessible disconnection device shall be incorporated in the electrical installation wiring, to provide all pole isolation of the supply to the equipment.
4. Only use tools and replacement parts supplied or recommended by Hanwha.
This unit does not contain any user serviceable parts.
5. Care must be taken to ensure selection of suitable cables connecting to these units, when installed in operating temperatures above +70°C.
6. The equipment is designed to satisfy the requirements of UL60065 7th Edition 2013/07/24. CSA C22.2 No. 60065-03 2012/08/01 Safety Requirements ANNEX II of ATEX directive 94/9/EC.
7. Be aware that aggressive substances may require extra protection of the equipment to maintain its integrity and explosion protection.
8. The equipment may need additional means of protection if it is to be installed in locations where it may be exposed to excessive external stresses e.g. vibration, heat, impact and damage.

9. Any repairs or replacement parts must be done by the manufacturer or a suitably qualified repair agent.
10. Due to the large weight of the units, correct planning and equipment must be used when unpacking and installing also for the PTZ units the correct lifting points must be adhered to (see section 3.1.2)
11. Systems can be fitted with integral fiber Optic transmitters, this means that the fiber optic cabling used has additional protective measures to ensure that the optical radiation is confined within the cabling, by the use of a robust conduit covering externally, and Kevlar braided cable inside the conduit and the enclosure. NFPA 70 500.8 (F)
12. When batteries are fitted to electronic equipment they must be removed and are not to be replaced.
13. After installation, operatives must adhere to the following warning on the units label:

**WARNING: DO NOT OPEN WHEN ENERGISED OR
WHEN AN EXPLOSIVE ATMOSPHERE IS PRESENT.
CLEAN WITH DAMP CLOTH.**



This symbol indicates that dangerous voltage constituting a risk of electric shock may be present within this unit.

14. Illuminator "CAUTION Possibly hazardous optical radiation emitted from this product."

description

The Explosion Proof camera assemblies have been developed to meet the rigorous requirements of Flame proof and dust-ignition-proof electrical equipment for installation and use in hazardous locations found in the onshore and offshore, oil & gas and petro-chemical installations. The units may also be used in marine and industrial hazardous environments.

The housing body and all external parts are manufactured entirely of AISI 316L stainless steel for low maintenance and protection from corrosion. Each of the main end covers is fixed to the body by five (5), M6 x 16-mm stainless steel hex cap screws, with the cable entry cover of the TNP camera systems using five (5) M5 x 12-mm stainless steel hex cap screws or M110x1.5 screw on cover; all conforming to the requirements of UL 1203. The weatherproof seal of the union between the body and end covers is maintained by use of 'O' ring seals fitted in purpose made grooves.

The camera housings feature an internal sliding camera mounting rail which is fitted with an internal heating element/de-mister, thermostatically controlled, to maintain operating temperature, and ensure clarity of vision through the window, together with the optional integral window wiper mechanism.

There are two system types that are made up from different combinations of a Box camera (-6070 / -6071) with a 2.8-12mm lens or 32x Zoom camera (-6320).

The TNO series fixed housings comprise a single tube section with either three (3) cable entries in the rear cover or one (1) in the side (model dependant). The TNP series comprise a camera housing fixed to a PTZ unit via an integrated tilt shaft; there are three (3) cable entries in the rear cover of the housing or one (1) into the rear side of the PTZ unit (model dependant).

The TNO series housings and TNP integrated pan/tilt units have been designed and certified to UL1203, with the following rating:

Class I Div 1 Group B,C,D
Class II Div 1 Groups E,F,G

Operating temperature range -40°C - 60°C (Optional -60°C - 40°C for cLC CSA)
Note: Operating temperature range is dependent on the assembly configuration and maximum internal power dissipation.



The project requirements and unit certification label must be checked by the installer before installation, to confirm that the product supplied is suitable for the intended installation zone and environment.
Manufactured in accordance with
UL 1203 Edn. 5, CSA22.2 No30-M1986 Edn1 reaffirmed 2012, CSA C22.2 No25-1966 reaffirmed 2014, CSA C22.2 No 60065-03 Edn. 1, UL60065 Edn. 7,

VERSIONS

There are various camera configurations available within the range; these include Day/Night box or zoom cameras with optional wiper, integral washer, external washer, or fibre optic interface. Due to the large variations of possible configurations, this manual only covers the standard installation of the units.



For detailed connection and configuration of units, the installer should refer to individual project specific drawings and information.

In addition to this manual there are various addendums available that cover the specific function of electronics that can be included within the camera assemblies.

SUPPLIED EQUIPMENT

Contained in the package are the following items:

- Camera system
- Installation/Technical Manual
- Optional Sunshield and Fixings
- Optional Washer Nozzle Kit

RECOMMENDED TOOLS

For installation and maintenance purposes, we recommend the following hand tools:

- | | |
|----------------------|--|
| ● Voltmeter/Ohmmeter | |
| ● Torque wrench kit | Set to 7.5Nm, Hex Allen wrench bits of 5, 4, 3 & 1.5mm |
| ● Spanners | 5.5mm, 8mm, 10mm & 13mm A/F |
| ● Screw drivers | standard and Phillips head |
| ● Pliers | side cutting and long nose |

UNPACKING

In order to ensure proper wiring and system operation of all components, it is recommended that all units and all associated control equipment be tested at your Factory before field installation is attempted.

On receipt of the units ensure that the cartons are undamaged and that the contents are all correct and complete.

After unpacking it is recommended that the packing materials are kept safe in case they are needed for returning the unit for repair or maintenance.

The protective white film should be removed from sunshields prior to fitting.

HANDLING



Due to the large weights of the products, correct handling is of great importance. Lifting into position of PTZ units should always be completed using suitable lifting equipment that is capable of supporting loads in excess of 65Kg (143 lb). PTZ camera systems should only be lifted using the T-shaped section of the PTZ, with equal support on both sides; the camera housing section of the unit must not be used for lifting. To avoid causing damage to the unit do not rotate by hand. The units should not be handled having direct contact with ferrous metal equipment. (see section 4.1 for details)

MOUNTING



To prevent injury ensure the mounting surface and the selected mount can support four times the combined weight of the complete unit.

Do not stand or place objects “directly under” installed system.

Due care must be taken to ensure sufficient clearance is allowed to permit full rotation of the unit with its associated equipment mounted and that the moving unit cannot make contact with personnel.

It is strongly suggested that where possible the Hanwha range of mounting brackets are used.

MOUNTING THE HBD SERIES (HORIZONTAL OR INVERTED ONLY)

The pan/tilt/housing assembly may be mounted onto various structures such as bulkheads, walls or towers, it can be mounted in the Horizontal or inverted position but the inverted option must be specified upon order.

The complete assembly is mounted to the support structure via its base mount which has 11mm clearance holes for four (4) No. M10 fixings. (Fig 1)

The type and size of these fixings to be supplied by the user/installer and must be suitable for the specific installation requirements.

An alternative is to use the HT-E-BPW6800 Wall mount bracket (Fig 2)

installation

Dimensions

Unit: mm

Fig. 1. H916DK * Wall Bracket

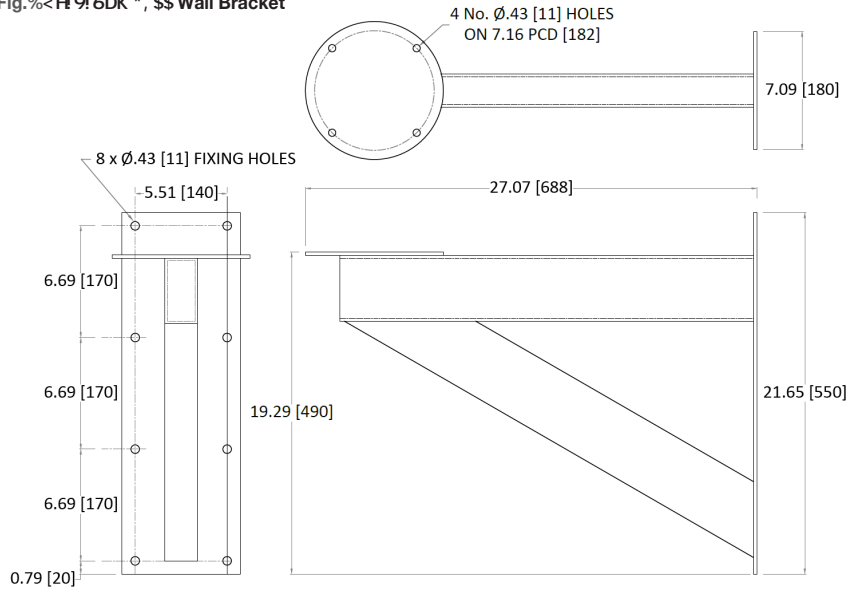


Fig. 2. HBD1 * & 9

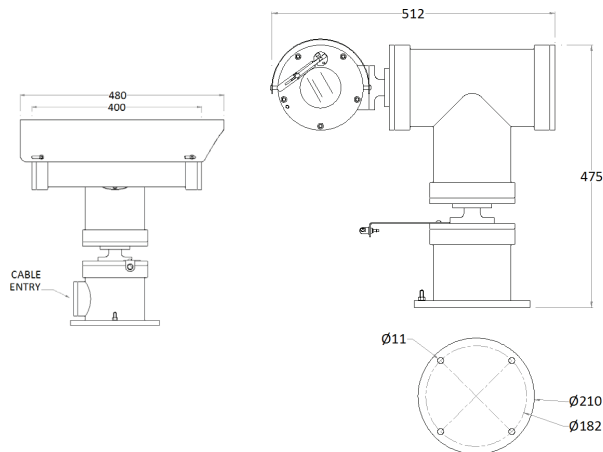


Fig. 3. H916: K) 9K Wall Bracket

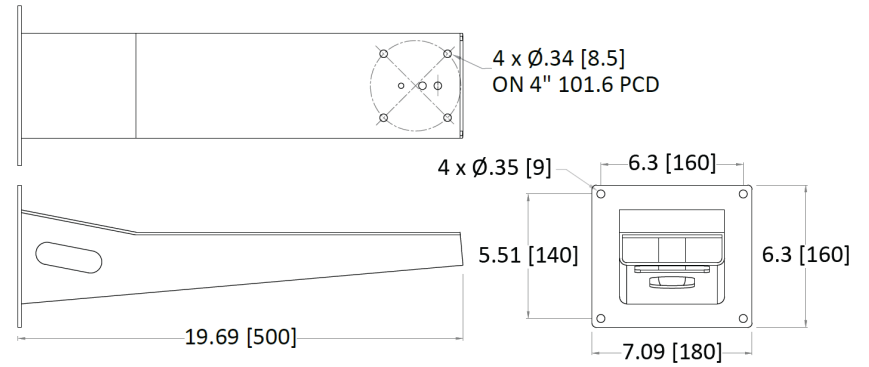
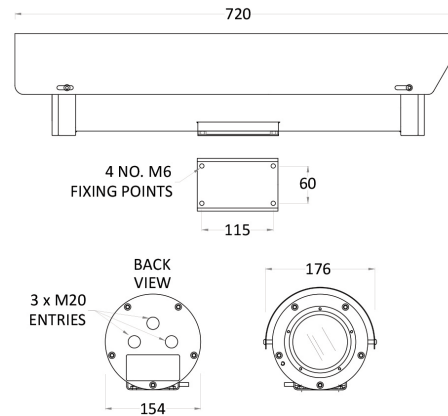


Fig. 4. HBC1 * & 9&



installation

Fig. 9.6: DSGK Swivel Joint & Pole Top Adaptor

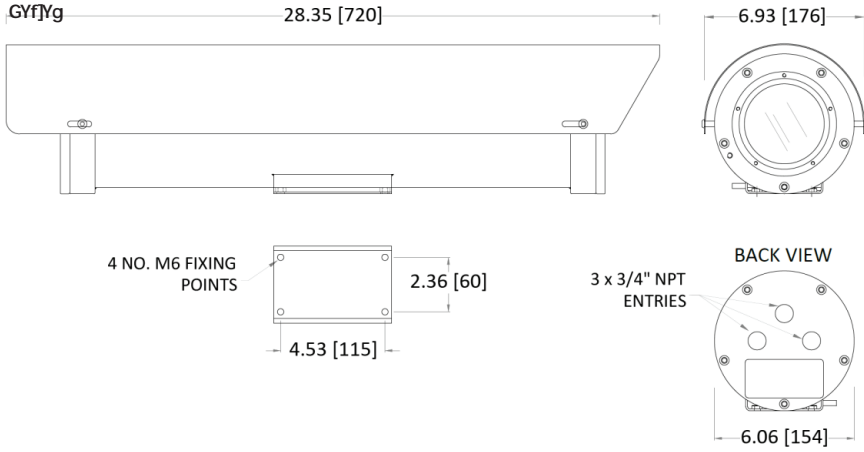


Fig. 9.6: DSGK Swivel Joint & Pole Top Adaptor

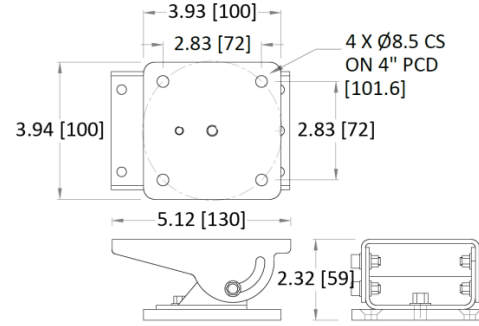
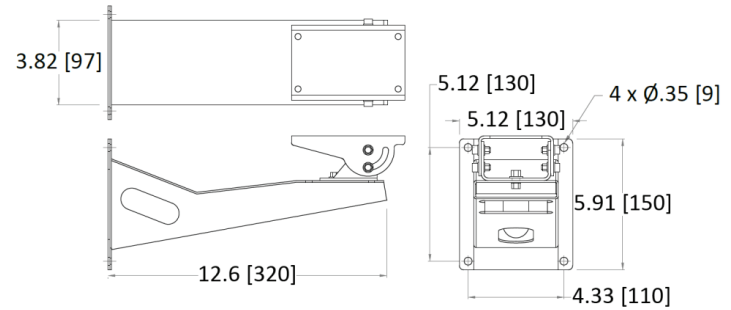


Fig. 9.6: KSGK Swivel Joint & Pole Top Adaptor



SUNSHIELD INSTALLATION

Sunshields are supplied uninstalled to prevent damage during shipping and unpacking. They are supplied with a protective white film that must be removed prior to installation.

The correct sunshield fixings, for each model, are supplied with the camera system and should be positioned as detailed below.

To mount the sunshields, first they must be positioned correctly and fixed with a Nylon spacer between the sunshield and the camera housing, the M6 A4 Button head screws supplied must have the red fiber washer fitted before fixing the sunshield. (Fig 9 & 10)

Long and Medium sunshield have four equally sized fixings for each corner but the short sunshield has two fixing types, one for the front and shorter screws and nylon spacer at the rear. (Fig 10)

Fig., Mid and Long Housing Sunshield Installation

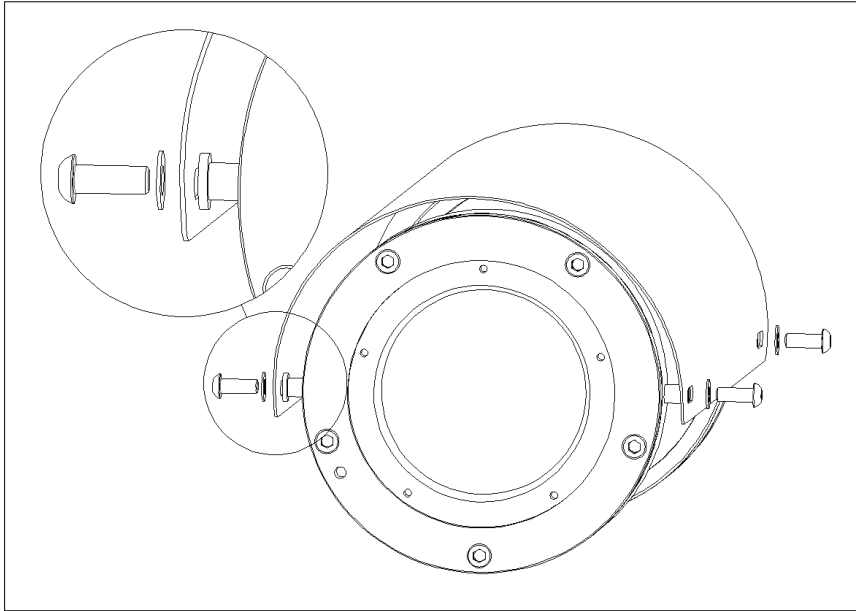
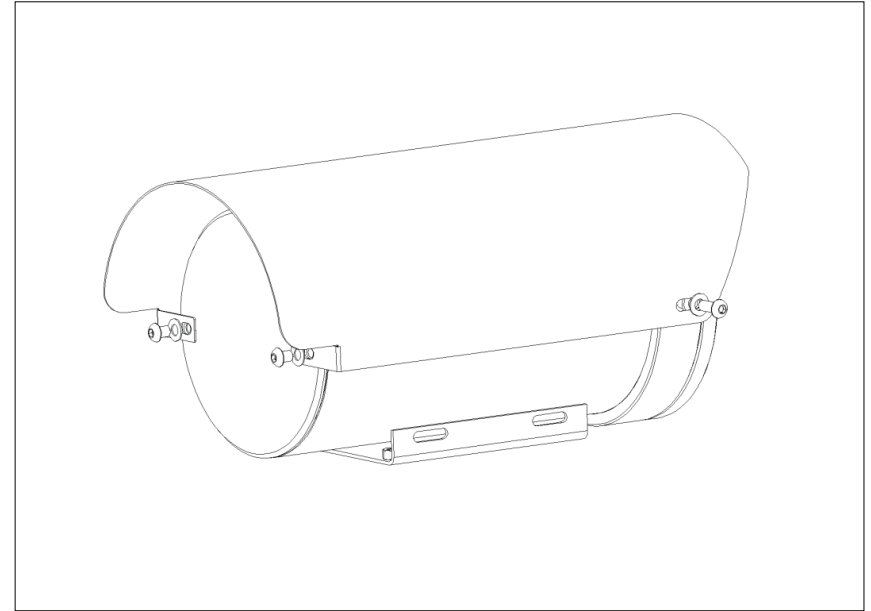


Fig.- Short Housing Sunshield Installation



WASHER NOZZLE INSTALLATION

A continuous rotation PTZ system, if supplied with an external washer unit, is supplied with a suitable washer nozzle and mounting bracket. These should be fitted during installation with the supplied fixing and positioned to allow cleaning fluid to reach the camera housing window when the wash command is sent. The supplied washer nozzle brackets are specific to housing type and are delivered pre-aligned for use. (Fig. 11 & 12)

When a wash command is sent to the camera, the unit will move to the factory set position to allow for the screen to be washed.

For non-continuous rotation P&Ts and fixed housings the washer nozzle is installed on the front window flange. (Fig. 13)

Fig.1\$ 260mm Housing washer nozzle

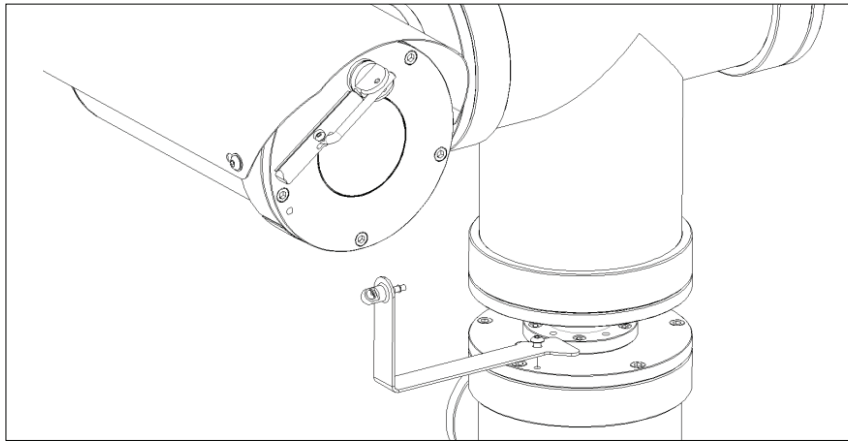


Fig.1%400mm Housing washer nozzle

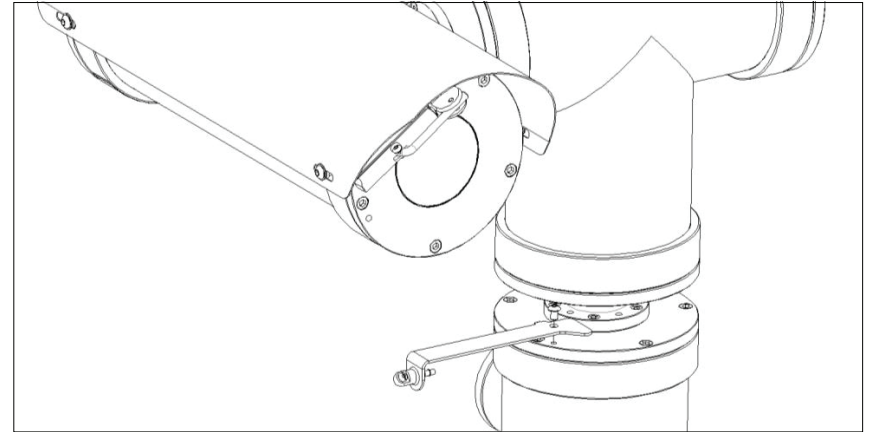
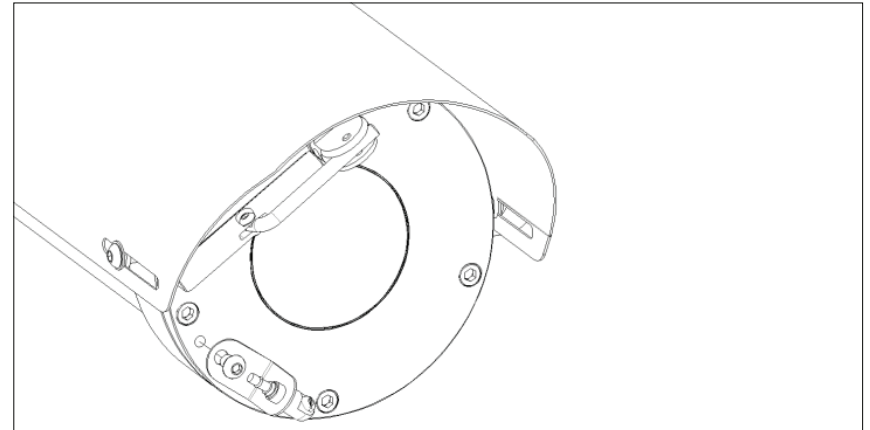


Fig.1& Non-continuous Rotation DHNg and Fixed housings washer nozzle



ELECTRICAL INSTALLATION



Electrical installation and servicing should only be carried out by qualified skilled personnel the class of wiring shall be marked adjacent to the mains terminals and in accordance with all local/national codes of practice and standards e.g. UL 1203 Edn. 5, CSA22.2 No30-M1986 reaffirmed 2014, CSA C22.2 No25-1966 reaffirmed 2014, CSA C22.2 No 60065-03 Edn. 1, UL60065 Edn. 7, Due to the large variations of possible configurations, this manual only covers the standard installation of the units.

For detailed connection and configuration of units, the installer should refer to individual project specific drawings and information.

Units can be supplied, as required, with either 24VAC, 110VAC~ or 230VAC~ Supply; all $\pm 10\%$ The units should only be powered from the specified voltage; no allowance is made for varying voltage supply.

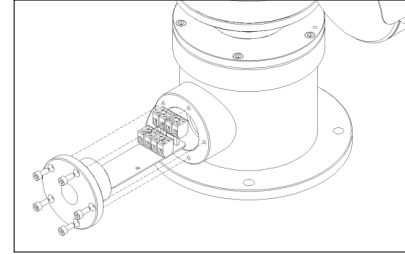


Warning : Irreparable damage to the unit will result from the application of incorrect Power Supply Voltage

ELECTRICAL INSTALLATION HBD INTEGRATED PAN, TILT, HOUSING ASSEMBLY

1. Always use colour-coded conductors or other identification of conductors for ease of wiring and identification of function at a later date.
2. Keep a wiring diagram with the system for later use and reference.
3. Provision is made for one or two cable entries, at the base mount of the pan tilt.(Fig 14A to 14E)
To maintain the certification requirements of the unit all cables/conduits must be fitted at the entry, with certified Class / Div Flameproof, compound filled barrier glands, or conduit sealing fittings within 2" or 50mm of the enclosure.
4. The cable entry to the unit is either one M25 (-C / -M models) or two 3/4" NPT thread (-Z model).
5. A minimum of 5 fully engaged threads must be maintained for all glands.
6. All unused threaded openings shall be closed by suitably approved threaded plugs, recommended EBNV/7 approved.
7. All glands/reducers must be ingress protected to IP67 or better, to maintain the weatherproof rating of the equipment.
8. For maintenance purposes, consult separately supplied additional wiring drawings specific to the purchase order, for as built wiring and connection details of the unit.
9. The Dual entry option has an accessible input fuse (f1). Check that the input fuse matches the voltage requirement – 24VAC – 6.3A \geq 110 – 2A

Fig.1' Gaining access to the HBD Base junction box (single entry design)

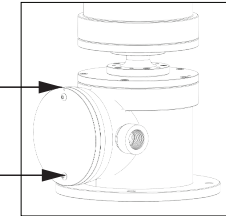


Caution should be taken when removing and inserting the cable entry flange to avoid internal cable becoming snagged on corners or screws.
THE CABLE ENTRY FLANGE SHOULD NEVER BE REMOVED WHEN THE UNIT IS ENERGISED

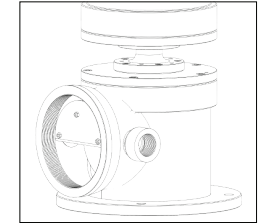
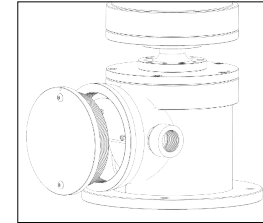
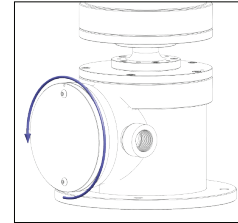
Fig.1(Gaining access to the HBD Base junction box (dual entry design)

Loosen M3 grub screw using 1.5mm Allen Key

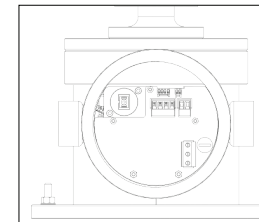
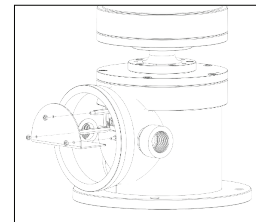
M5 button head



ⓘ 10 2% 2%+ Unscrew entry chamber lid, the two M5 button head screws and threaded holes can be used to assist in rotating the chamber lid.



ⓘ 1% / % Remove connection cover to reveal all connections.



installation

HBD COMMON CONNECTION EXAMPLES

Always refer to project specific drawings and information

Fig.8 Common connection PCB for single entry design

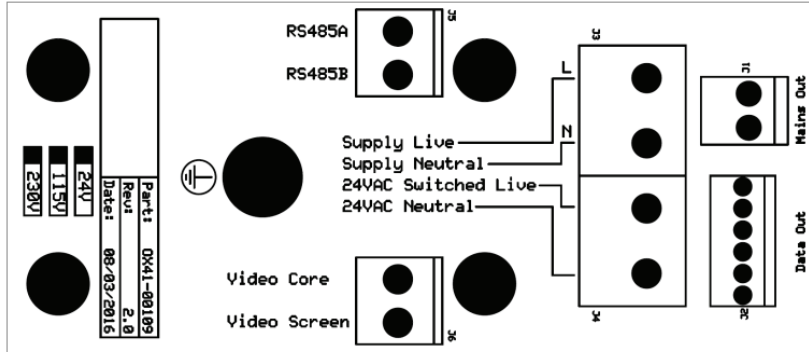
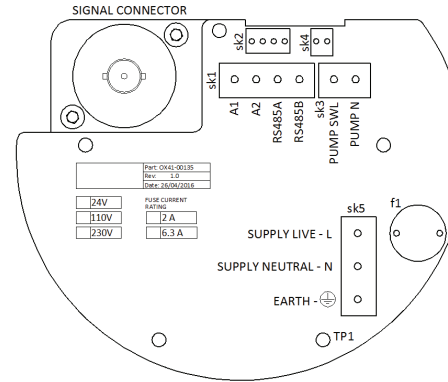
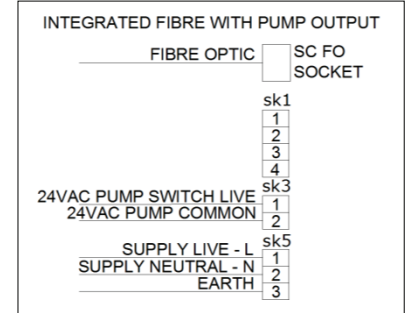
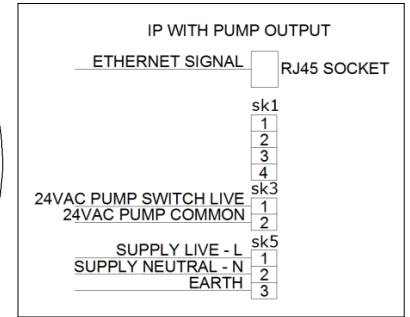


Fig.2 Common connection for Dual entry design



Caution should be taken when connecting the supply voltage, to ensure that it matches the marked value

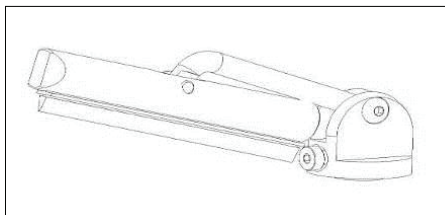


ELECTRICAL INSTALLATION HBC SERIES UNITS



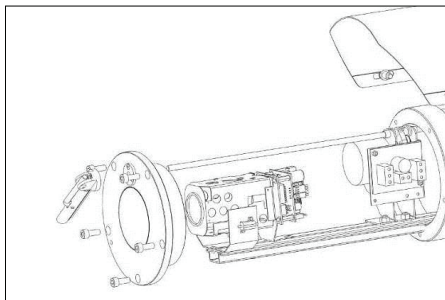
1. Cable entry type to the housing is via 1 x 1/2" NPT entry at the side adaptor of the housing, or for some version via the triple 3/4" NPT cable entry end cover on the rear of the housing, solely for connection of power and signal wiring, no internal user wiring is allowed in this unit. (Fig 15, 16 & 17)
2. Keep a wiring diagram with the system for later use and reference.
3. For maintenance purposes, consult separately supplied additional wiring drawings specific to the purchase order, for as built wiring and connection details of the unit.

Fig. 2& Removing the Wiper Arm



To gain access to the internal camera rail, first the rail will need to be slid out to allow connections to be made. If a wiper is fitted, first take note of the parked position of the wiper arm and then remove it by loosening the M4 cap head screw that clamps to the wiper shaft. Keep the wiper and nylon washer safe for refitting. This is best done without the sunshield fitted.

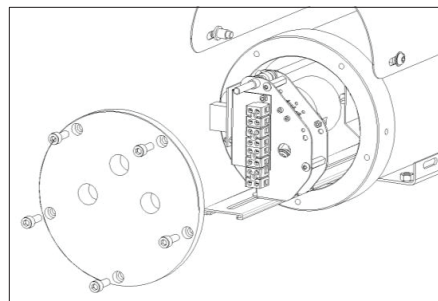
Fig.2' Removing the Front Window flange



Remove the front window flange by first removing the 5 x M6 screws and then carefully extracting the flange.

Next slide out the camera mounting rail, if required.

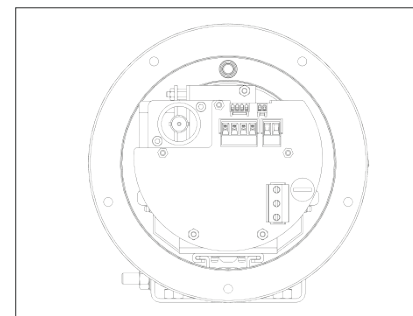
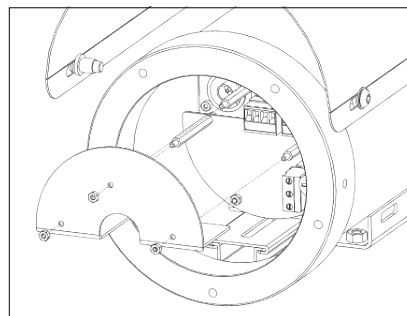
Fig.2(Removing the rear flange



Remove the rear flange by first removing the 5 x M6 screws and then carefully extracting the flange.

Next slide out the camera mounting rail to reveal the incoming cable connection terminals.

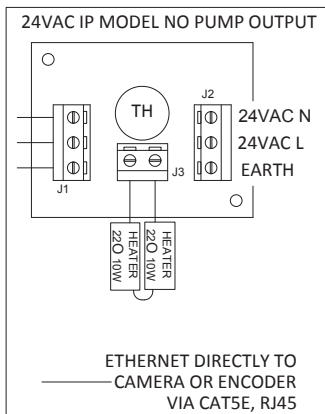
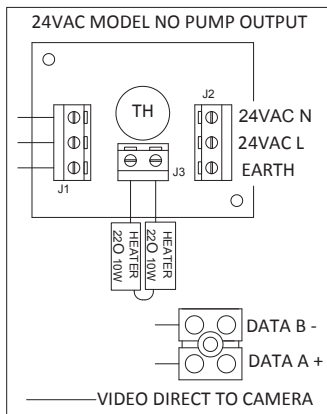
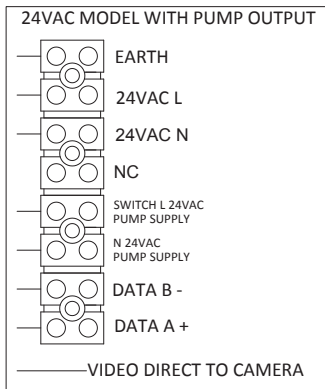
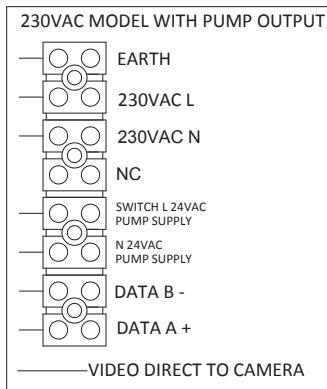
: [(X) / &* Removing the connection cover to reveal all connections for high voltage options



Warning : Covers must not under any circumstances be removed until at least 5 minutes after the disconnection of power source.

HBC Common Connection Examples

Always refer to project specific drawings and information
Also refer to figure 22 for common input examples when input connection PCB is installed.



Recommended inspection interval: 6 Months.

Inspect the unit every six months to ensure trouble free operation and extend product life.

Due to the rugged construction of the unit, little or no maintenance should be required.

However when the unit is exposed to extreme weather conditions the 'O' ring weather seals may need replacement approximately every five years.

Fixings and fastenings should be checked for tightness and integrity at regular intervals.

All cable entries and cables should be checked for integrity at regular intervals.

Extremely Harsh Environments may require more frequent inspection and maintenance checks.

At every Inspection carry out the following:

- Clean the unit.
- Check the 'O' ring weather seals and replace if necessary.
- Check and if necessary replace the washer nozzle.
- Check and if necessary replace the window wiper blade assembly.

Please read and be familiar with the instructions before servicing the Pan/Tilt or housing.

CORROSION PROTECTION

Although all external metal components are produced from 316L Stainless Steel, if the units are not correctly maintained, handled and cleaned there is the possibility of mild discolouration due to Oxidation.

If ferrous metal equipment is used when handling the units, small ferrous deposits could be left on the stainless steel or if ferrous metal particles come to rest upon the units from nearby works, this can cause accelerated corrosion of the ferrous deposits and discolour the units due to oxidation. In the event of ferrous deposits, the units should be cleaned immediately following Hanwha guidelines.

In atmospheres that are high in corrosive particles the units should be cleaned every 3 to 4 months using only Hanwha recommended cleaning products and procedures. (contact Hanwha for details)



< Ubk \U takes no responsibility for oxidisation due to failure in correctly following cleaning procedures.

Hanwha Techwin America

500 Frank W. Burr Blvd. Suite 43 Teaneck, NJ 07666

Toll Free +1.877.213.1222 Direct +1.201.325.6920

Fax +1.201.373.0124

www.hanwhasecurity.com
