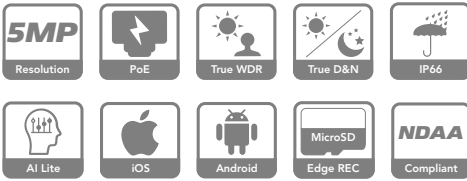


**AVC-NCB81M**  
**8MP H.265 MOTORIZED LENS BULLET CAMERA**



**InfiniteColor**  
 (Full Color Technology)



**8MP H.265 MOTORIZED LENS BULLET CAMERA**

8MP H.265 MOTORIZED LENS BULLET CAMERA

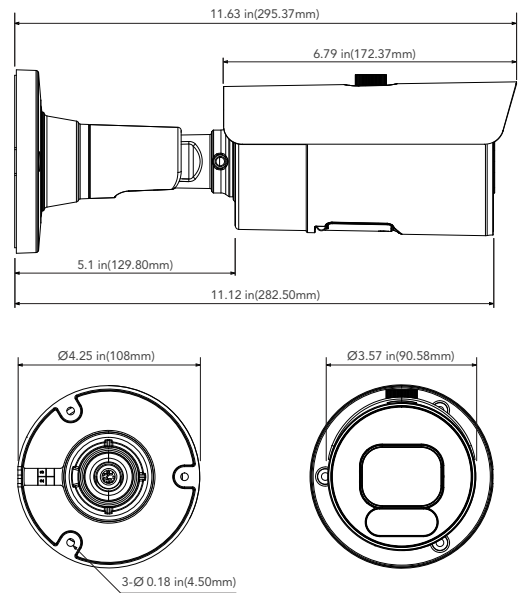
The AVYCON AVC-NCB81M camera is a 8MP H.265 Motorized Lens Bullet Camera. This 8MP IP camera supports True Day and Night mode, PoE, and up to 114ft. of Smart IR Illumination. It also incorporates AVYCON's InfiniteColor technology with the supplementation of a white floodlight, allowing videos to be viewed in color even in complete darkness. This camera includes a Motorized 2.8-12mm Lens. Also standard with this series is Digital NR, ROI, HLC, True WDR, and BLC capabilities. Optional accessories for this camera include a Junction Box Mount. Includes a MicroSD memory card slot for standalone recording applications.

**FUNCTIONS**

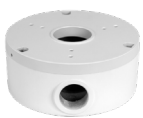
- 8MP ( 3840 x 2160 ) @ 20fps
- Max. Resolution: 3840 x 2160
- Supports Smart H.265/H.264 Encoding
- True Day & Night ICR
- Up to 114 ft. IR Illumination
- Motorized 2.8-12mm Lens
- 3D DNR, True WDR, HLC, BLC and ROI Encoding
- Supports Dual-Streams
- Supports Remote Access with Windows, macOS, iOS and Android
- Operating Temperature: -22°F - 140°F
- D12V / PoE (802.3af, ≤6W)
- Built-in MicroSD Card Slot
- Built-in Reset Button
- NDA A Compliant

**DIMENSIONS**

Unit : inch (mm)



**OPTIONAL ACCESSORIES**



AVM-JB-BE-S1(-G)  
 JUNCTION BOX  
 (FIT VERSION)



AVM-JB-BE-L1(-G)  
 JUNCTION BOX  
 (WIDE VERSION)



AVM-CRM-A1  
 CORNER MOUNT



AVM-POM-A1  
 POLE MOUNT



AVA-MICSPKSRN  
 AUDIBLE AND VISUAL ALARM DEVICE



**AVC-NCB81M**  
**5MP H.265 MOTORIZED LENS BULLET CAMERA**

**SPECIFICATIONS**

CAMERA					
Image Sensor	1/2.8" Progressive Scan CMOS				
Resolution	3840 x 2160				
Shutter Speed	1/5s to 1/20000s				
Min. Illumination	Color 0.007lux @ F1.0(AGC ON) ; B/W 0 lux @ IR ON				
IR Distance	Up to 35m				
WarmLight Viewable Length	Up to 30m				
Lens	2.8-12mm @ F No. 1.2 H:107(W)-34(T)° V : 56(W)-19(T)° D : 129(W)-39(T)°				
Lens Mount	1/5s ~ 1/20,000s				
Lens Type	Ø16.7				
Day & Night	Full Color Mode/Day&Night Mode/Schedule				
Wide Dynamic Range	True WDR				
Digital NR	3D DNR				
Backlight Compensation (BLC)	Off/On (5 Zone)				
Highlight Compensation (HLC)	Yes				
Defog	Yes				
Gain Control	Auto				
White Balance	Auto/Manual				
Flip/Mirror	Yes				
Complementary Lighting	WarmLight x3, IR LED x4				
VIDEO IMAGE					
Video Compression	H.264 / H.265				
Resolution	8MP(3840x2160), 5MP(2592x1944,3072x1728), 4MP(2592x1520), 3MP(2304x1296), 1080P(1920x1080), 720P(1280x720), VGA(640x480), QVGA(320x240)				
Main Stream	8MP(3840x2160), 5MP(2592x1944,3072x1728), 4MP(2592x1520), 3MP(2304x1296), 1080P(1920x1080), 720P(1280x720)				
Sub Stream	720P(1280x720), VGA(640x480), QVGA(320x240)				
Third Stream	VGA(640x480), QVGA (320x240)				
Video Compression	256Kbps ~ 16Mbps				
Image Settings	Day & Night, BLC, WDR, DNR, Privacy Masking, White Balance				
ROI	Yes				
NETWORK / INTERFACE					
Network	RJ45(10/100BASE-T)				
Network Protocol	TCP/IP,HTTP,DHCP,DNS,DDNS,RTP/RTSP,SMTP,NTP,UPnP,SNMP,HTTPS,FTP				
Interface Protocol	ONVIF( Profile S/G/T)				
Web Browser	Microsoft Edge, Safari, Firefox, Google Chrome				
Online Connection	Support simultaneous monitoring for up to 3 users; Support multi-stream real time transmission				
Security	IP Address Filter; Complicated Password; Authenticated Username and Password				
Streaming Method	Unicast / Multicast				
Storage	Built-in micro SD card slot, up to 256GB				
Video Output	No				
Audio	1 input (RCA), 1 output (RCA)				
Alarm	1 input , 1 output				
Hardware Reset	Yes				
DORI DISTANCE					
	Lens	Detect	Observe	Recognize	Identify
	2.8 ~ 12mm (W)	269.7ft (82.2m)	107.0ft (32.6m)	53.8ft (16.4m)	26.9ft (8.2m)
	2.8 ~ 12mm (T)	849.1ft (258.8m)	336.9ft (102.7m)	168.9ft (51.8m)	85.0ft (25.9m)
FUNCTIONS					
Remote Monitoring	Avycon CMSONE, Avycon Moblie One				
Smart Alarm	Motion Detection				
Smart Analytics	Face Recognition (FR) Human&Vehicle Detection (PD&VD) Perimeter Intrusion Detection (PID) Line Crossing Detection (LCD) Cross Counting (CC) Stationary Object Detection (SOD) Heat Map (HM) Crowd Density Detection (CD) Queue Length Detection (QD) license Plate Detection (LPD) Rare Sound Detection (RSD)				
GENERAL					
Power Supply	D 12V / PoE (802.3af)				
Power Consumption	TBD				
Operating Environment	-30~+60°C/less than ≤ 95% RH				
Dimensions (in)	11" x 3.4" in (Ø280 X 86.5 mm)				
Weight (lb)	1.8lb(829g)				
Ingress Protection	IP67				



**AVYCON**<sup>®</sup>

Copyright © AVYCON. All rights reserved. Specifications and pricing are subject to change without notice.

phone: 949-752-7606  
 email: info@avycon.com  
 social: @avycon\_aivo  
 website: avycon.com