

AVC-NPV81F28

8MP H.265 FIXED VANDAL DOME NETWORK CAMERA



Infinite+Star™



8MP H.265 FIXED VANDAL DOME NETWORK CAMERA

8MP H.265 FIXED VANDAL DOME NETWORK CAMERA

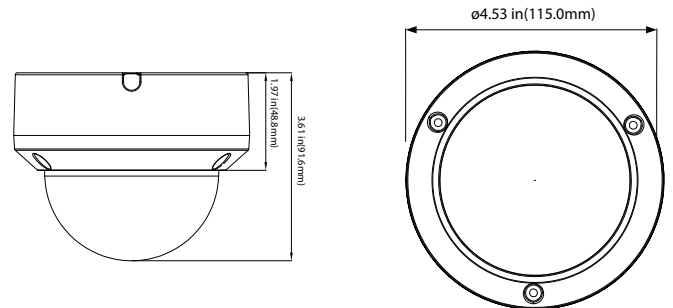
The AVYCON AVC-NPV81F28 camera is a 8MP H.265 Vandal Dome Network Camera. This 8MP IP camera supports True Day and Night mode, PoE, up to 98ft. of Smart IR Illumination, and also incorporates an InfiniteStar sensor which allows viewing of video in the lowest of light environments, even in color. This camera includes a Fixed 2.8mm Lens. Also standard with this series is Digital NR, ROI, HLC, True WDR, and BLC capabilities along with IP67 outdoor rating. Optional accessories for this camera include a Junction Box Mount. Includes a MicroSD memory card slot for standalone recording applications.

FUNCTIONS

- 8MP (3840 x 2160) @ 20fps
- Max. Resolution: 3840 x 2160
- Supports Smart H.265/H.264 Encoding
- True Day & Night ICR
- IP67 Ingress Protection
- Up to 98 ft. IR Illumination
- Fixed 2.8mm Lens
- 3D DNR, True WDR, HLC, BLC and ROI Encoding
- Supports Triple Streams
- Supports Remote Access with Windows, macOS, iOS and Android
- Operating Temperature: -22°F - 131°F(-30°- 55°C)
- DC12V / PoE (802.3af, ≤6W)
- Built-in MicroSD Card Slot
- Built-in Reset Button
- NDA A Compliant

DIMENSIONS

Unit : inch (mm)



OPTIONAL ACCESSORIES



AVM-JB-V-S1
JUNCTION BOX



AVM-CWM-EV-S1
COMPACT WALL MOUNT



AVM-HWM-V-S1
HEAVY-DUTY WALL MOUNT



AVM-HCM-V-S1
CEILING MOUNT



AVM-CRM-A1
CORNER MOUNT



AVM-POM-A1
POLE MOUNT



AVA-MICSPKSRN
AUDIBLE AND VISUAL ALARM DEVICE



AVM-RM-V-S1
RECESSED CEILING MOUNT



AVYCON®

Copyright © AVYCON. All rights reserved. Specifications and pricing are subject to change without notice.

AVC-NPV81F28

8MP H.265 VANDAL DOME NETWORK CAMERA

SPECIFICATIONS

CAMERA					
Image Sensor	1/2.7" Progressive CMOS				
Image Size	3840 x 2160				
Shutter Speed	1/5s to 1/20000s				
Min. Illumination	Color 0.009lux @ F1.6(AGC ON) ; B/W 0 lux @ IR ON				
IR Distance	Up to 65ft				
Lens	2.8mm @ F No. 1.6 Horizontal: 105° Vertical: 55° Diagonal: 126°				
Lens Mount	Fixed(M12)				
Day & Night	IR cut filter with auto switch (Day/Night/Auto/Image/Schedule)				
Wide Dynamic Range	DWDR, 120db @ 8MP 15fps				
Digital NR	Yes				
Backlight Compensation (BLC)	Off/On (5 Zone)				
Highlight Compensation (HLC)	Yes				
Defog	Yes				
Gain Control	Auto				
White Balance	Auto/Manual/Indoor				
Flip/Mirror	Yes				
VIDEO IMAGE					
Video Compression	Main stream: H.265 / H.264 Sub/third stream: H.264 / H.265 / MJPEG				
Resolution	8MP(3840x2160),5MP(2592x1944,3072x1728), 4MP(2592x1520), 3MP(2304x1296), 1080P(1920x1080), 720P(1280x720), VGA(640x480), QVGA(320x240)				
Main Stream	8MP(3840x2160),5MP(2592x1944,3072x1728), 4MP(2592x1520), 3MP(2304x1296), 1080P(1920x1080), 720P(1280x720) @ 20FPS				
Sub Stream	720P(1280x720), VGA(640x480), QVGA(320x240) @ 20 FPS				
Third Stream	VGA(640x480), QVGA (320x240) @ 20 FPS				
Video Bit Rate	256Kbps ~ 16Mbps				
Image Settings	Day & Night, BLC, WDR, DNR, Privacy Masking, White Balance				
ROI	Yes				
NETWORK / INTERFACE					
Network	RJ45(10/100BASE-T)				
Network Protocol	TCP/IP,HTTP,DHCP,DNS,DDNS,RTP/RTSP, SMTP,NTP,UPnP,SNMP,HTTPS,FTP				
Interface Protocol	ONVIF(Profile S/G/T)				
Web Browser	Microsoft Edge, Safari, Firefox, Google Chrome				
Online Connection	Support simultaneous monitoring for up to 3 users; Support multi-stream real time transmission				
Security	IP Address Filter; Complicated Password; Authenticated Username and Password				
Streaming Method	Unicast / Multicast				
Storage	Built-in micro SD card slot, up to 256GB				
Video Output	No				
Audio	1 input (RCA), 1 output (RCA)				
Alarm	N/A				
Hardware Reset	Yes				
DORI DISTANCE					
	Lens	Detect	Observe	Recognize	Identify
	2.8mm	262.5ft (80m)	104.0ft (31.7m)	52.5ft (16m)	26.2ft (8m)
FUNCTIONS					
Remote Monitoring	Avycon CMSONE, Avycon Mobile One				
Smart Alarm	Motion Detection				
Smart Analytics	Face Recognition (FR) Human&Vehicle Detection (PD&VD) Perimeter Intrusion Detection (PID) Line Crossing Detection (LCD) Cross Counting (CC) Stationary Object Detection (SOD) Heat Map (HM) Crowd Density Detection (CD) Queue Length Detection (QD) license Plate Detection (LPD) Rare Sound Detection (RSD)				
GENERAL					
Power Supply	D12V/POE(IEEE802.3af)				
Power Consumption	2W-3W / 3.5W-5W (IR On)				
Operating Environment	-35~+55°C/less than ≤ 95% RH				
Dimensions (in)	4.8" x 1.9" in (Ø121 X 48mm)				
Weight (lb)	1.0lb (456g)				
Ingress Protection	N/A				



AVYCON[®]

Copyright © AVYCON. All rights reserved. Specifications and pricing are subject to change without notice.

phone: 949-752-7606

email: info@avycon.com

social: @avycon_aivo

website: avycon.com