

# Quick Start Guide

## *GV-IP Cloud Cameras*



- **GV-GBL4900 / GBL4911**
- **GV-GDR4900**
- **GV-GEB4900**
- **GV-GEBF4911**
- **GV-GVD4910**

Before attempting to connect or operate this product, please read these instructions carefully and save this manual for future use.

TVTQ-QG-C



© 2024 GeoVision, Inc. All rights reserved.

Under the copyright laws, this manual may not be copied, in whole or in part, without the written consent of GeoVision.

Every effort has been made to ensure that the information in this manual is accurate. GeoVision, Inc. makes no expressed or implied warranty of any kind and assumes no responsibility for errors or omissions. No liability is assumed for incidental or consequential damages arising from the use of the information or products contained herein. Features and specifications are subject to change without notice.

GeoVision, Inc.  
9F, No. 246, Sec. 1, Neihu Rd.,  
Neihu District, Taipei, Taiwan  
Tel: +886-2-8797-8377  
Fax: +886-2-8797-8335  
<http://www.geovision.com.tw>

Trademarks used in this manual: *GeoVision*, the *GeoVision* logo and *GV* series products are trademarks of GeoVision, Inc. *Windows* is the registered trademark of Microsoft Corporation.

March 2024

**Scan the following QR codes for product warranty and technical support policy:**



[Warranty]



[Technical Support Policy]

## Warning and Caution

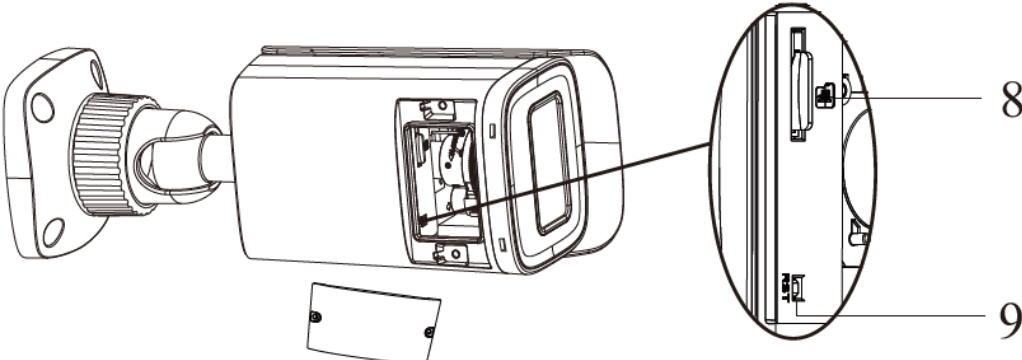
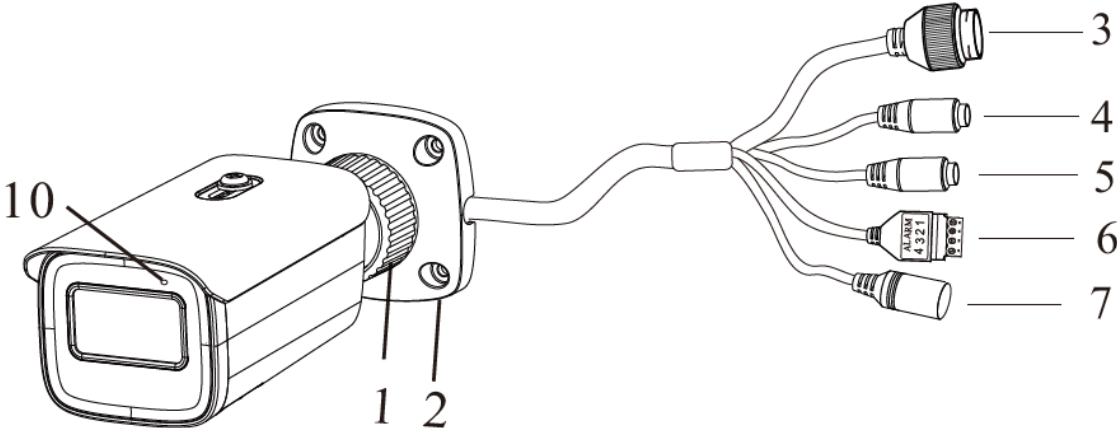
- If the product does not work properly, please contact your dealer or the nearest service center. Never attempt to disassemble the camera yourself. (We shall not be responsible for any problems caused by unauthorized repair or maintenance.)
- Keep away from liquid while use.
- In the use of the product, you must be strict compliance with the electrical safety regulations of the nation and region. When the product is mounted on wall, the device shall be firmly fixed.
- Do not use camera beyond specified voltage range.
- Do not drop the camera or subject it to physical shock.
- Avoid touching the camera lens.
- If cleaning is necessary, please use clean cloth to wipe it gently.
- Do not aim the camera at the sun or extra bright place.
- Do not place the camera in extremely hot, cold, dusty or damp locations, and do not expose it to high electromagnetic radiation.
- To avoid heat accumulation, good ventilation is required for operating environment.

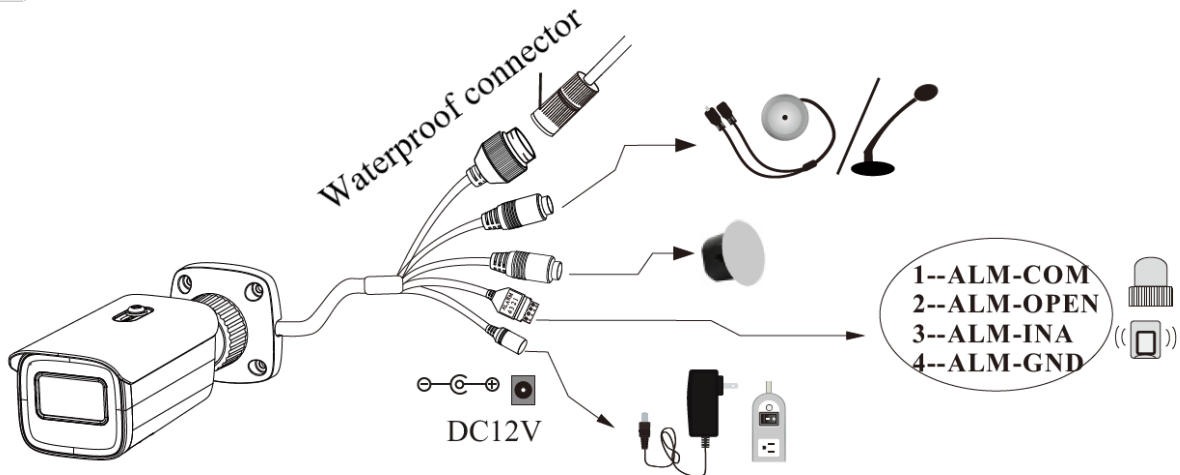
# Contents

<b>1. Overview</b>	<b>1</b>
1.1 GV-GBL4900	1
1.2 GV-GBL4911	4
1.3 GV-GDR4900	7
1.4 GV-GEB4900	10
1.5 GV-GEBF4911	12
1.6 GV-GVD4910	14
<b>2. Installation</b>	<b>19</b>
2.1 GV-GBL4900	19
2.2 GV-GBL4911	21
2.3 GV-GDR4900	24
2.4 GV-GEB4900	27
2.5 GV-GEBF4911	31
2.6 GV-GVD4910	35
<b>3. Accessing the Network Camera</b>	<b>19</b>
3.1 Looking Up the Dynamic IP Address	19
3.2 Configuring the IP Address	21
<b>4. The Web Interface</b>	<b>22</b>
<b>5. Upgrading System Firmware</b>	<b>24</b>
<b>6. Restoring to Factory Default</b>	<b>25</b>
<b>7. Connecting to GV-Cloud VMS</b>	<b>27</b>
<b>8. Connecting to GV-Center V2</b>	<b>30</b>
<b>9. Optional Installation</b>	<b>31</b>
9.1 Wall Mount Bracket GV-Mount211-4	31
9.2 Wall Mount Bracket GV-Mount211-6	35
9.3 Wall Mount Bracket GV-Mount211-8	39
9.4 Wall Mount Bracket GV-Mount211-9	43
9.5 Junction Box GV-Mount506	48
9.6 Junction Box GV-Mount506-1	52
9.7 Junction Box GV-Mount507	55
9.8 Junction Box GV-Mount507-1	59
9.9 Junction Box GV-Mount509	62
9.10 Junction Box GV-Mount510	65
9.11 In-Ceiling Mounting Bracket GV-Mount925	67

# 1. Overview

## 1.1 GV-GBL4900





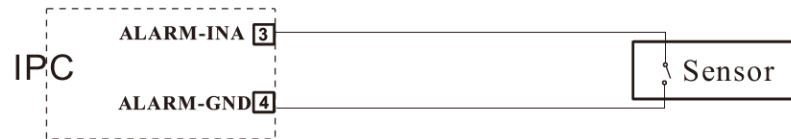
1	Adjusting ring	7	Power connector (DC 12V)
2	Mounting base	8	Micro SD card slot
3	Ethernet connector (PoE)	9	Default button
4	MIC-Audio input connector	10	Microphone
5	HP-Audio output connector	11	IR LED x 2
6	Alarm input/output		

**Note:**

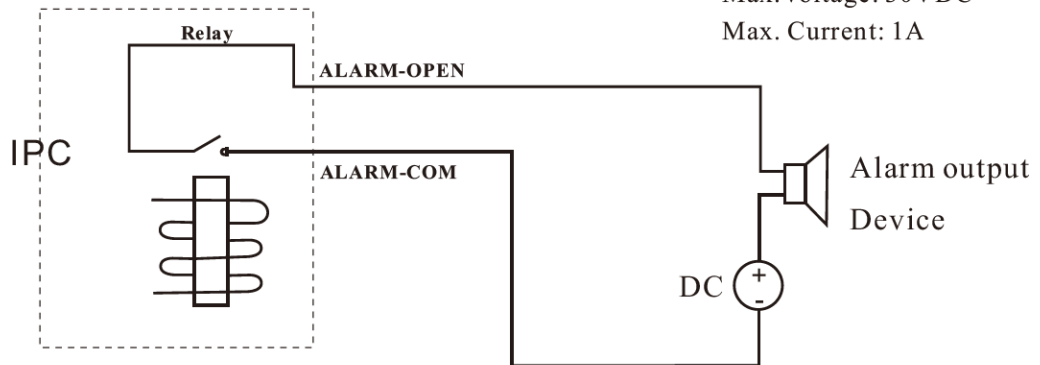
1. It is recommended to install the waterproof connector for outdoor installation.
2. This series can be powered by DC 12V / PoE power supply. If the PoE switch is used to power the camera, DC 12V power supply is not required.
3. To load default settings, press and hold the default button for 10 seconds.

## Connecting Alarm Input / Output

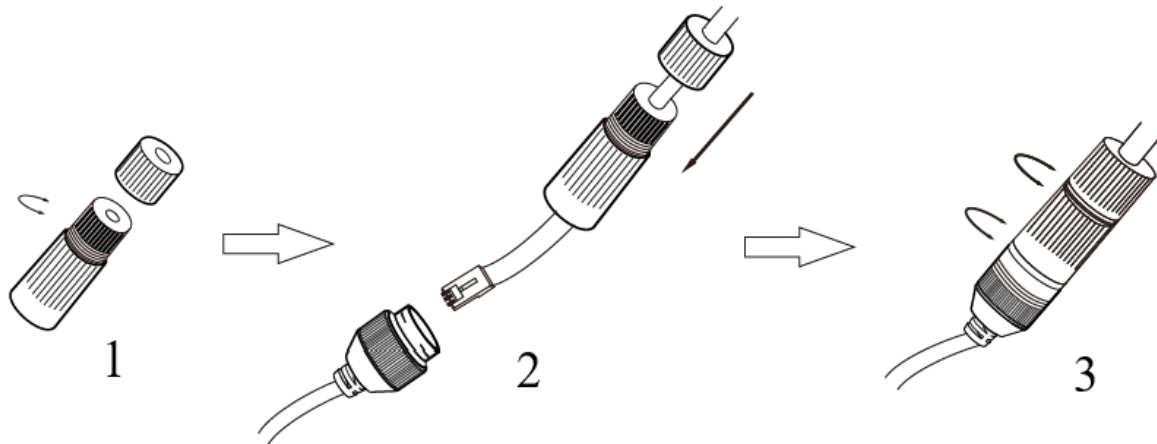
### Alarm Input



### Alarm Output



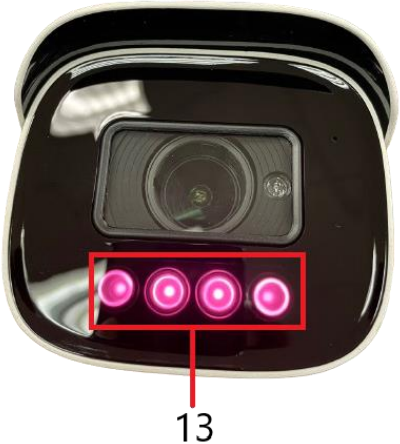
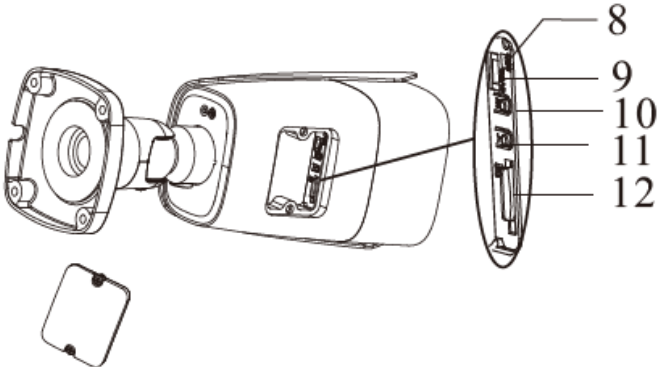
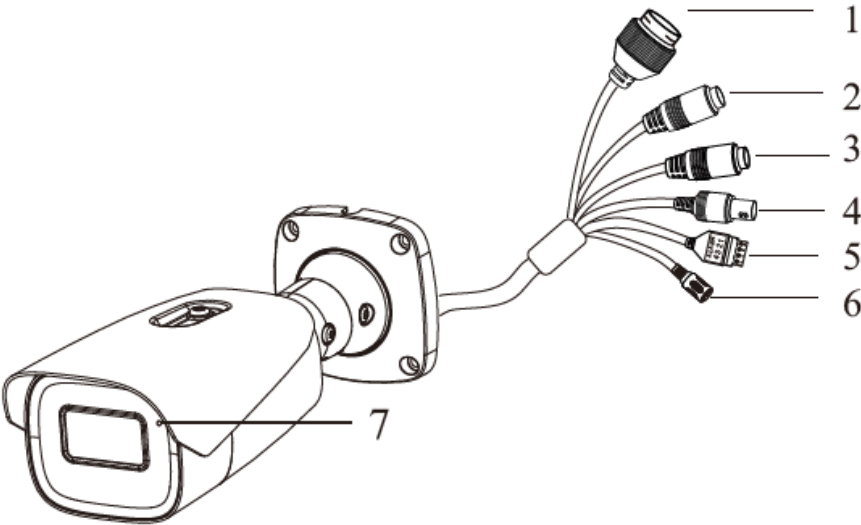
## Connecting Network Cable



1. Loosen the nut from the main element.
2. Run the network cable (without RJ 45 connector) through the both elements. Then crimp the cable with RJ 45 connector.
3. Connect the cable to the Ethernet connector. Then tighten the nut and the main cover.



# 1.2 GV-GBL4911





1	Ethernet connector (PoE)	8	Default button
2	MIC-Audio input connector	9	DC IN & CVBS Interface
3	HP-Audio output connector	10	Zoom -
4	CVBS Video Output	11	Zoom +
5	Alarm input/output	12	Micro SD card slot
6	Power connector (DC 12V)	13	IR LED x 4 (the 2 LED lights in the middle will be on at long shots)
7	Microphone		

**Note:**

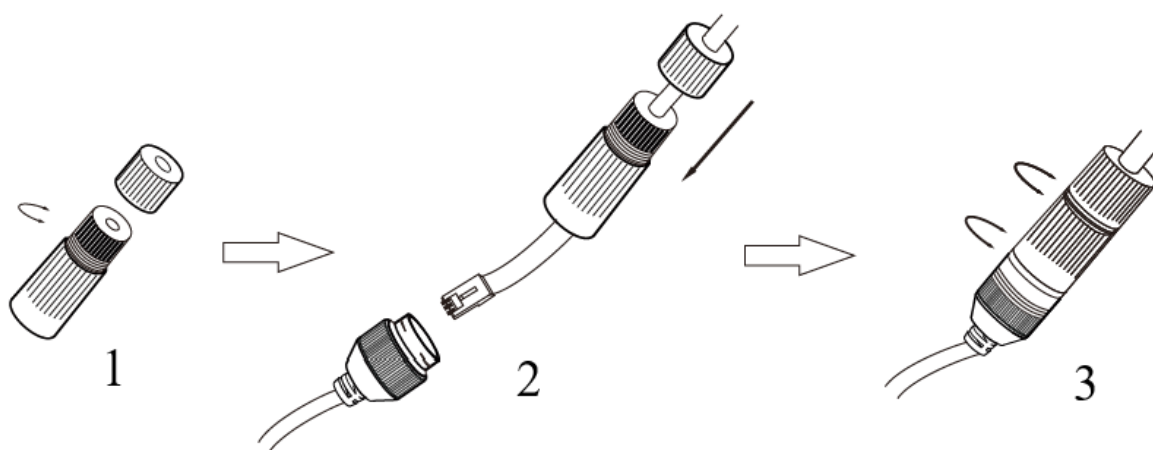
1. It is recommended to install the waterproof connector for outdoor installation.
2. This series can be powered by DC 12V / PoE power supply. If the PoE switch is used to power the camera, DC 12V power supply is not required.
3. To load default settings, press and hold the default button for 10 seconds.

**Alarm Connection**

**Alarm input:** Join the grounding ends of the sensor and the camera and then connect the signal cable of the sensor to the alarm input port of the camera.

**Alarm output:** Loosen the screws in the alarm output port. Then insert the signal wires of the alarm output devices into the port of COM and OPEN separately. Finally tighten the screws. Some of the external alarm output devices need the power supply.

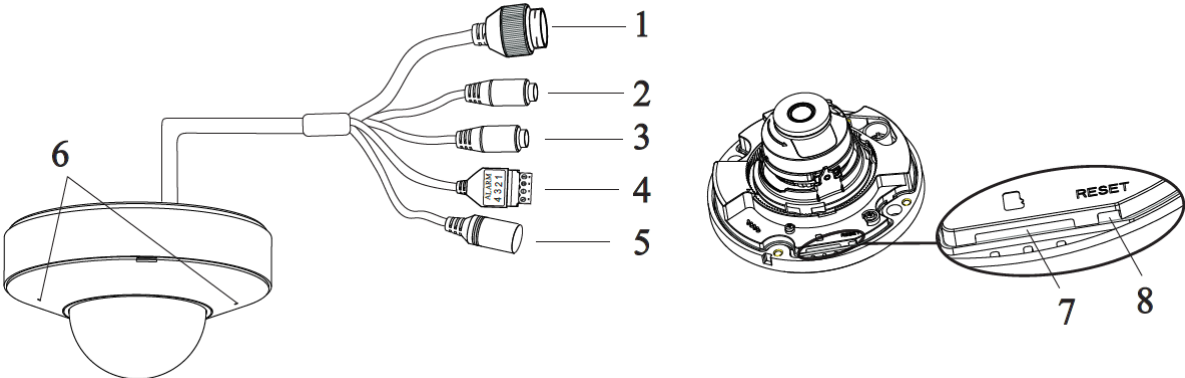
**Connecting Network Cable**

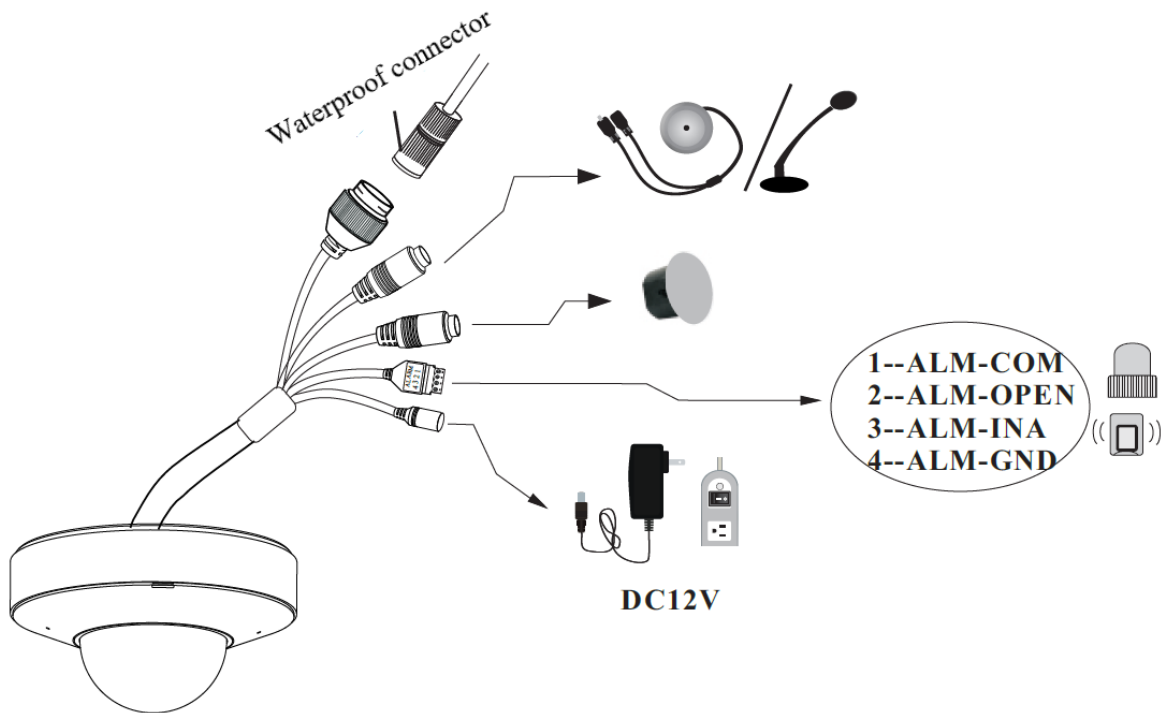


1. Loosen the nut from the main element.

2. Run the network cable (without RJ 45 connector) through the both elements. Then crimp the cable with RJ 45 connector.
3. Connect the cable to the Ethernet connector. Then tighten the nut and the main cover.

### 1.3 GV-GDR4900





1	Ethernet connector (PoE)	6	Microphone
2	MIC-Audio input connector	7	Micro SD card slot
3	HP-Audio output connector	8	Default button
4	Alarm input/output	9	IR LED x 2
5	Power connector (DC 12V)		

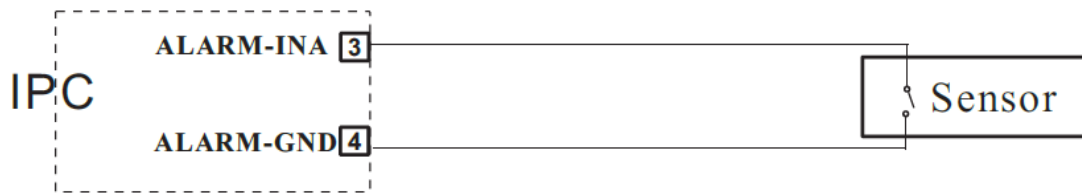
---

**Note:**

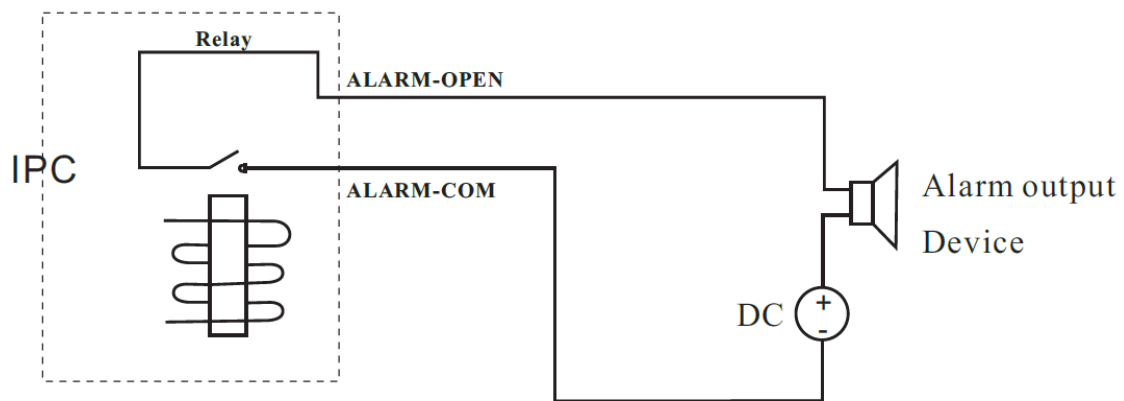
1. It is recommended to install the waterproof connector for outdoor installation.
  2. This series can be powered by DC 12V / PoE power supply. If the PoE switch is used to power the camera, DC 12V power supply is not required.
  3. To load default settings, press and hold the default button for 10 seconds.
  4. Make sure the camera's lower dome is properly secured in case of microphone operation failure.
-

## Connecting Alarm Input / Output

### Alarm Input



### Alarm Output

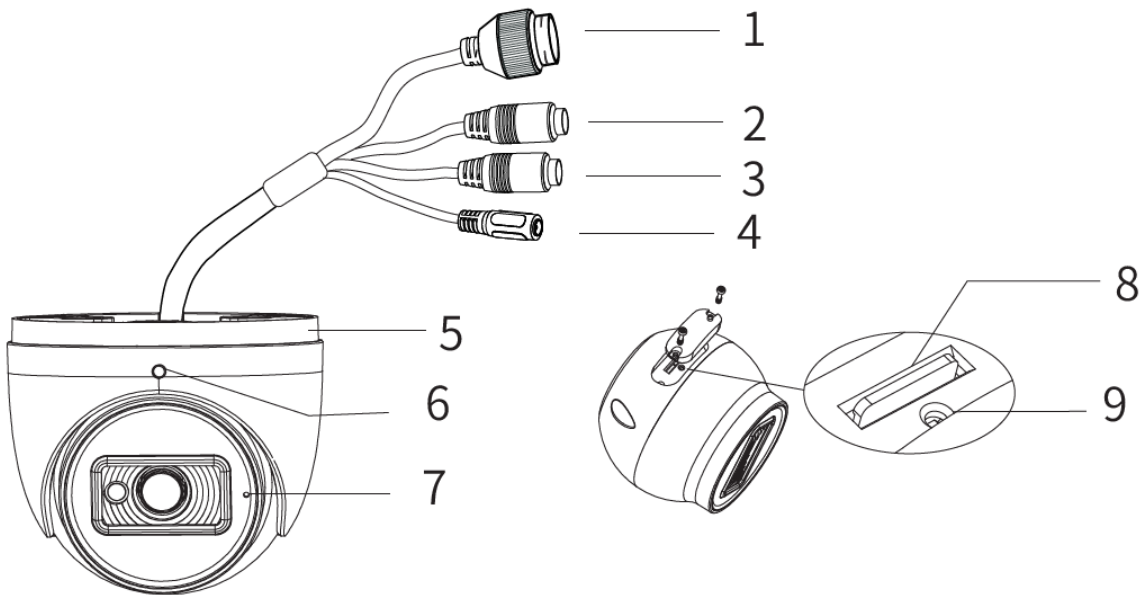


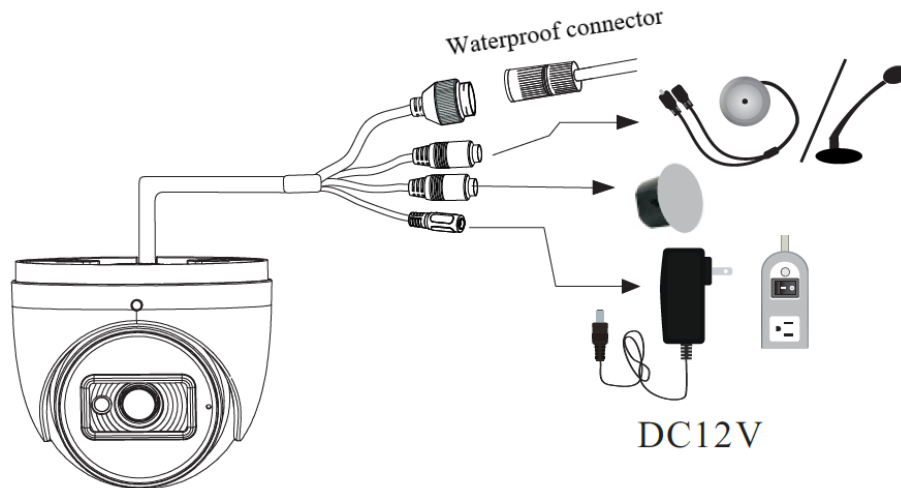
Contact parameters of Relay:

Max. Voltage: DC 30V

Max. Current: 1A

# 1.4 GV-GEB4900





1	Ethernet connector (PoE)	6	Fixed Screw
2	MIC-Audio input connector	7	Microphone
3	HP-Audio output connector	8	Micro SD card slot
4	Power connector (DC 12V)	9	Default button
5	Mounting Base	10	IR LED

---

**Note:**

1. It is recommended to install the waterproof connector for outdoor installation.
  2. This series can be powered by DC 12V / PoE power supply. If the PoE switch is used to power the camera, DC 12V power supply is not required.
  3. To load default settings, press and hold the default button for 10 seconds.
-



## 1.5 GV-GEBF4911



1	Ethernet connector (PoE)	7	Microphone
2	Audio input	8	Micro SD card slot
3	Audio output	9	Default button
4	Alarm input/output	10	Warm LED
5	Power port (DC 12V)	11	IR LED
6	Speaker	12	Active Deterrence LED

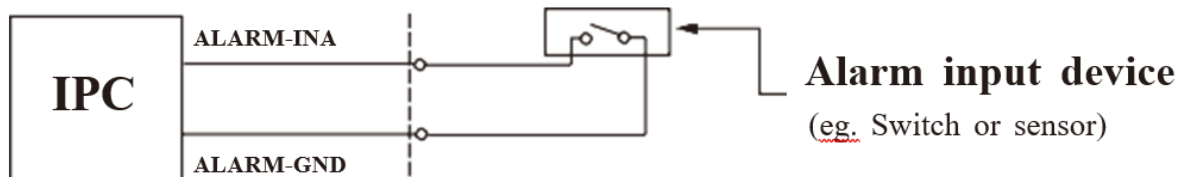
---

**Note:**

1. It is recommended to install the water-proof connector for outdoor installation.
  2. To load default settings, press and hold the default button for 10 seconds.
- 

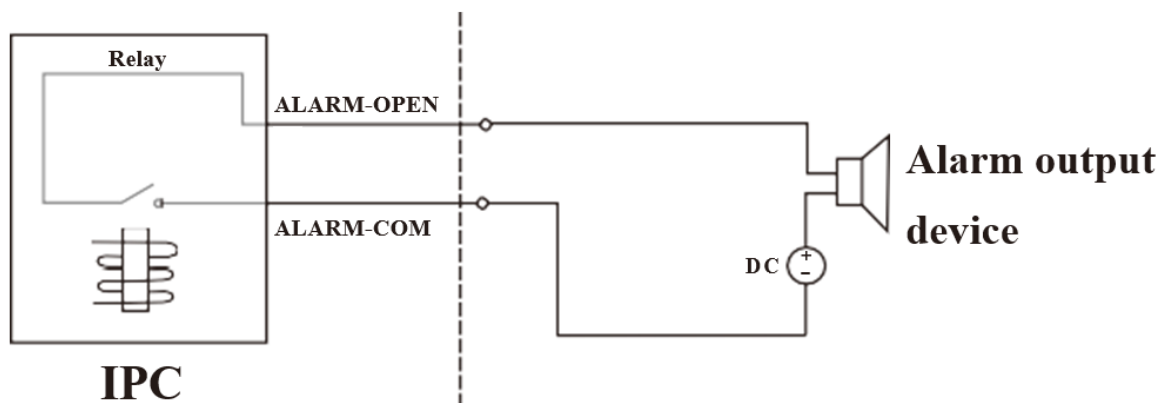
**Connecting Alarm Input/Output**

**Alarm Input**

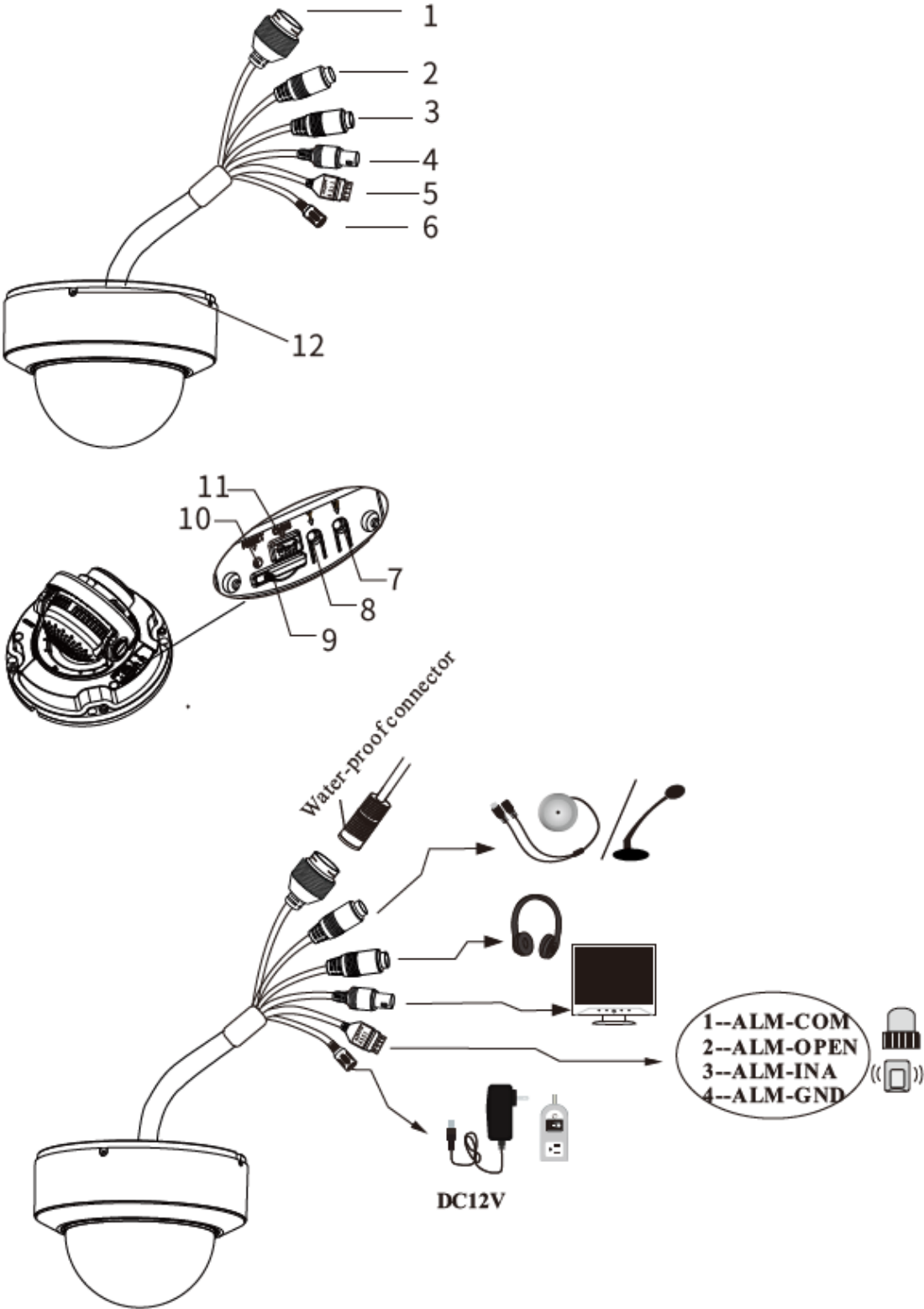


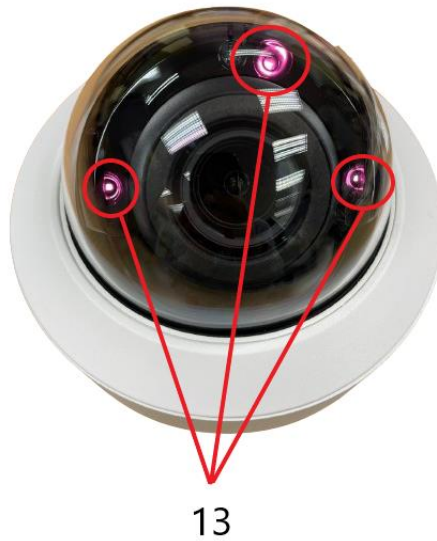
**Alarm Output**

Max. load: DC 30V, 1A



1.6 GV-GVD4910





1	Ethernet connector (PoE)	8	Zoom +
2	MIC-Audio input	9	Micro SD card slot
3	HP-Audio output	10	Default button
4	CVBS Video Output	11	DC IN & CVBS Interface
5	Alarm input/output	12	Microphone
6	Power port (DC 12V)	13	IR LED x 3 (the third LED light will be on at long shots)
7	Zoom -		

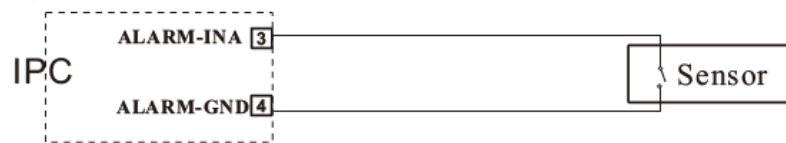
---

**Note:**

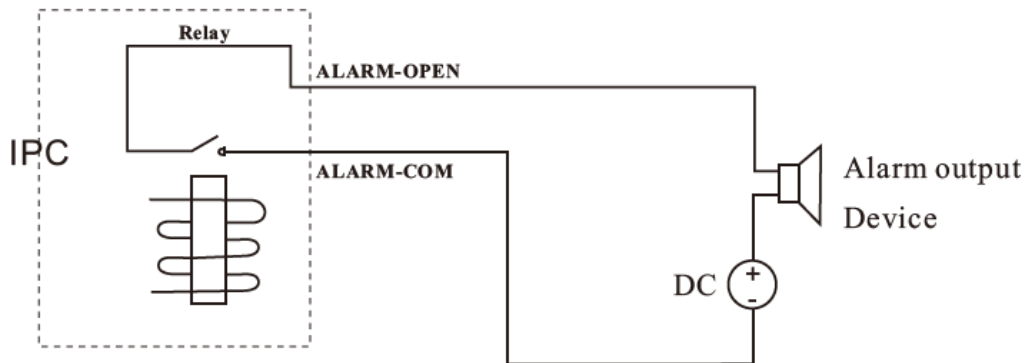
1. It is recommended to install the water-proof connector for outdoor installation.
  2. To load default settings, press and hold the default button for 10 seconds.
-

## Connecting Alarm Input / Output

### Alarm Input



### Alarm Output



Contact parameters of Relay:

Contact Load: resistive: 1A 125V AC / 24V DC

Max. Voltage: 30V DC / 125V AC

Max. Current: 1A

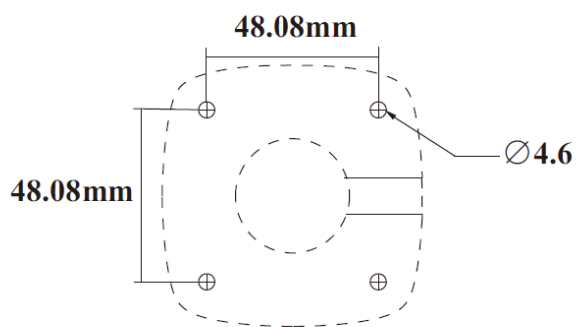
Min. Current & Voltage: 10mA, 5V DC

## 2. Installation

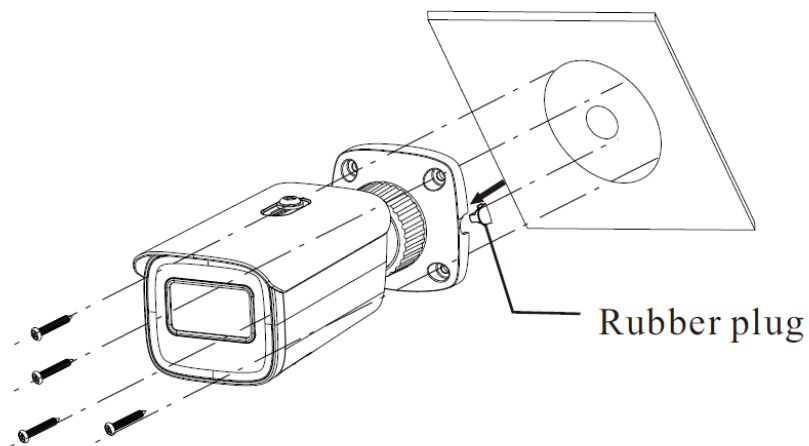
### 2.1 GV-GBL4900

Please make sure that the wall or ceiling is strong enough to withstand 3 times the weight of the camera. Please install the camera under a dry environment.

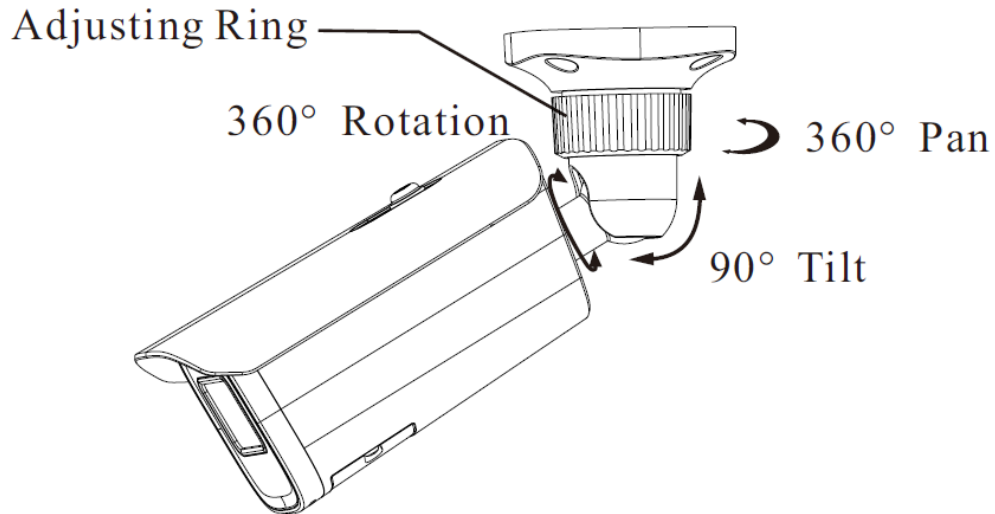
1. Drill the screw holes and the cable hole on the wall according to the drill template.



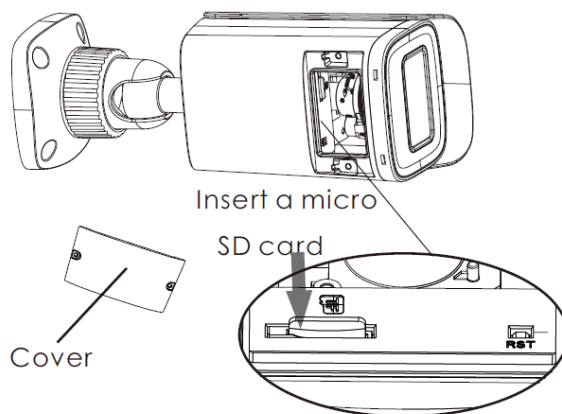
2. Route and connect the cables.
3. Secure the mounting base with camera to the wall with the screws provided.



4. Bracket adjustment. Before adjustment, preview the image of the camera on a monitor and then loosen the adjusting ring to adjust the viewing angle of the camera. Tighten the adjusting ring after the adjustment.



5. Open the cover of the camera and then insert a micro-SD card.



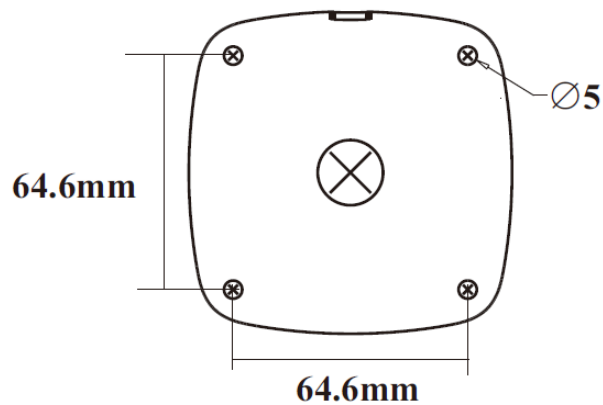
6. Install the cover back to the camera and secure it firmly with the screws. (Note that the cover should not be installed unevenly.)



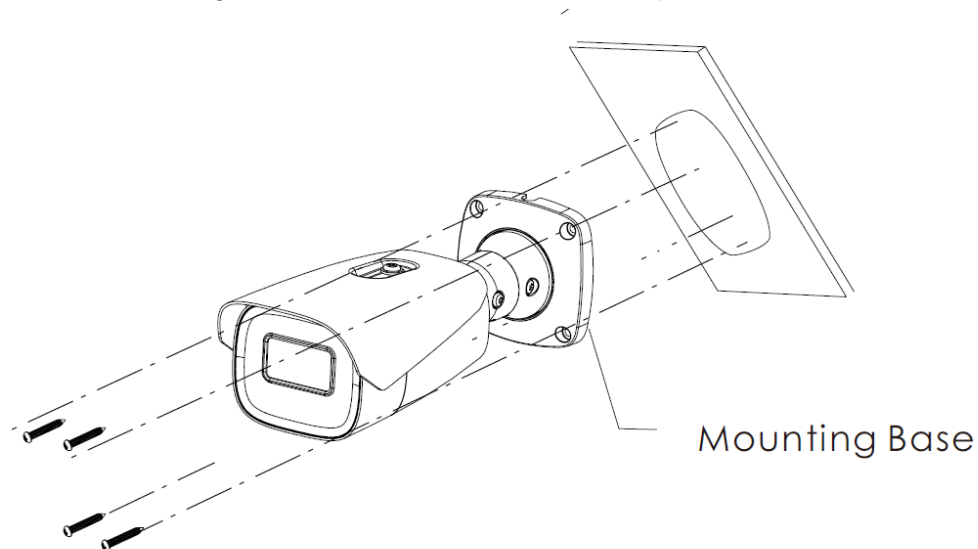
## 2.2 GV-GBL4911

Please make sure that the wall or ceiling is strong enough to withstand 3 times the weight of the camera. Please install the camera in a dry environment. You'd better install back the cover of the camera less than 4 hours after removing it.

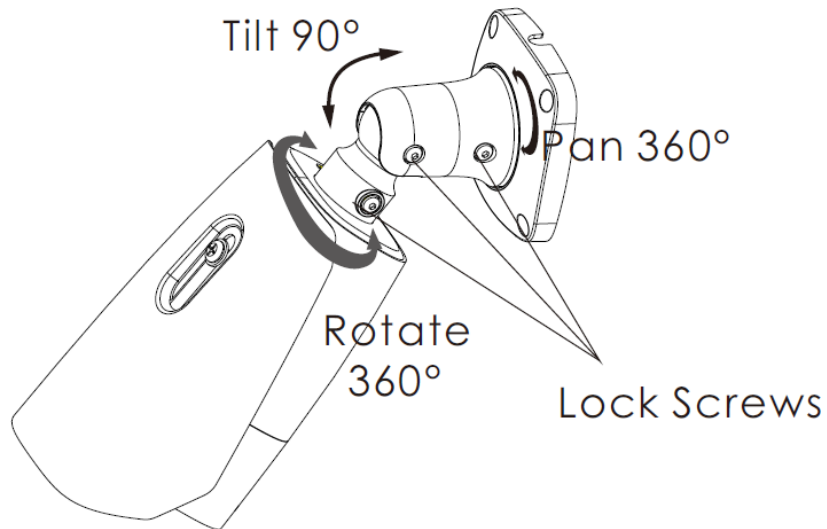
1. Drill the screw holes and the cable hole (if you want to route through the ceiling) on the wall or ceiling according to the drill template.



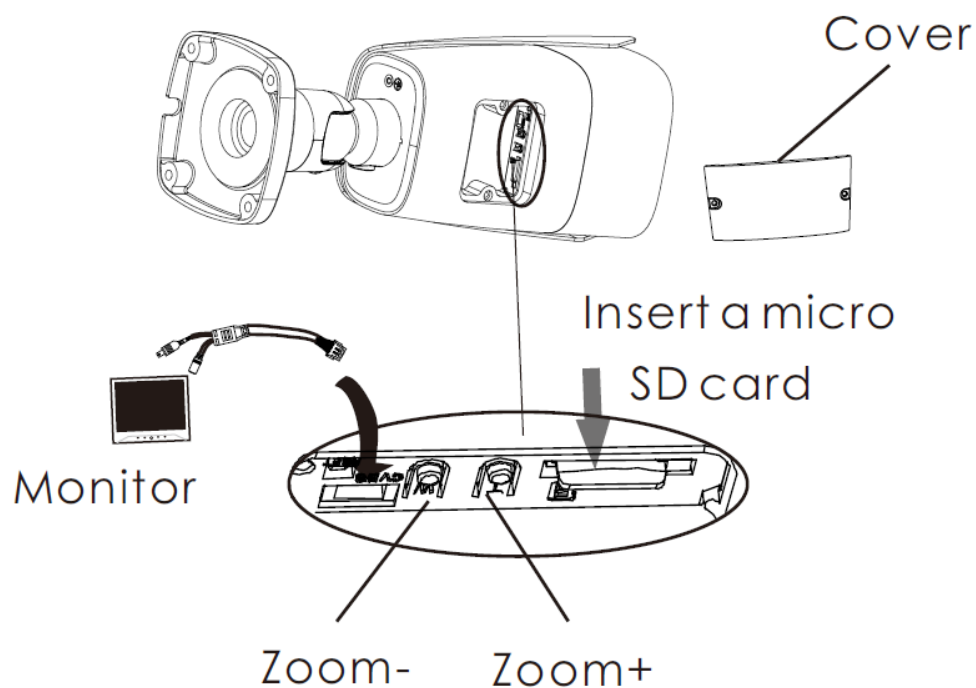
2. Route the cables and connect the relevant cables.
3. Fasten the mounting base to the wall with the screws provided.



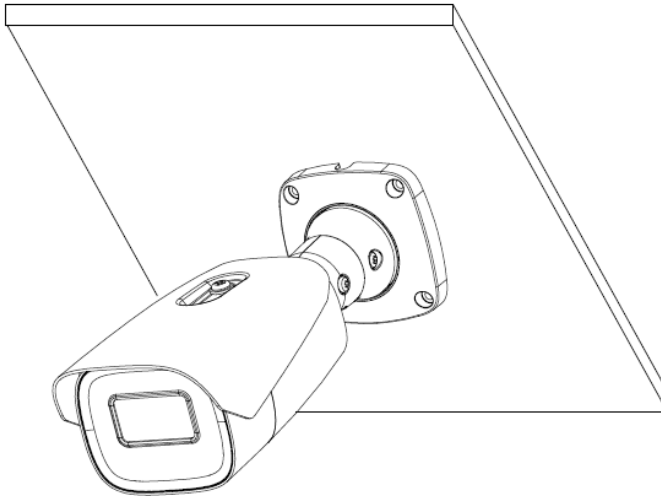
4. Bracket adjustment. Before adjustment, preview the image of the camera on a monitor (see the figure of step 5) and then loosen the lock screws to adjust the view angle of the camera. After that, tighten the lock screws.



5. Open the cover of the camera as shown in the following figure and then insert a micro-SD card. After that, press the T or W button to obtain an optimum image. Before adjustment, view the image of the camera on a monitor.



6. Install the cover back to the camera and secure it firmly with the screws.



---

**Note:** Please install the cover back in the same way you disassemble it, in case the sealing performance is affected.

---

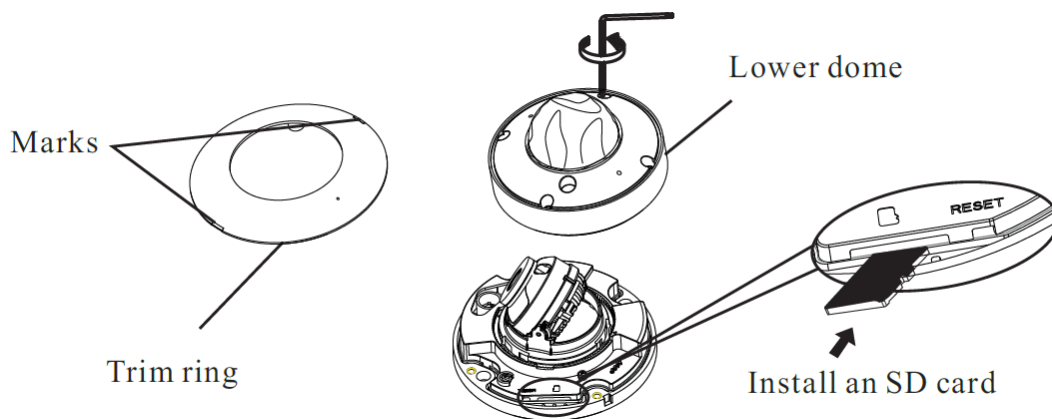
## 2.3 GV-GDR4900

---

**Note:**

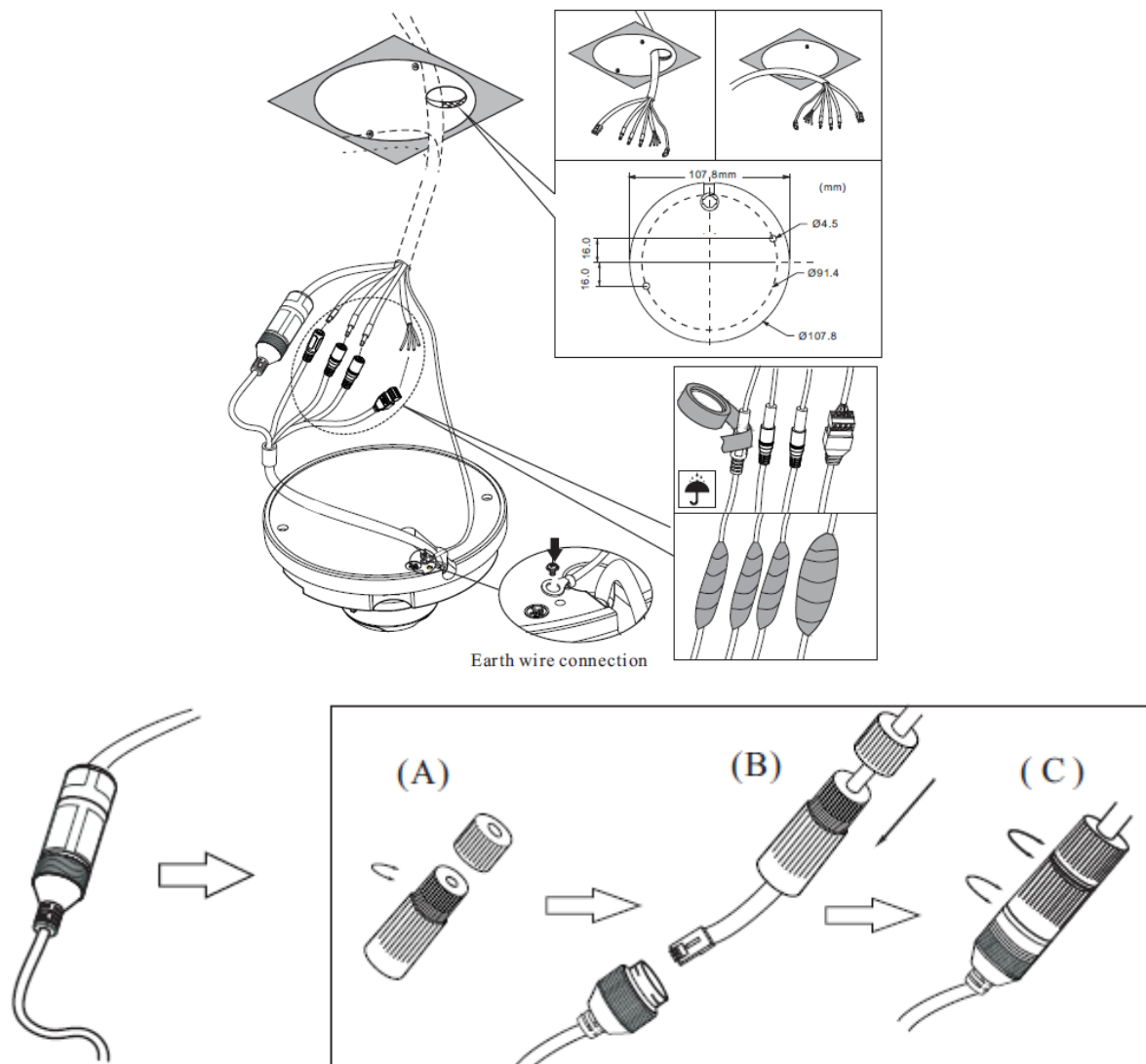
1. Make sure that the wall or ceiling is strong enough to withstand 3 times the weight of the camera.
  2. You should reinstall the lower dome in less than 4 hours of its removal.
  3. Do not remove the protection film until finishing the installation.
- 

1. Use two fingers to remove the trim ring from the rim with marks. Then loosen the screws to open the lower dome.



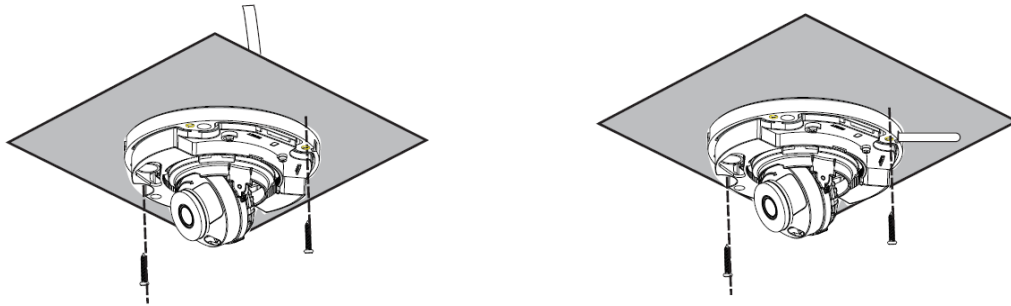
2. Attach the drill template to the place where you want to fix the camera and then drill 2 screw holes and 1 cable hole (if you want to route the cables through the ceiling) according to the drill template.

3. Route and connect these cables.

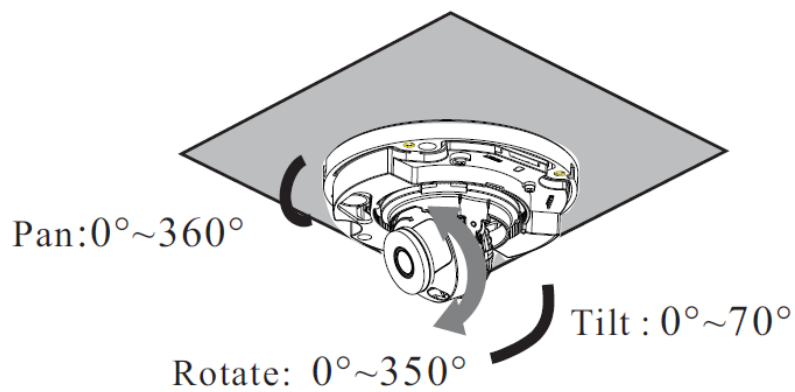


- (A) Loosen the nut from the main element.
- (B) Run the network cable (without RJ 45 connector) through the both elements. Then crimp the cable with RJ 45 connector.
- (C) Connect the cable to the Ethernet connector. Then tighten the nut and the main cover.

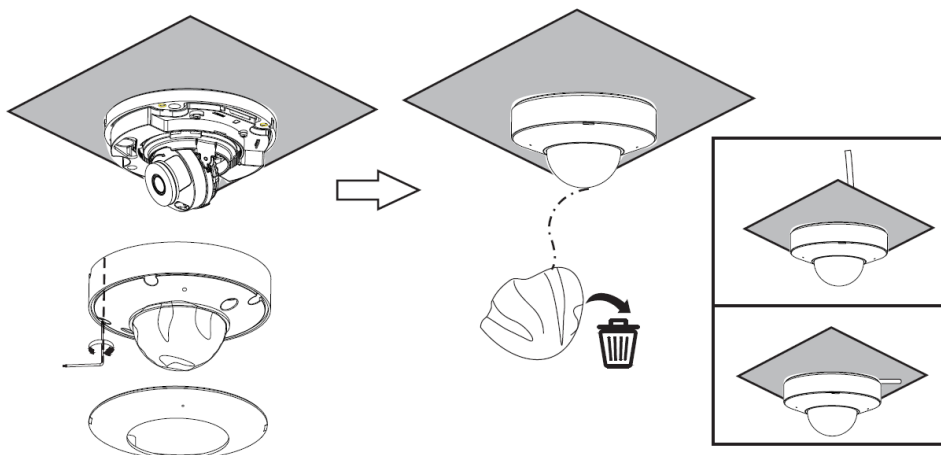
- Secure the camera to the ceiling or wall with the screws provided.



- Three-axis adjustment. Before adjustment, preview the image of the camera on a monitor and then adjust the camera according to the figure below to get an optimum angle.



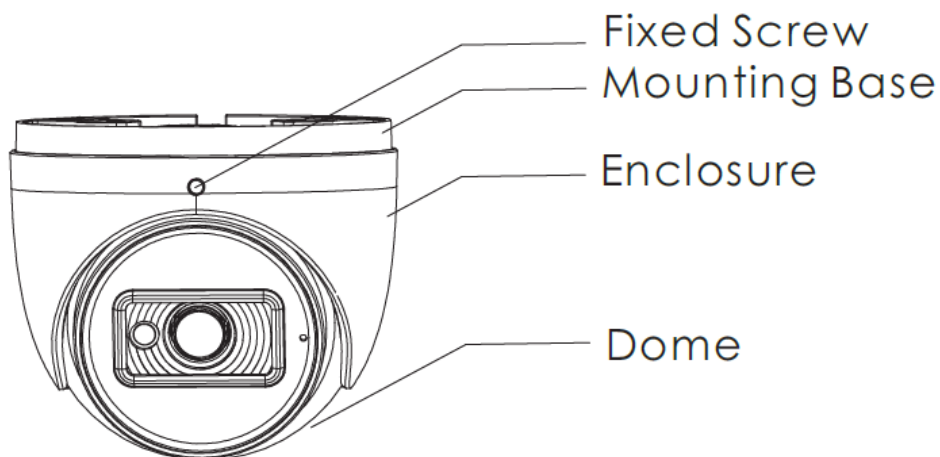
- Replace the lower dome to the camera and make sure the light sensor can be seen from the outside. If the light sensor is hidden, please re-adjust the lens. Then put the trim ring onto the lower dome. Finally, remove the protection film softly.



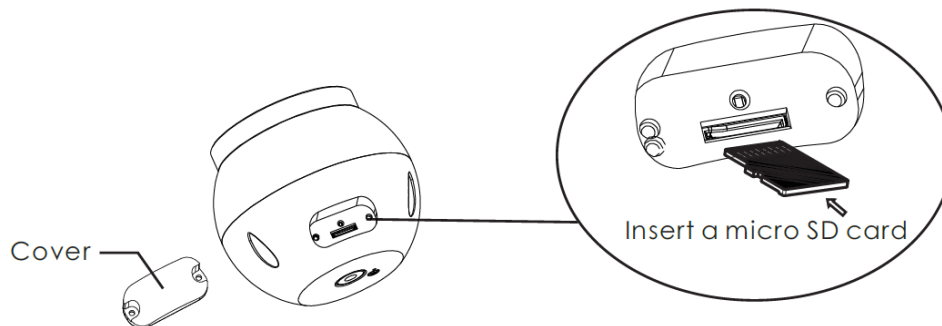
## 2.4 GV-GEB4900

Please make sure that the wall or ceiling is strong enough to withstand 3 times the weight of the camera. Please install and use the camera in a dry environment.

1. Loosen the fixed screw to disassemble the camera.

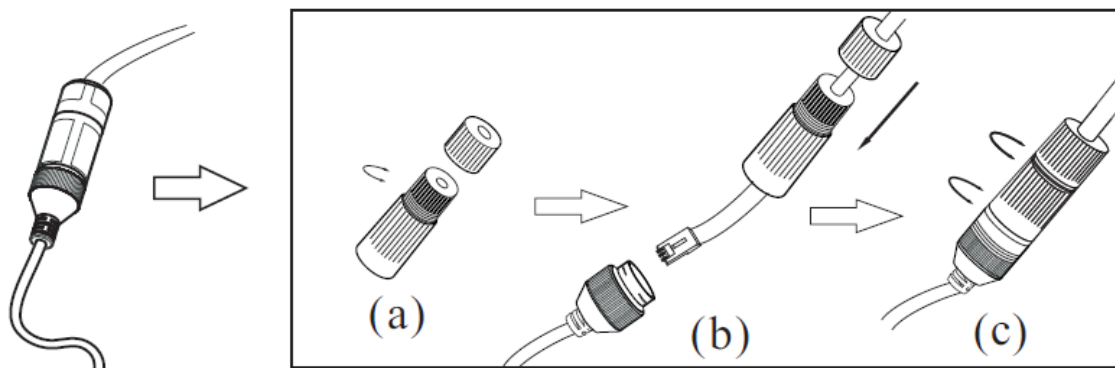
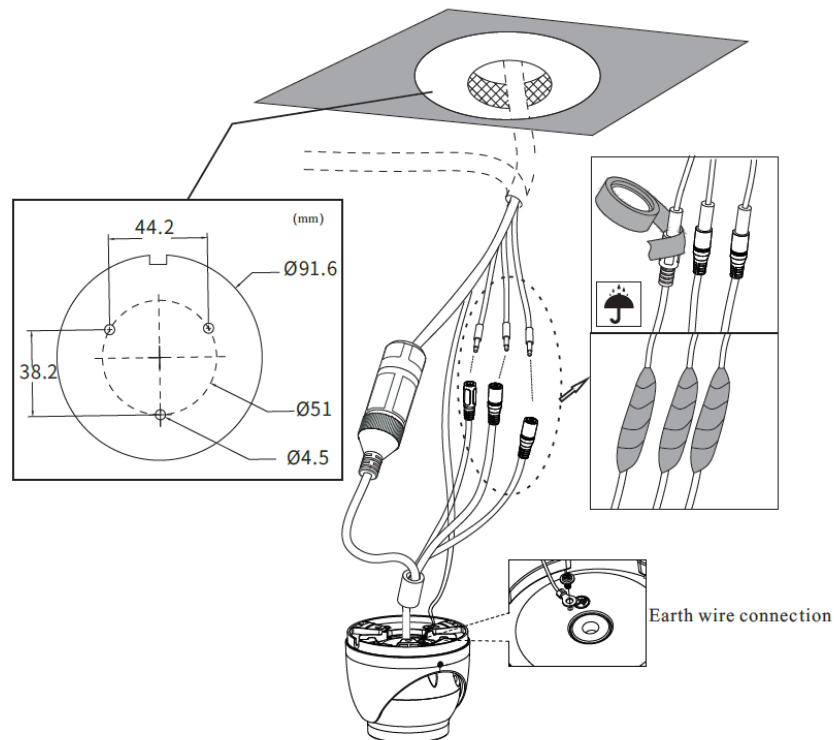


2. Unscrew the cover of the dome and then insert a micro SD card. After that, install back the cover and make sure the cover is installed firmly.



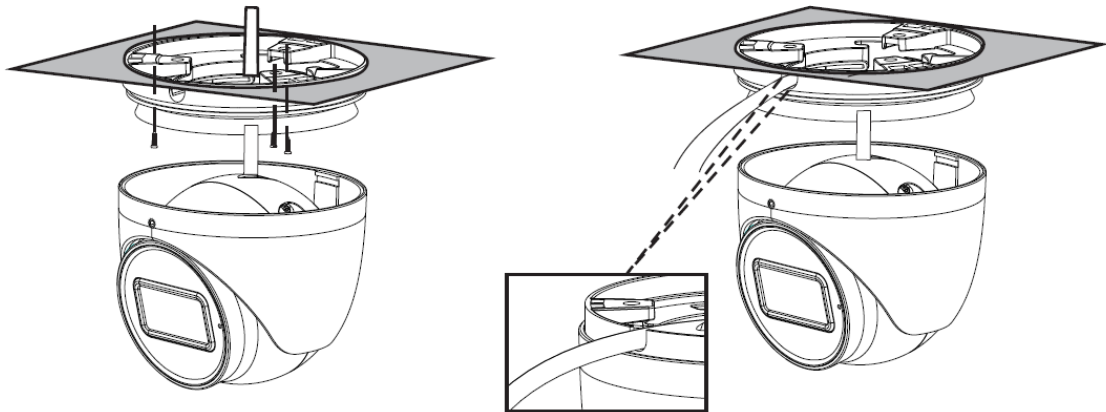


3. Drill the screw holes and the cable hole on the ceiling according to the drill template. Then route and connect the cables.

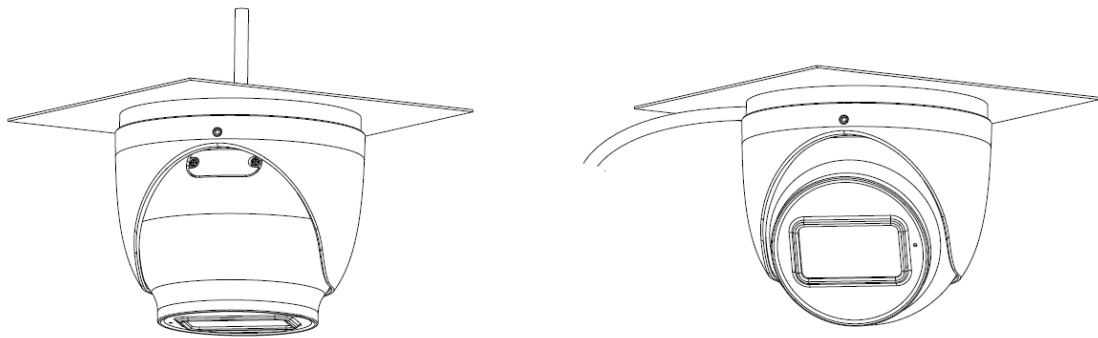


- (a) Loosen the nut from the main element.
- (b) Run the network cable (without RJ 45 connector) through the both elements. Then crimp the cable with RJ 45 connector.
- (c) Connect the cable to the hermetic connector. Then tighten the nut and the main cover.

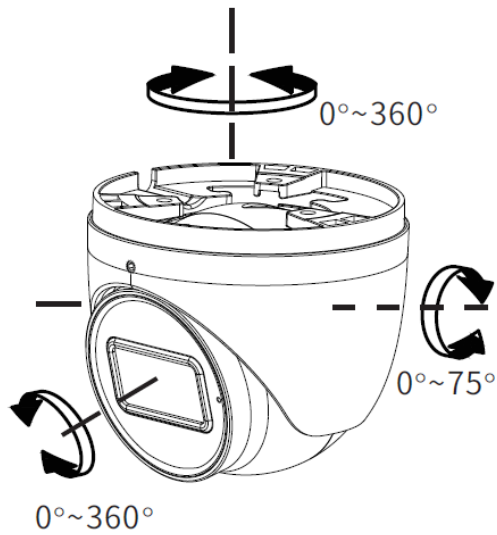
- Secure the mounting base to the ceiling or wall with the screws provided.



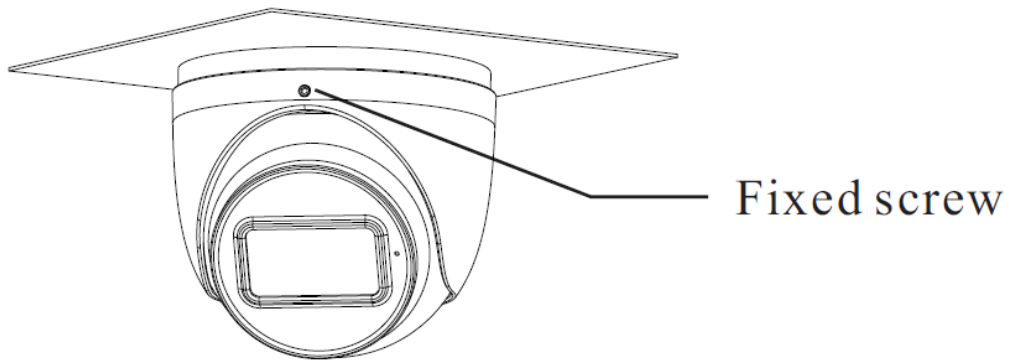
- Install the dome and enclosure to the mounting base.



Then adjust the dome to obtain an optimum viewing angle.



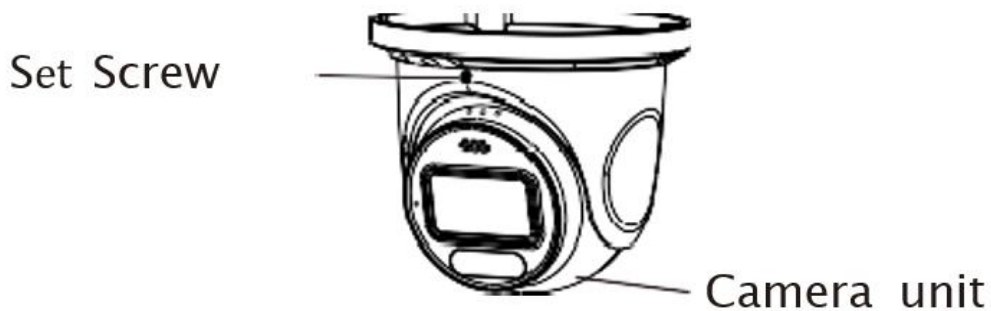
6. Finally, fasten the camera with the fixed screw.



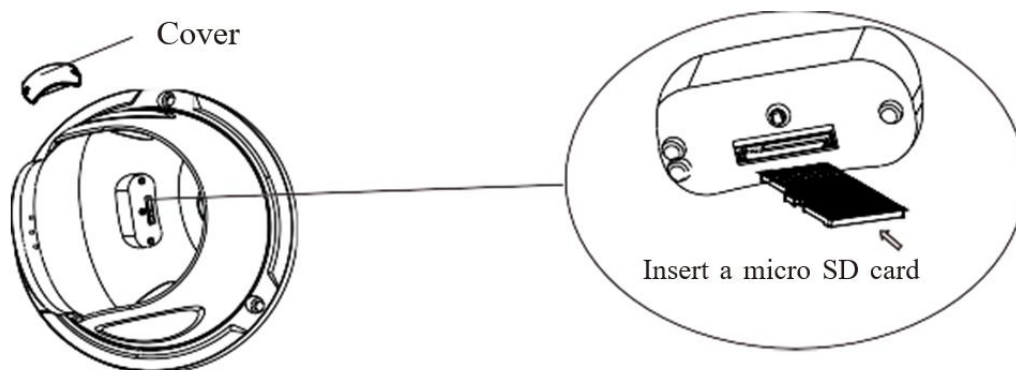
## 2.5 GV-GEBF4911

Please make sure that the wall or ceiling is strong enough to withstand 3 times the weight of the camera. Please install and use the camera in a dry environment.

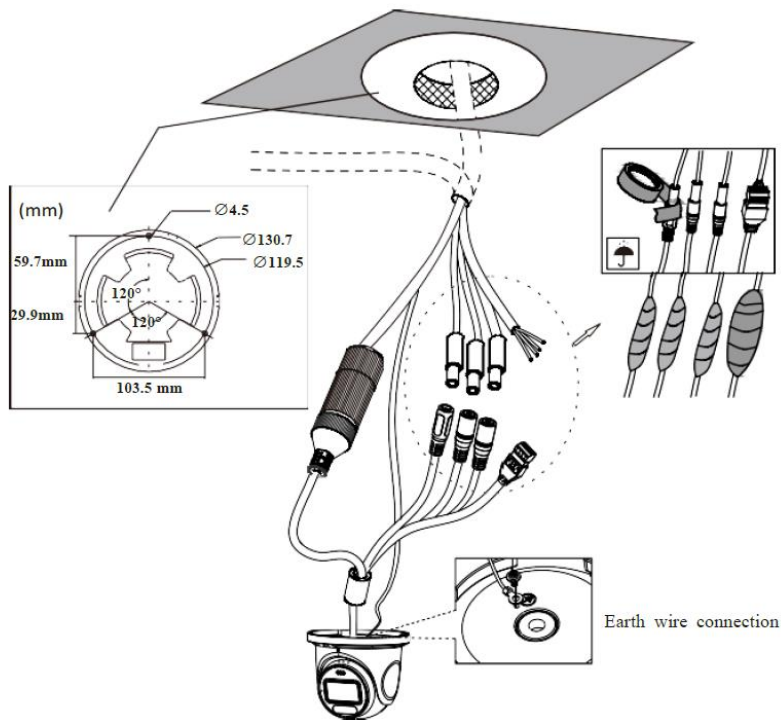
1. Loosen the set screw and then move the camera unit to expose the cover of the SD card slot.



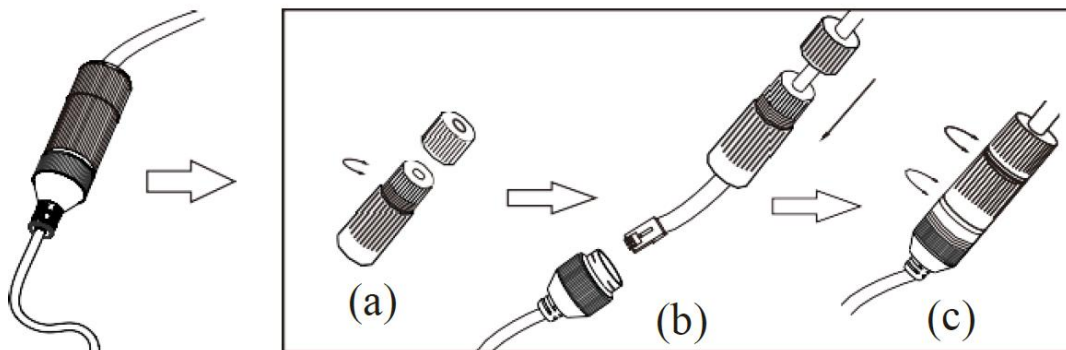
2. Unscrew the cover of the camera unit and then insert a micro SD card. After that, install back the cover and make sure the cover is installed firmly.



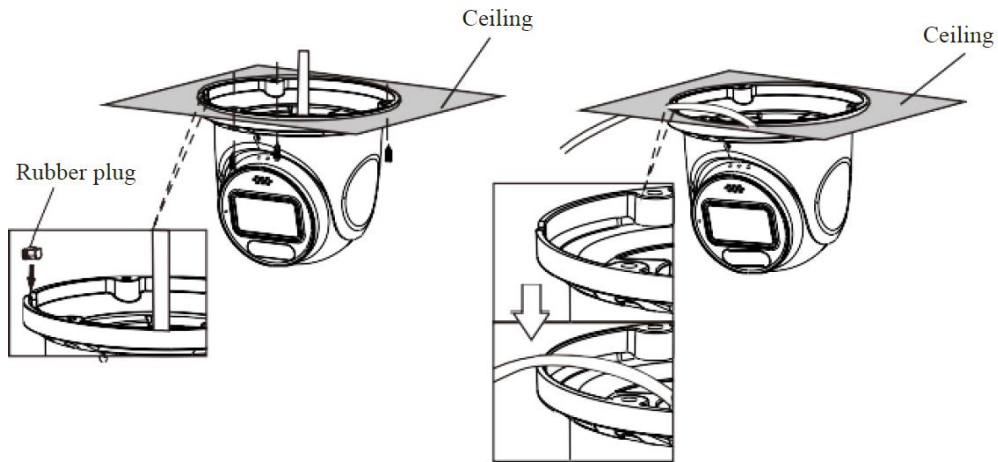
3. Drill the screw holes and the cable hole on the ceiling according to the drill template. Then route and connect the cables.



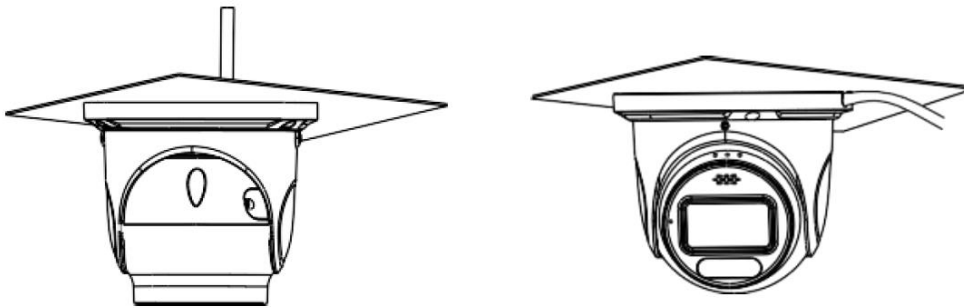
- (a). Loosen the nut from the main element.
- (b). Run the network cable (without RJ 45 connector) through the both elements. Then crimp the cable with RJ 45 connector.
- (c). Connect the cable to the Ethernet connector. Then tighten the nut and the main cover.



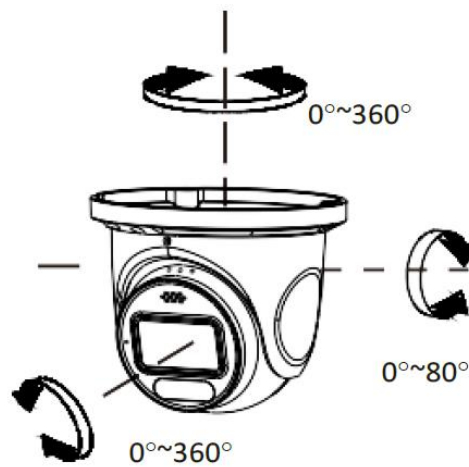
- Secure the mounting base to the ceiling or wall with the screws provided.



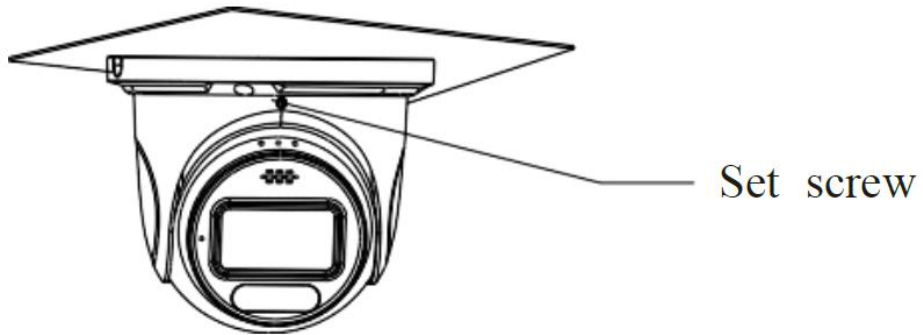
- Install the dome and enclosure to the mounting base.



- Adjust the camera to obtain an optimum angle. Before adjustment, preview the image of the camera on a monitor.



7. Tighten the set screw after you finish adjusting the viewing angle of the camera.





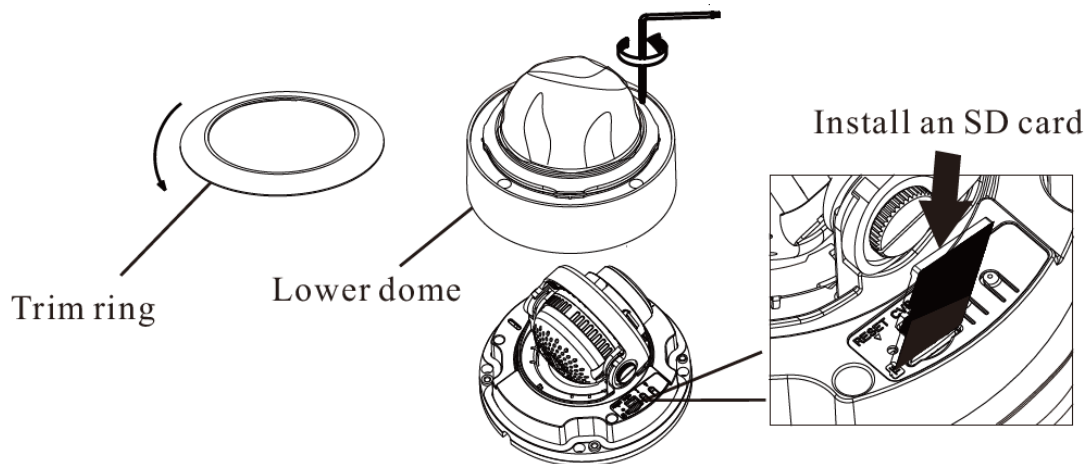
## 2.6 GV-GVD4910

---

**Note:**

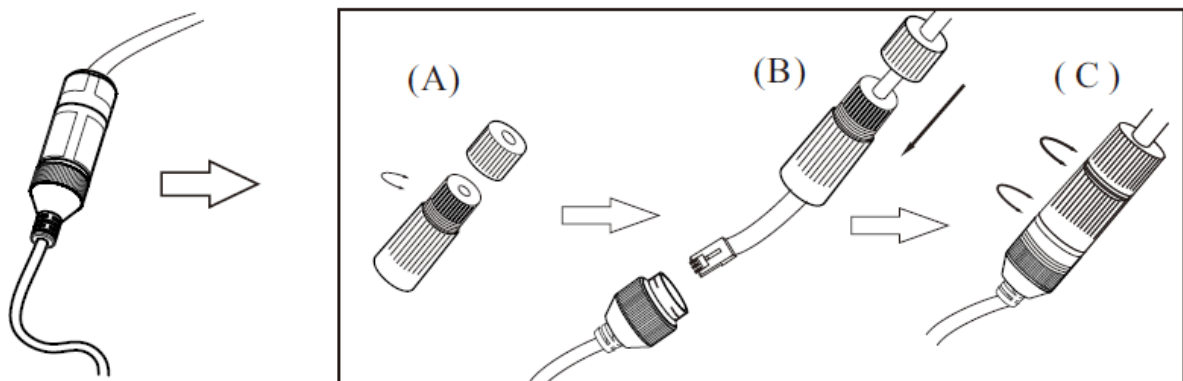
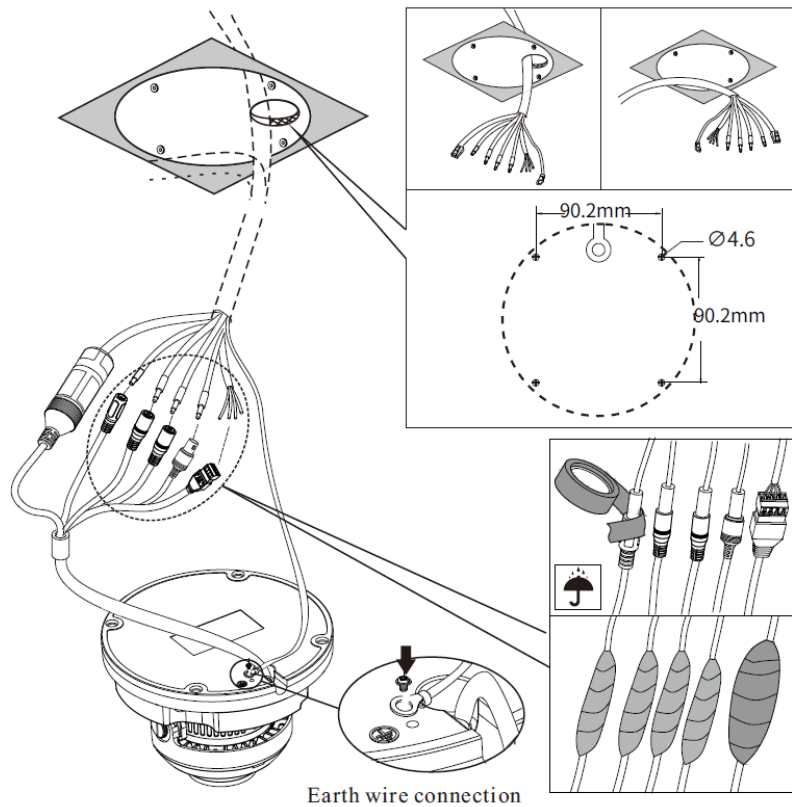
1. Please make sure that the wall or ceiling is strong enough to withstand 3 times the weight of the camera.
  2. Please install the camera in a dry environment. You'd better install back the lower dome less than 4 hours after removing it.
  3. Do not remove the protection film until finishing the installation.
- 

1. Rotate the trim ring anticlockwise to remove it from the camera. Then loosen the screws to open the lower dome.



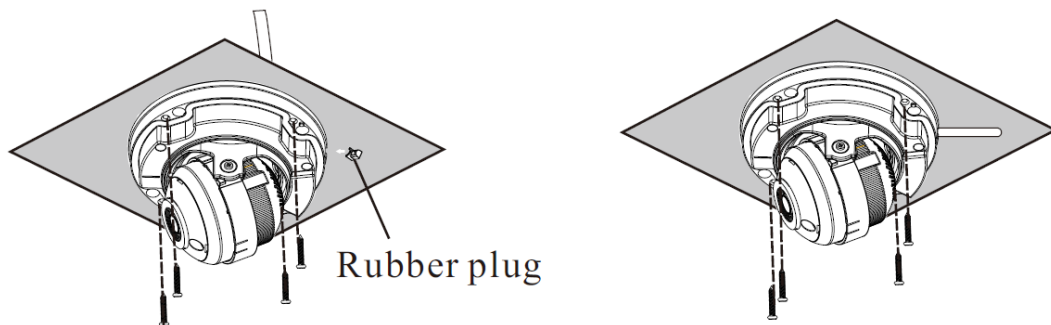
2. Attach the drill template to the place where you want to fix the camera and then drill 4 screw holes and 1 cable hole (if you want to route the cables through the ceiling) according to the drill template.

3. Route and connect these cables.

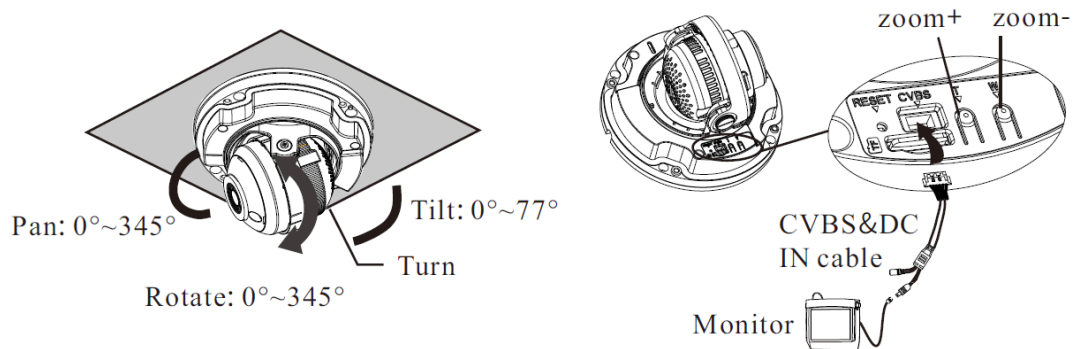


- A. Loosen the nut from the main element.
- B. Run the network cable (without RJ-45 connector) through the both elements. Then crimp the cable with RJ-45 connector.
- C. Connect the cable to the Ethernet connector. Then tighten the nut and the main cover.

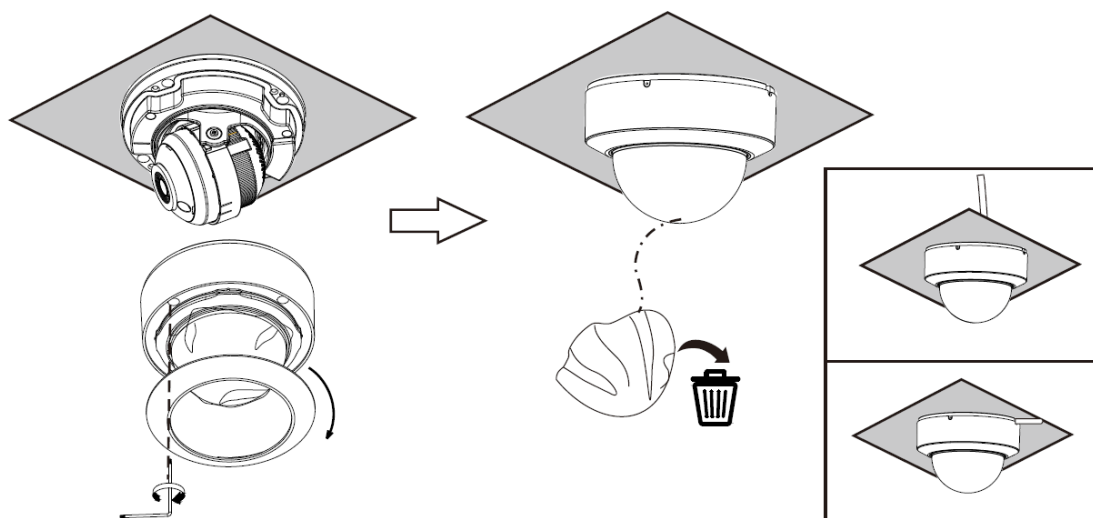
- Secure the camera to the ceiling or wall with the screws provided.



- Three-axis adjustment. Before adjustment, preview the image of the camera on a monitor and then adjust the camera according to the figure below to get an optimum angle.
- Press the T or W button to obtain an optimum image.



- Install the lower dome back to the camera and fasten it with screws. Then put the trim ring onto the lower dome and then rotate it clockwise until it is locked. Finally, remove the protection film softly.




## 3. Accessing the Network Camera

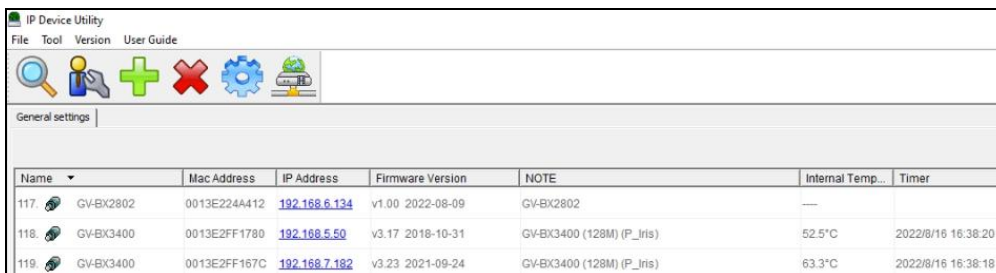
### 3.1 Looking Up the Dynamic IP Address

By default, when the camera is connected to a LAN with the DHCP server, it is automatically assigned with a dynamic IP address. Follow the steps below to look up its IP address.

#### Note:

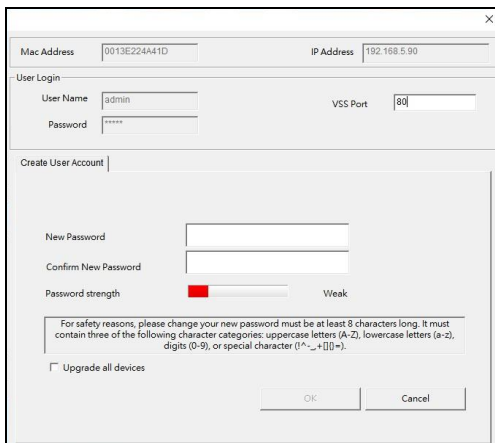
1. By default, the Administrator's username is **admin** and cannot be modified.
2. This function is only applicable on GV-IP Device Utility V8.9.8 or later for **GV-GDR4900 / GEB4900 / GEBF4911**, and V9.0.1 or later for **GV-GBL4900 / GBL4911 / GVD4910**.

1. Make sure the PC used to configure the IP address is under the same LAN as the camera. Download and install **GV-IP Device Utility** from the company [website](#).
2. On the GV-IP Utility window, click the  button to search for the IP devices connected in the same LAN. Click the **Name** or **Mac Address** column to sort.
3. Find the camera with its Mac Address, and click on its IP address.



Name	Mac Address	IP Address	Firmware Version	NOTE	Internal Temp...	Timer
117	GV-BX2802 0013E224A412	<a href="#">192.168.6.134</a>	v1.00 2022-08-09	GV-BX2802	---	
118	GV-BX3400 0013E2FF1780	<a href="#">192.168.5.50</a>	v3.17 2018-10-31	GV-BX3400 (128M) (P_Iris)	52.5°C	2022/8/16 16:38:20
119	GV-BX3400 0013E2FF167C	<a href="#">192.168.7.182</a>	v3.23 2021-09-24	GV-BX3400 (128M) (P_Iris)	63.3°C	2022/8/16 16:38:18

4. For first-time users, you are requested to create a password.



Mac Address: 0013E224A41D      IP Address: 192.168.5.90

User Login

User Name:       VSS Port:

Password:

Create User Account

New Password:

Confirm New Password:

Password strength: ■ Weak

For safety reasons, please change your new password must be at least 8 characters long. It must contain three of the following character categories: uppercase letters (A-Z), lowercase letters (a-z), digits (0-9), or special character (!^\_+[]~).

Upgrade all devices

OK      Cancel

5. Type a new password and click **OK**.
6. Click on its IP address again and select **Webpage** to open its Web interface.
7. Type the set password on the login page and click **Login**.

---

**IMPORTANT:**

1. To change the password using GV-IP Device Utility, click on the camera's IP address, and select Configure > Change Password. Or you can optionally change the password on the camera's Web interface by clicking Config → Security → User ; see "Modify User" in *4.7.1 User Configuration* in the user's manual.
  2. The security questions should be set after you log in. It is very important for you to reset your password when you forget your password. If you forget the admin password, you can reset the password by clicking Forget Password on the login page. For more details, see *4.7.1 User Configuration* in the user's manual.
-

## 3.2 Configuring the IP Address

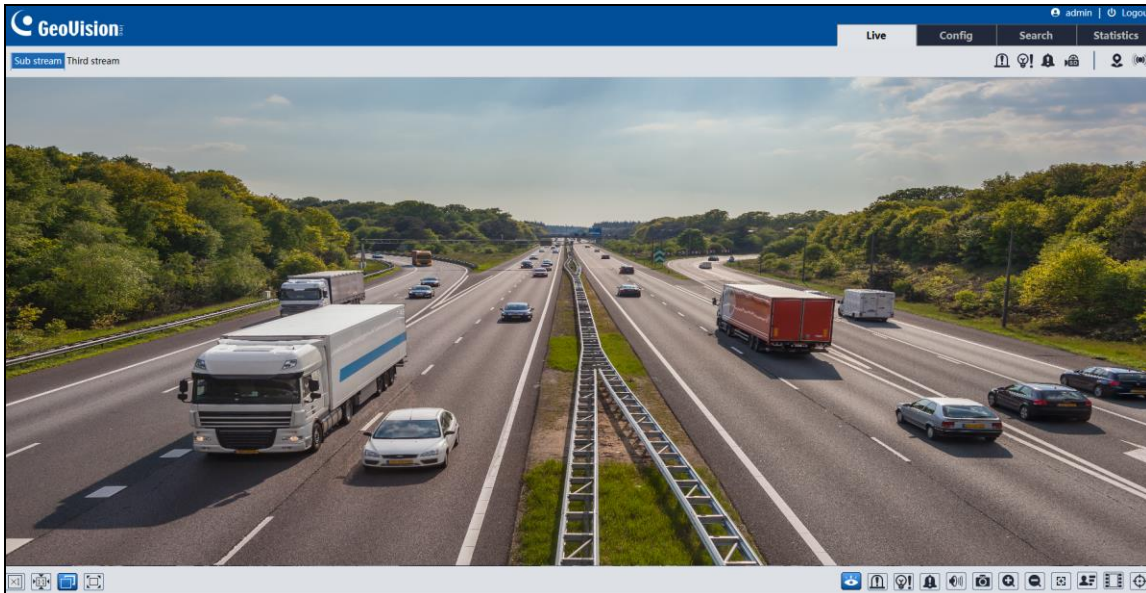
If the camera is connected to a LAN without the DHCP server, the default IP address will be **192.168.0.10**. Follow the steps below to modify the IP address to avoid IP conflict with other GV-IP devices on the same LAN.

1. Open your Web browser, and type the default IP address **192.168.0.10**.
2. Type the default username **admin** and a password. Click **Login**.
3. Go to **Config > Network > TCP/IP** to set the IP address.
4. Select **Use the following IP address** and then enter the static IP address and other parameters.













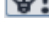















IPv4	IPv6	PPPoE Config	IP Change Notification Config
<input type="radio"/> Obtain an IP address automatically			
<input checked="" type="radio"/> Use the following IP address			
IP Address	<input type="text" value="192.168.226.201"/>	<input type="button" value="Test"/>	
Subnet Mask	<input type="text" value="255.255.255.0"/>		
Gateway	<input type="text" value="192.168.226.1"/>		
Preferred DNS Server	<input type="text" value="210.21.196.6"/>		
Alternate DNS Server	<input type="text" value="8.8.8.8"/>		











## 4. The Web Interface

After logging in, the following window will be shown.



The following table is the instructions of the icons on the live view interface.

Icon	Description	Icon	Description
	Original size		Sensor alarm indicator
	Fit correct scale		Motion alarm indicator
	Adapt		Color abnormal indicator
	Full screen		Abnormal clarity indicator
	Enable/disable alarm output		Scene change indicator
	Enable/disable light alarm (only for <b>GV-GEBF4911</b> )		Alarm output indicator
	Enable/disable audio alarm		Light alarm indicator (only for <b>GV-GEBF4911</b> )
	Start/stop live view		Line Crossing indicator
	Start/stop two-way audio		Region Intrusion indicator
	Enable/disable audio		Region Entrance indicator
	SD card recording indicator		Region Exiting indicator
	Snapshot		Face detection indicator
	Start/stop local recording		Target Counting by Line indicator
	Zoom in		Target Counting by Area indicator

	Zoom out		Object detection indicator (object Abandoned/Missing)
	AZ control (only for <b>GV-GEBF4911</b> )		Heat map indicator
	PTZ control		Loitering detection indicator (not available for <b>GV-GEBF4911</b> )
	Face Detection		Illegal parking detection indicator (not available for <b>GV-GEBF4911</b> )
	Rule information display		Video metadata extraction indicator

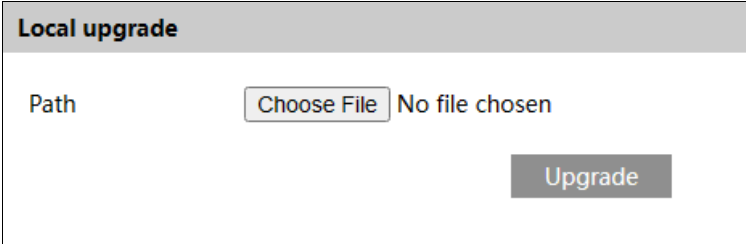
For detailed information, see the user's manual.



## 5. Upgrading System Firmware

GeoVision periodically releases updated firmware on the company [website](#). To load the new firmware into the camera, follow the instructions below.

1. On the Web interface, click **Config > Maintenance > Upgrade**.



The screenshot shows a web interface titled "Local upgrade". It contains a "Path" label, a "Choose File" button, the text "No file chosen", and an "Upgrade" button.

2. Click the **Choose File / Browse** button to locate the firmware file saved at your local computer.
3. Click the **Upgrade / Back up and upgrade** button to start upgrading the firmware.
4. After upgrading, the camera will restart automatically.

---

**Note:**

1. Do not allow downgrading from the current version to the lower version.
  2. Do not close the browser or disconnect the camera from the network during the upgrade.
  3. If "Back up and upgrade" is selected, the configuration file will be exported to your local PC before starting upgrading.
-

## 6. Restoring to Factory Default

If for any reason the camera is not responding correctly, you can restore the camera back to its factory default settings using the Web interface or the Load Default Button.

### On the Camera

1. Find the **Load Default** button on the camera (see *1. Overview* in the Quick Start Guide).
2. Press and hold the button for more than 10 seconds to restore to the factory default setting.

### On the Web Interface

#### For GV-GEBF4911

1. On the Web interface, click **Config > Maintenance > Backup and Restore**.
2. Click the **Load Default** button to restore all system settings to factory default, except the image settings (see *4.2 Image Configuration* in the *User's Manual* for details) you want to keep.

Import Setting	
Path	<input type="text"/> <input type="button" value="Browse..."/>
<input type="button" value="Import Setting"/>	
Export Settings	
<input type="button" value="Export Settings"/>	
Default Settings	
Keep	<input type="checkbox"/> Image Configuration
<input type="button" value="Load Default"/>	

**For GV-GBL4900 / GBL4911 / GDR4900 / GEB4900 / GVD4910**

1. On the Web interface, click **Config > Maintenance > Backup and Restore**.
2. Click **Restore Factory Settings** and then verify the password to restore all system settings to the default factory settings.



The screenshot displays a web interface with three main sections:

- Import Setting**: Contains a text input field labeled "Path" followed by a "Browse..." button, and a button labeled "Import Setting" below it.
- Export Settings**: Contains a button labeled "Export Settings" centered in the section.
- Restore Factory Settings**: Contains a button labeled "Restore Factory Settings" centered in the section.

## 7. Connecting to GV-Cloud VMS

To connect the camera to GV-Cloud VMS, follow the steps below.

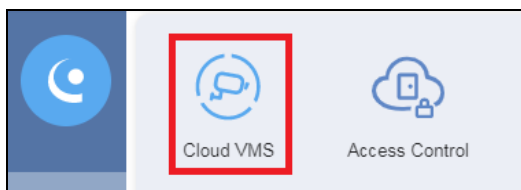
---


### Note:

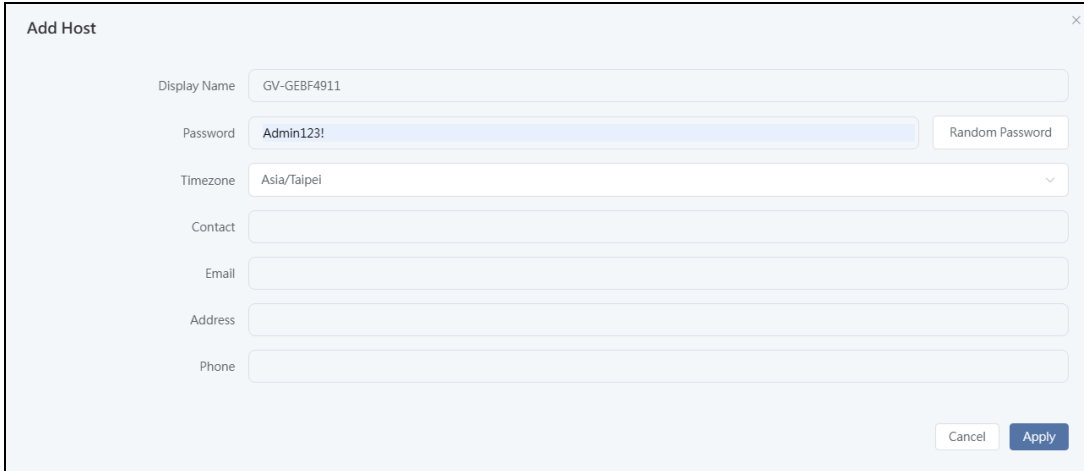
1. **Region Intrusion** and **Motion Detection** are required for GV-Cloud connection. The 2 events will be enabled by default for the following scenarios:
    - i. When the camera is successfully connected to GV-Cloud
    - ii. When the camera reconnects to GV-Cloud after disconnection
    - iii. When the camera is rebooted after connecting to GV-Cloud
  2. The following events are supported on GV-Cloud VMS:
    - A. **GV-GBL4900 / GBL4911 / GDR4900 / GEB4900 / GVD4910:** Motion Detection, Region Entrance, Region Exiting, Region Intrusion, Line Crossing, Video Exception (Scene Change / Video Blur Detection), I/O events.
    - B. **GV-GEBF4911:** Motion Detection, Line Crossing, Region Entrance, Region Exiting, Region Intrusion, Video Exception (Scene Change / Video Blur Detection).
  3. When connecting to GV-Cloud VMS, avoid connecting to other GV-Software at the same time.
- 

### On GV-Cloud

1. Finish the sign-up procedures on GV-Cloud and sign in.
2. Add the license plans you have purchased.
3. Click the GV-Cloud icon → **Cloud VMS**.



4. Select **Host** in the left menu, and click  in the upper right corner. This dialog box appears.

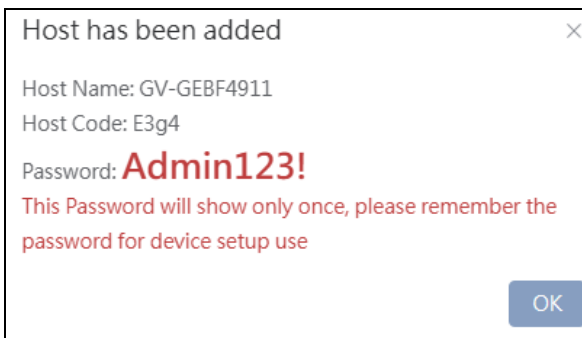


The 'Add Host' dialog box contains the following fields:

- Display Name: GV-GEBF4911
- Password: Admin123! (with a 'Random Password' button)
- Timezone: Asia/Taipei (dropdown menu)
- Contact: (empty text field)
- Email: (empty text field)
- Address: (empty text field)
- Phone: (empty text field)

Buttons: Cancel, Apply

5. Type **Display Name**, **Password** (to be the host's GV-Cloud login password), and select **Time Zone** for the host. The rest information is optional.
6. Click **Send**. The message "Host has been added" will appear. Keep the created **Host Code** and **Password** for connecting to GV-Cloud on the camera.



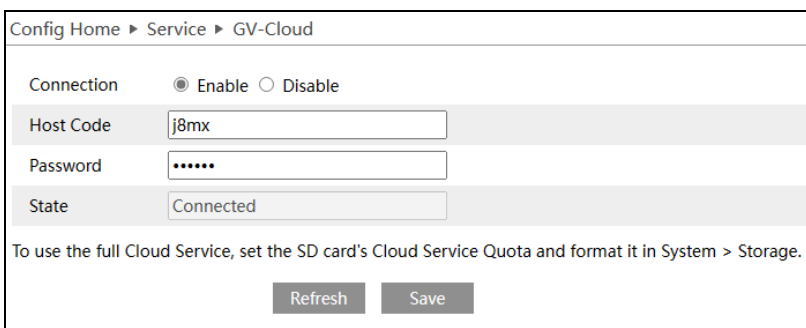
Host has been added

Host Name: GV-GEBF4911  
Host Code: E3g4  
Password: **Admin123!**  
This Password will show only once, please remember the password for device setup use

OK

### On the Camera's Web Interface

1. Go to **Config** → **Service** → **GV-Cloud**.



Config Home ▶ Service ▶ GV-Cloud

Connection  Enable  Disable

Host Code: j8mx

Password: .....

State: Connected

To use the full Cloud Service, set the SD card's Cloud Service Quota and format it in System > Storage.

Refresh Save

2. Enable the Connection and fill in the **Host Code** and **Password**.
3. Click **Save** and **Refresh** to set up and refresh the connection.

4. Go to **Config** → **System** → **Storage** to set up the service quota from the camera's SD card for the snapshots and recordings uploaded onto GV-Cloud VMS. For details, see **4.1.4 Storage** in the user's manual.

Management	Record	Snapshot
Total picture capacity	<input type="text" value="4881 MB"/>	
Picture remaining space	<input type="text" value="0 MB"/>	
Total recording capacity	<input type="text" value="43840 MB"/>	
Record remaining space	<input type="text" value="43584 MB"/>	
State	<input type="text" value="Normal"/>	
> Device Quota	<input type="text" value="10"/> %	
Cloud Service Quota	<input type="text" value="90"/> %	

Changes in the quota ratio need to be formatted before they become effective.

---

**Note:** It is recommended to set the Cloud Service Quota to 90% to prioritize cloud storage over the camera's storage.

---

## 8. Connecting to GV-Center V2

To connect to GV-Center V2, follow the steps below:

---

**Note:** The following events are supported on GV-Center V2:

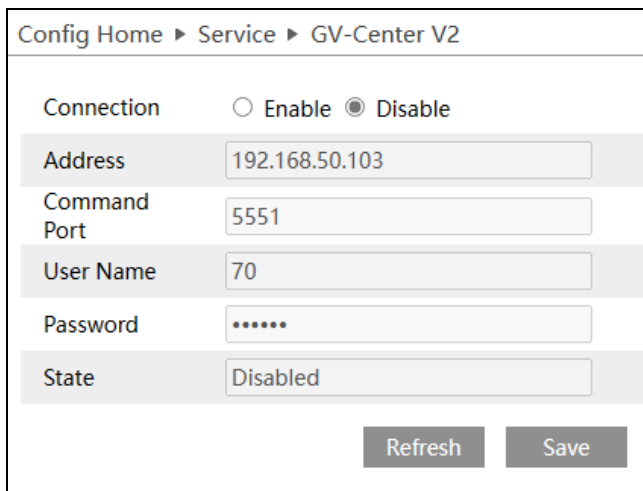
1. **GV-GBL4900 / GBL4911 / GDR4900 / GEBF4911 / GVD4910:** Motion Detection, Region Intrusion, Line Crossing, Region Entrance, Region Exiting, Video Exception (Scene Change Detection), I/O events.
  2. **GV-GEBF4911:** Motion Detection, Region Intrusion, Line Crossing, Region Entrance, Region Exiting, Video Exception (Scene Change Detection).
- 

### On GV-Center V2

Create at least one subscriber before starting Center V2 services. See *1.4.1 Creating a Subscriber* in the *GV-CMS Series User's Manual*.

### On the Camera's Web Interface

1. Go to **Config** → **Service** → **GV-Center V2**.



Config Home ▶ Service ▶ GV-Center V2	
Connection	<input type="radio"/> Enable <input checked="" type="radio"/> Disable
Address	<input type="text" value="192.168.50.103"/>
Command Port	<input type="text" value="5551"/>
User Name	<input type="text" value="70"/>
Password	<input type="password" value="*****"/>
State	<input type="text" value="Disabled"/>
<input type="button" value="Refresh"/> <input type="button" value="Save"/>	

2. Enable the Connection and enter the IP Address of GV-Center V2, User Name, and Password set up in GV-Center V2 for the camera as a subscriber.
3. Click **Save** and **Refresh** to set up and refresh the connection.

# 9. Optional Installation

## 9.1 Wall Mount Bracket GV-Mount211-4

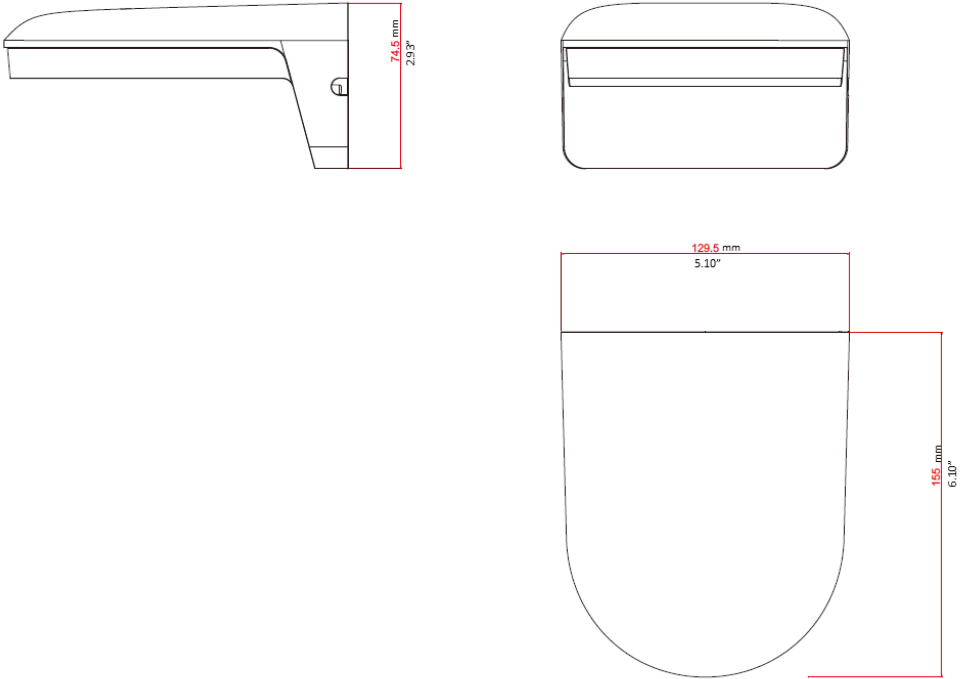


**Packing List**

1. GV-Mount211-4	2. Short screw (4 x10 mm) x 4
3. Long screw (4 x 25 mm) x 4	4. Colloidal particle x 4
5. Hex Key	6. Drill Template Paster

**Note:** GV-Mount211-4 is applicable to **GV-GDR4900 / GEBF4911 / GEB4900.**

**Dimension**

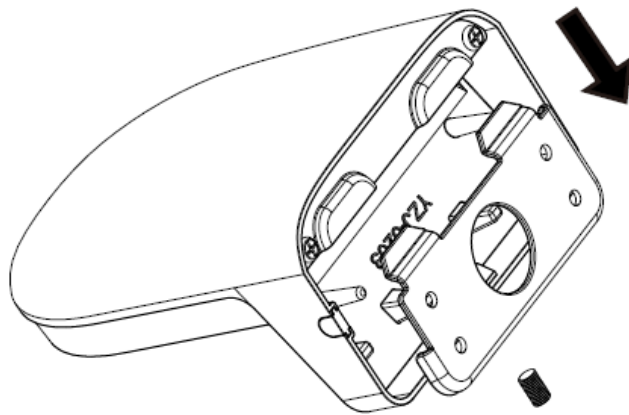




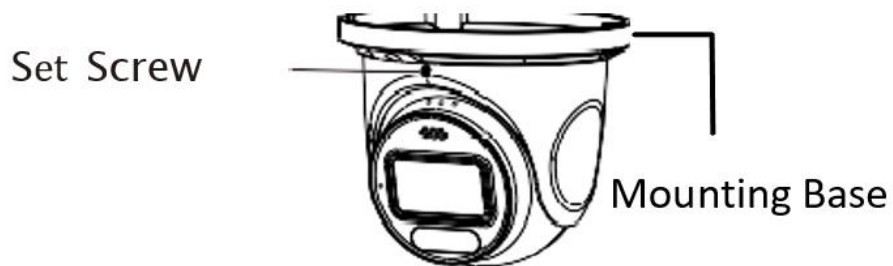
### GV-Mount211-4 Installation

Before installation, make sure that the wall is strong enough to withstand 3 times the weight of the brackets and the camera. The followings take straight cable outlet from the wall for example.

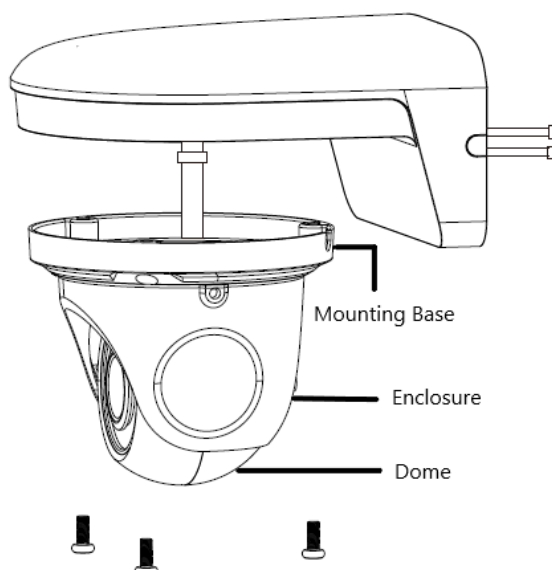
1. Unscrew and remove the mounting base of GV-Mount211-4.



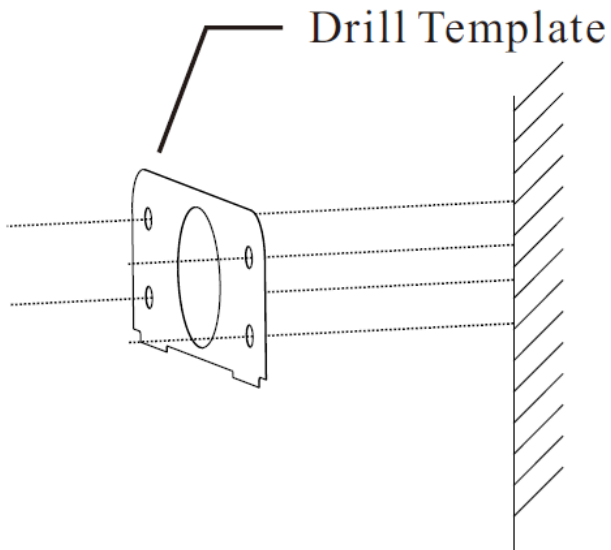
2. Loosen the set screw and detach the mounting base of the camera.



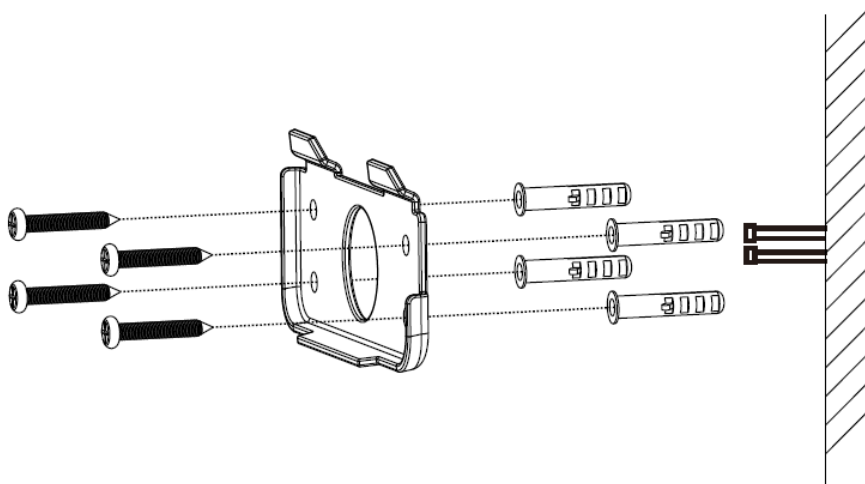
3. Secure the camera's mounting base to GV-Mount211-4 first, and install the dome and enclosure to the camera's mounting base.



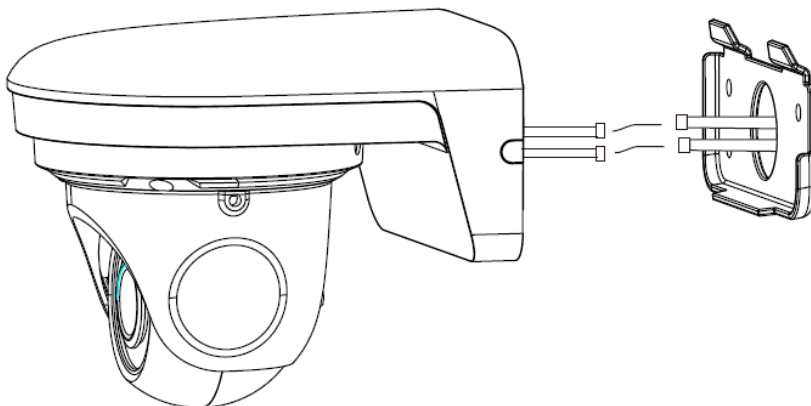
4. Drill the screw holes on the wall according to the drill template.



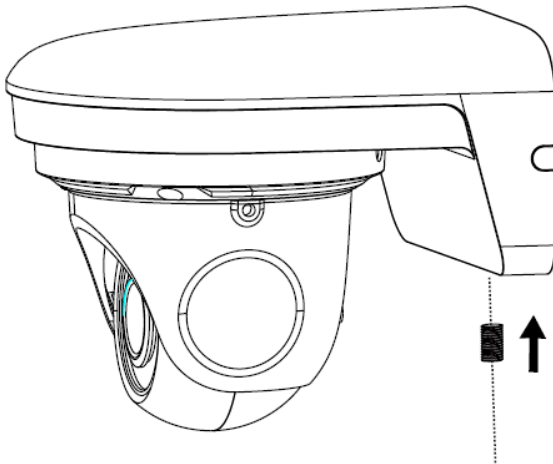
5. Secure the mounting base of GV-Mount211-4 to the wall.



6. Route the cables through the cable hole and connect the cables.



7. Fix GV-Mount211-4 to its mounting base on the wall.



## 9.2 Wall Mount Bracket GV-Mount211-6



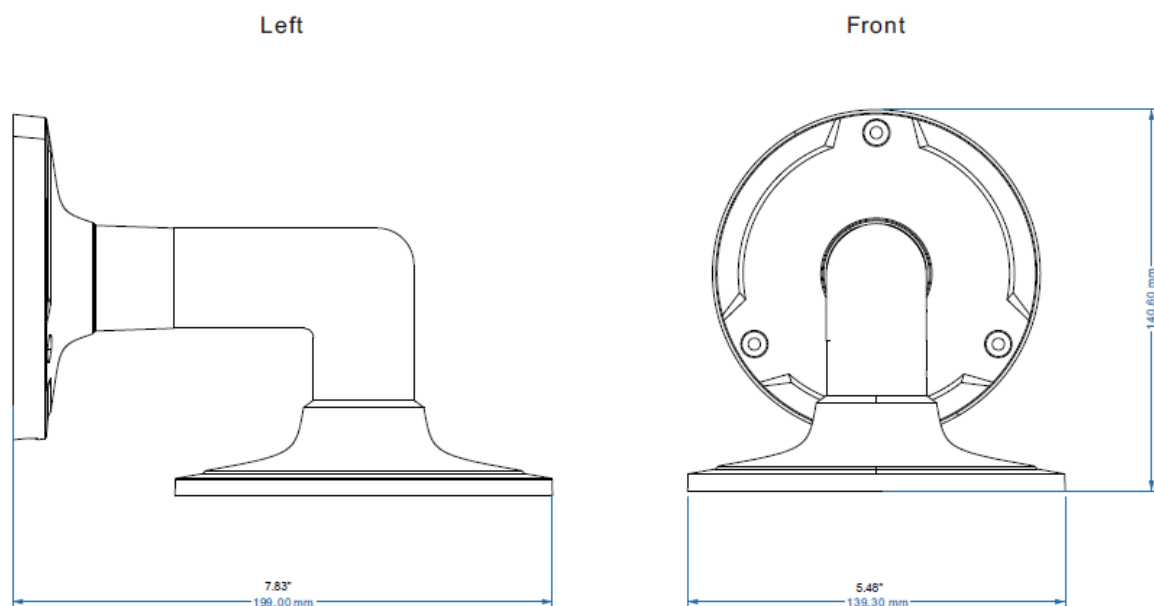
### Packing List

1. GV-Mount211-6	2. Screw (3 x6 mm) x 2
3. Screw (6 x 12 mm) x 4	4. Screw (4 x 25 mm) x 3
5. Waterproof ring x 4	6. Plastic case (6 x 29) x 3
7. Drill Template Paster	

### Note:

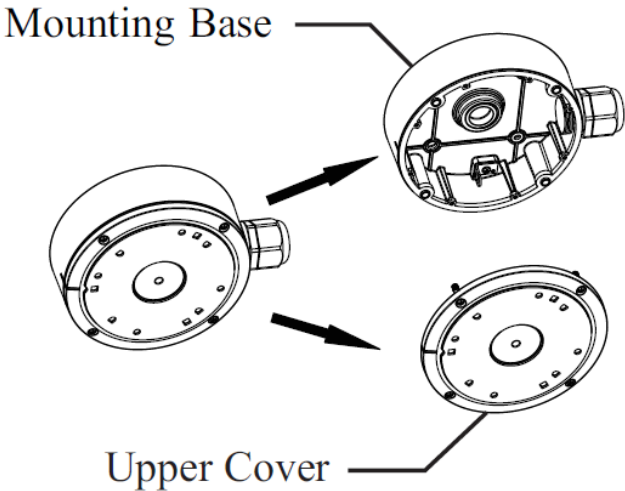
1. GV-Mount211-6 must be used with GV-Mount506.
2. GV-Mount211-6 is applicable to **GV-GEBF4911**.

### Dimension

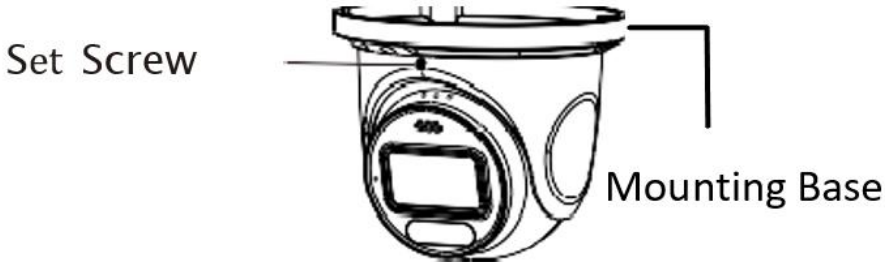


**GV-Mount211-6 Installation**

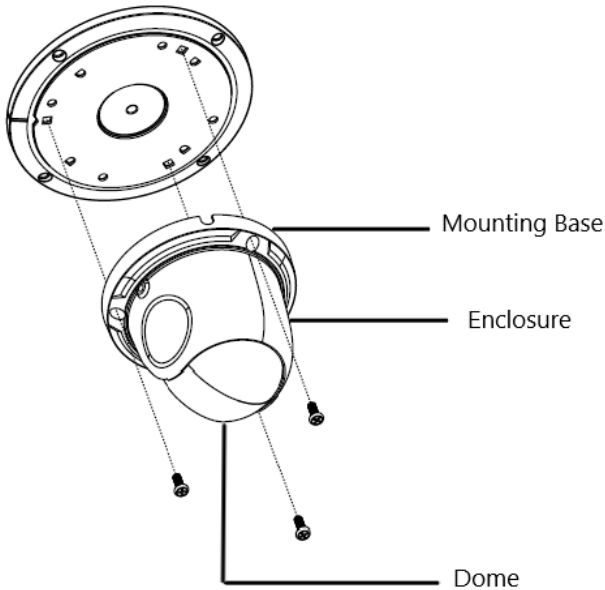
- 1. Open the mounting base and the upper cover of GV-Mount506.



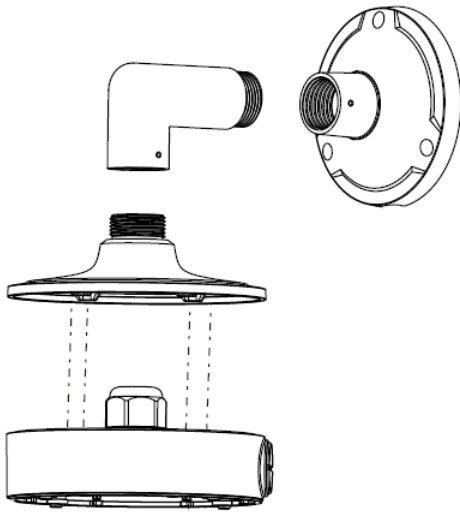
- 2. Loosen the set screw and detach the mounting base of the camera.



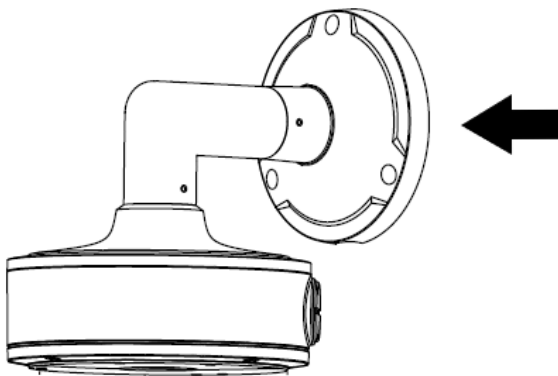
- 3. Secure the camera's mounting base to the upper cover of GV-Mount506 first, and install the dome and enclosure to the camera's mounting base.



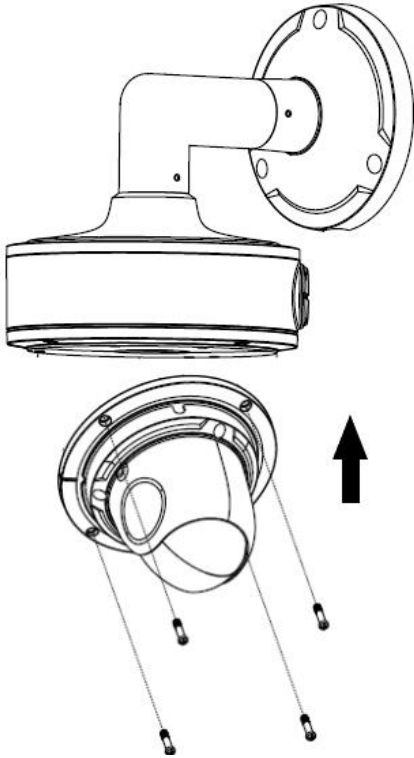
4. Assemble GV-Mount211-6, and fix the mounting base of GV-Mount506 to GV-Mount211-6.



5. Route the cables through the cable hole of GV-Mount211-6 and connect the cables.



6. Secure the camera mounted with the upper cover of GV-Mount506 to GV-Mount211-6.



7. Secure GV-Mount211-6 to the wall.

## 9.3 Wall Mount Bracket GV-Mount211-8



### Packing List

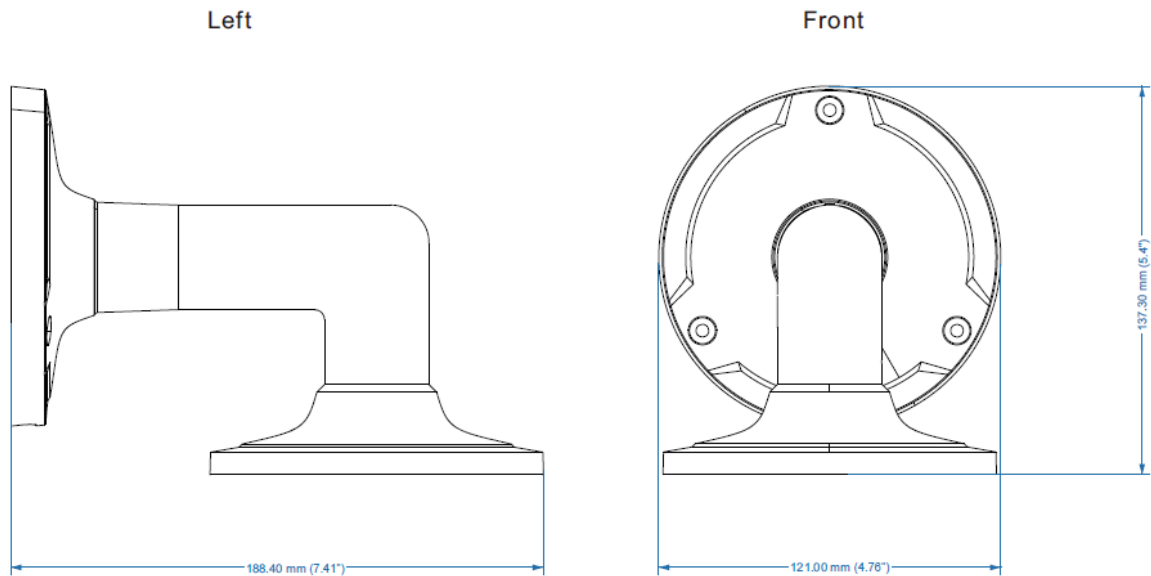
1. GV-Mount211-8	2. Screw (3 x 6 mm) x 2
3. Screw (4 x 12 mm) x 4	4. Screw (4 x 25 mm) x 3
5. Waterproof ring x 4	6. Plastic case (6 x 29) x 3
7. Drill Template Paster	

### Note:

1. GV-Mount211-8 must be used with GV-Mount506-1.
2. GV-Mount211-8 is applicable to **GV-GEB4900**.

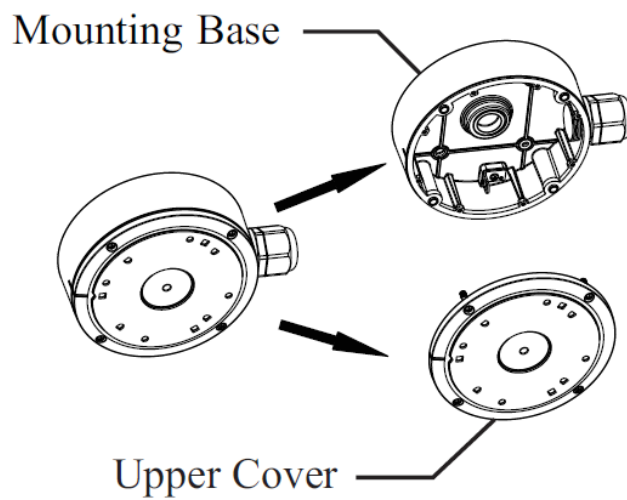


## Dimension

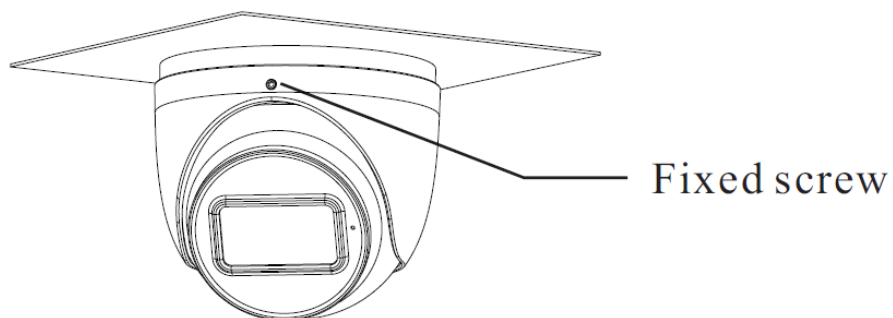


## GV-Mount211-8 Installation

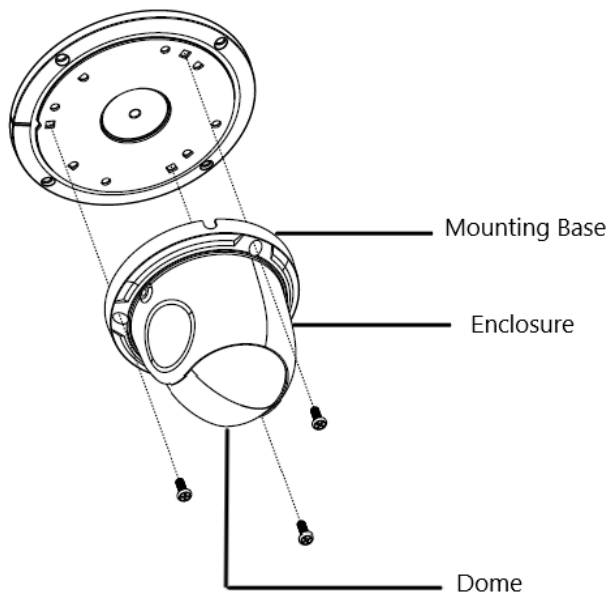
1. Open the mounting base and the upper cover of GV-Mount506-1.



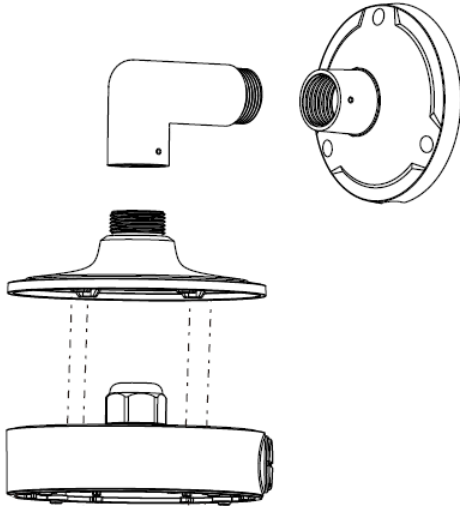
2. Loosen the set screw and detach the mounting base of the camera.



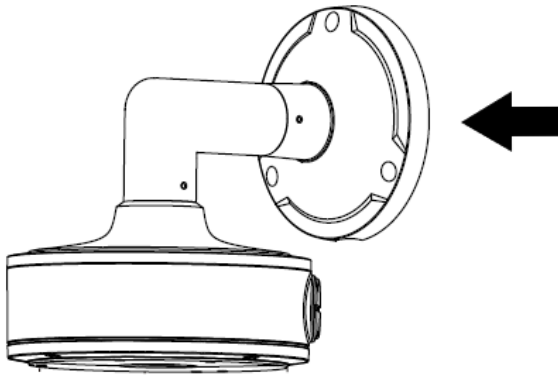
3. Secure the camera's mounting base to the upper cover of GV-Mount506-1 first, and install the dome and enclosure to the camera's mounting base.



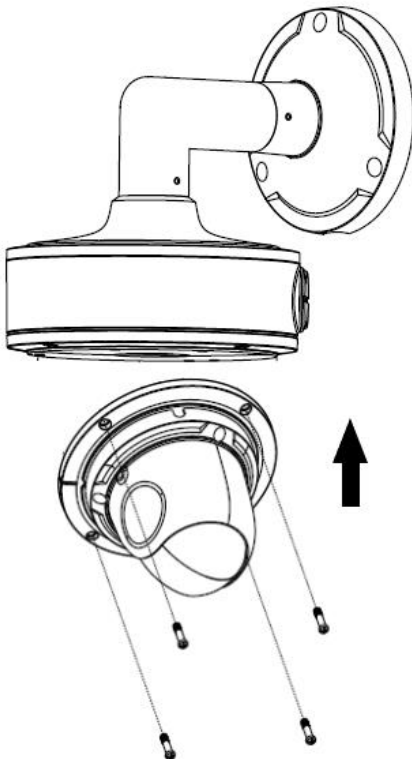
4. Assemble GV-Mount211-8, and fix the mounting base of GV-Mount506-1 to GV-Mount211-8.



5. Route the cables through the cable hole of GV-Mount211-8 and connect the cables.



6. Secure the camera mounted with the upper cover of GV-Mount506-1 to GV-Mount211-8.



7. Secure GV-Mount211-8 to the wall.

## 9.4 Wall Mount Bracket GV-Mount211-9



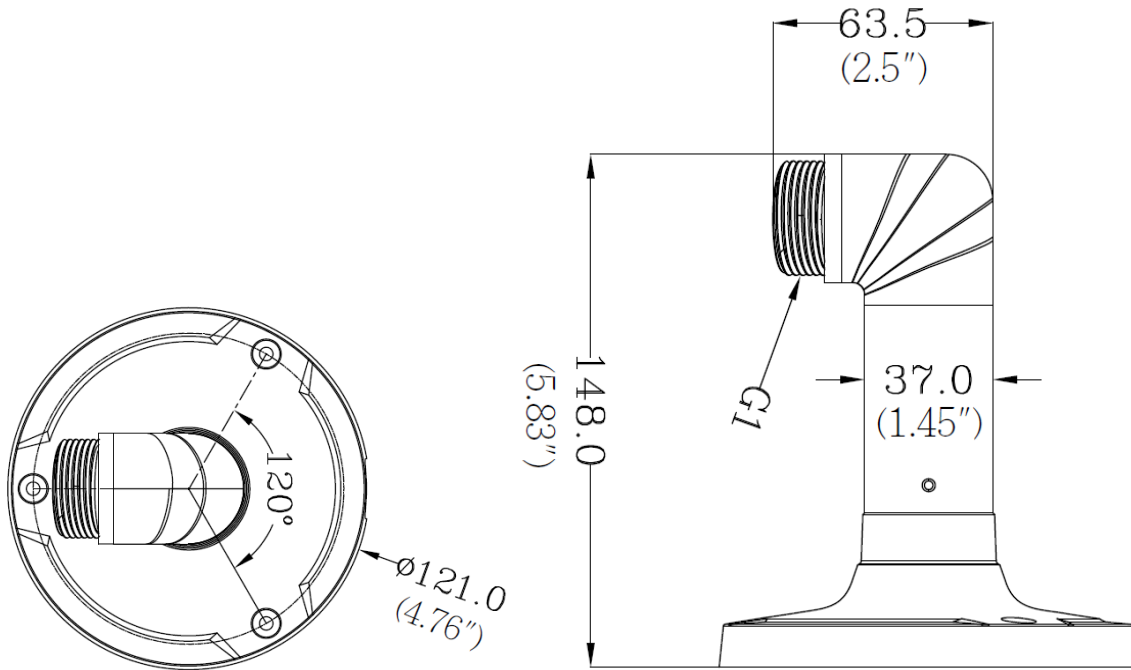
### Packing List

1. GV-Mount211-8	2. Screw (3 x 6 mm) x 2
3. Screw (4 x 12 mm) x 4	4. Screw (4 x 25 mm) x 3
5. Waterproof ring x 4	6. Plastic case (6 x 29) x 3
7. Drill Template Paster	

### Note:

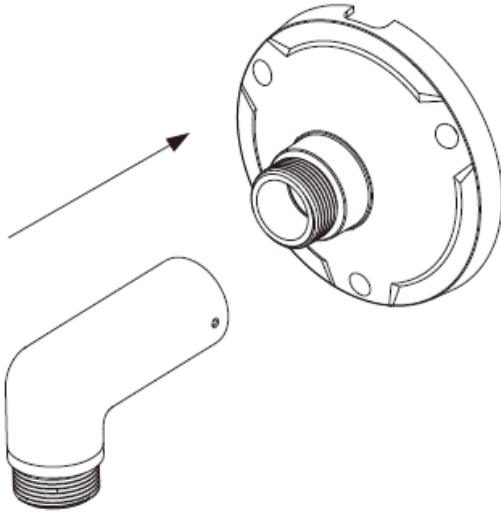
1. GV-Mount211-9 must be used with GV-Mount509.
2. GV-Mount211-9 is applicable to **GV-GDR4900**.

## Dimension

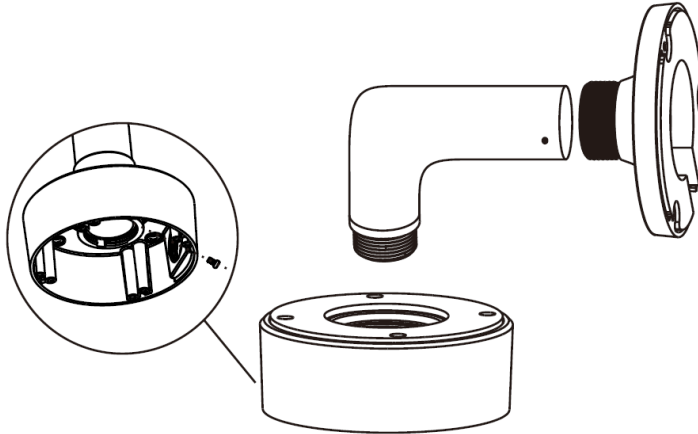


## GV-Mount211-9 Installation

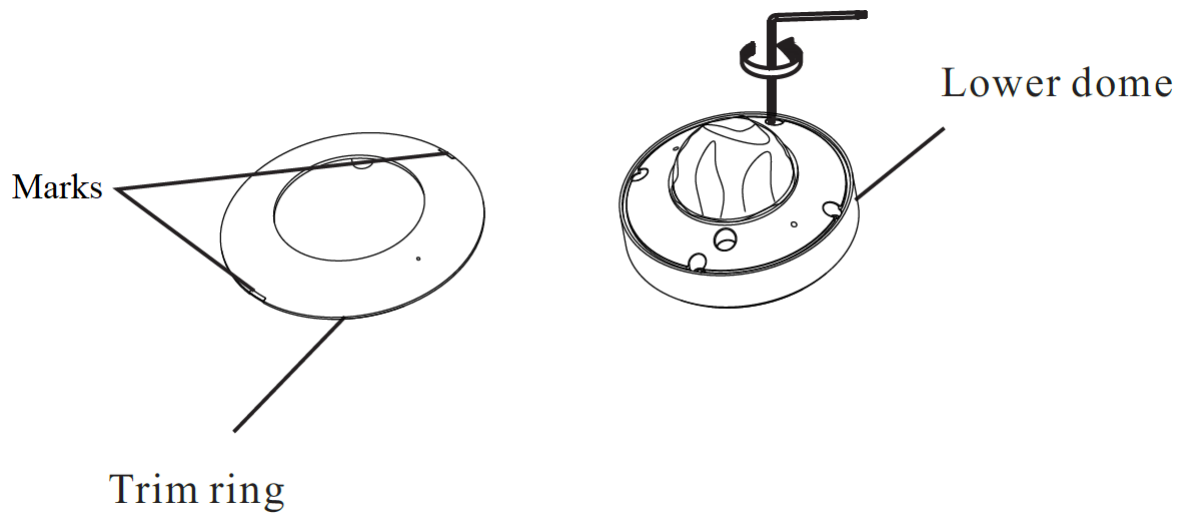
1. Assemble GV-Mount211-9.



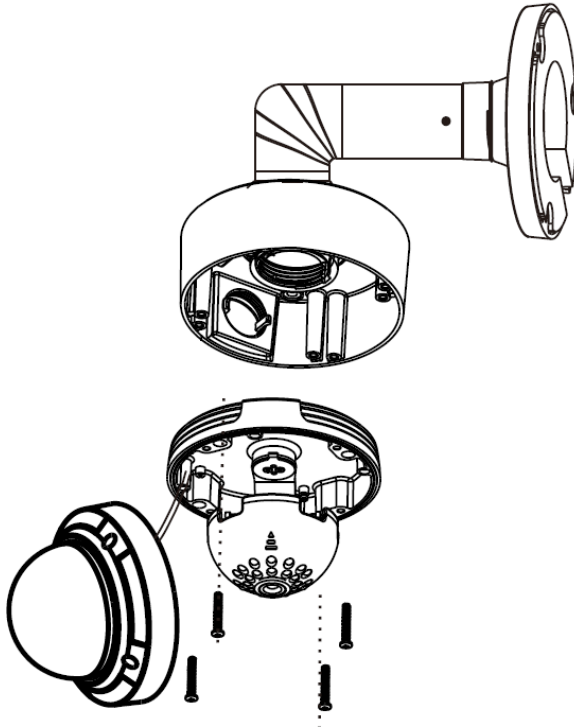
2. Secure GV-Mount509 with GV-Mount211-9.



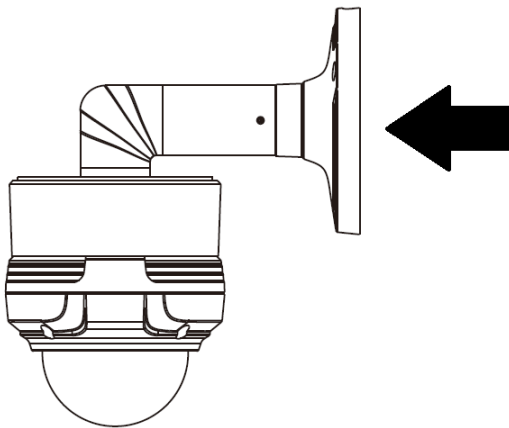
3. Use two fingers to remove the trim ring of the camera from the rim with marks. Then loosen the screws to open the lower dome.



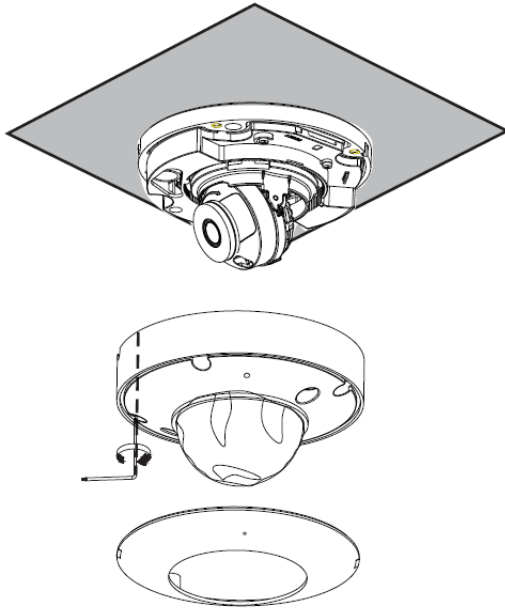
4. Attach the camera base to GV-Mount509.



5. Route the cables through the cable hole of GV-Mount211-9 and connect the cables.



6. Put the trim ring back onto the lower dome and assemble the camera.



7. Secure GV-Mount211-9 to the wall.



## 9.5 Junction Box GV-Mount506

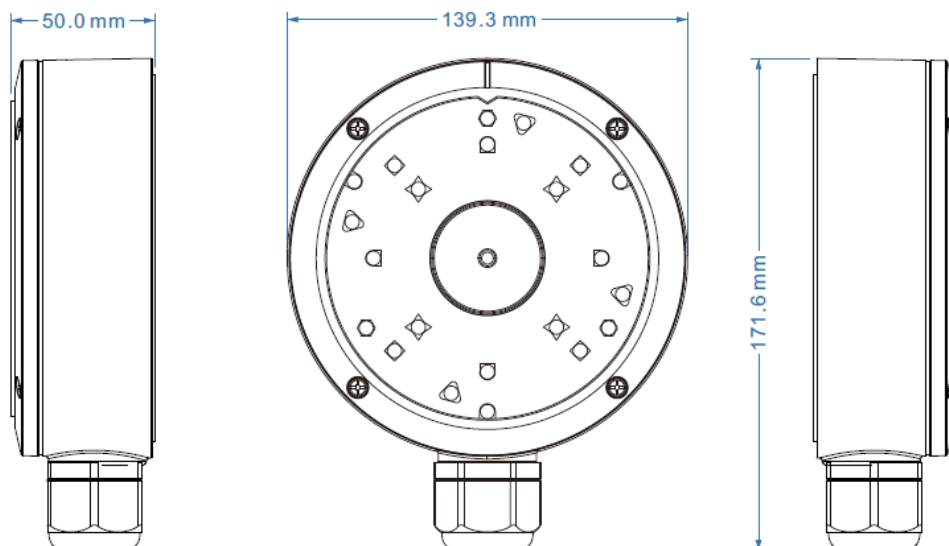


### Packing List

1. GV-Mount506	2. Plastic case (7 x 42 mm) x 4
3. Short screw (4 x 10 mm) x 4	4. Long screw (6.5 x 38 mm) x 4
5. Waterproof ring x 4	6. Drill Template Paster

**Note:** GV-Mount506 is applicable to **GV-GBL4900 / GEBF4911**.

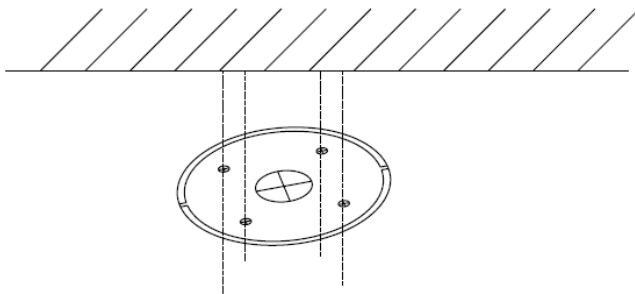
### Dimension



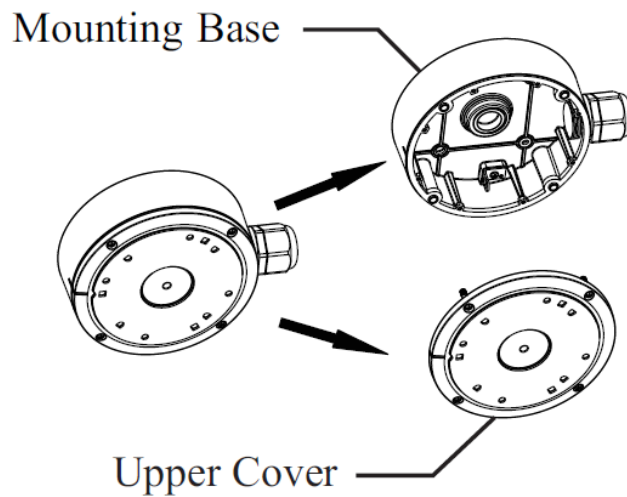
### GV-Mount506 Installation

Before installation, make sure that the wall is strong enough to withstand 3 times the weight of the junction box and the camera.

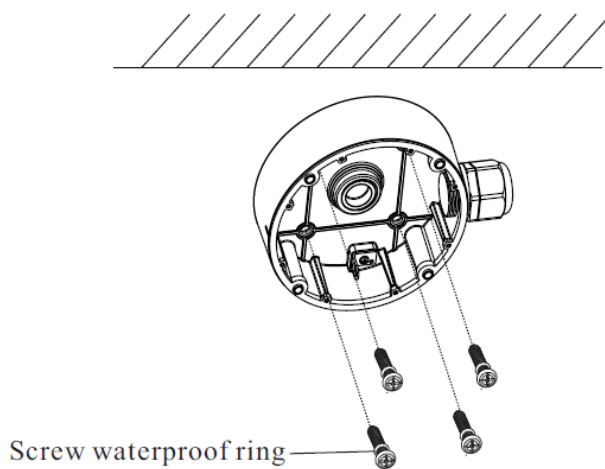
1. Drill the screw holes on the wall according to the drill template.



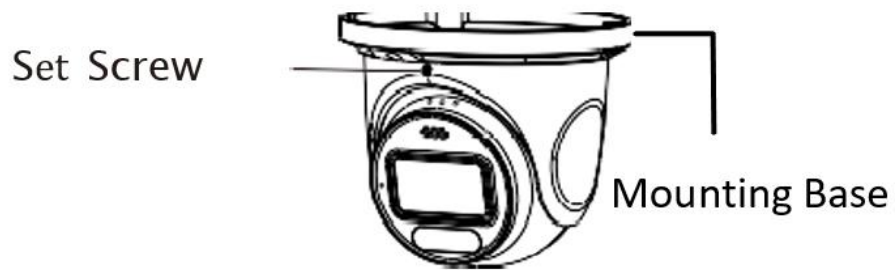
2. Open the mounting base and the upper cover of GV-Mount506.



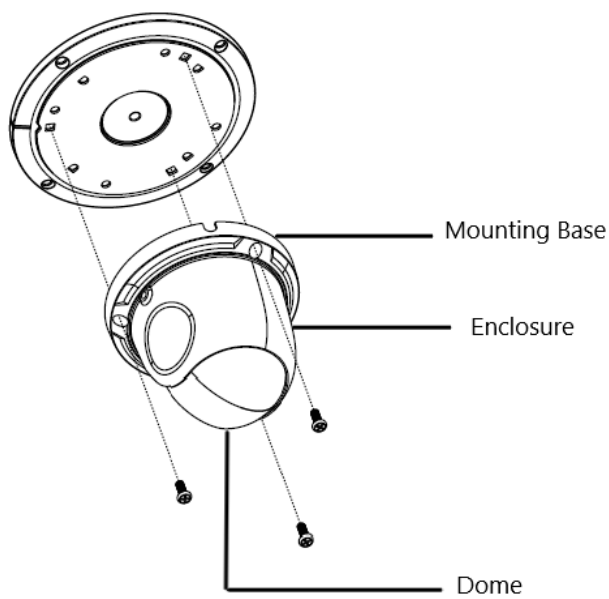
3. Secure the mounting base of GV-Mount506 to the wall.



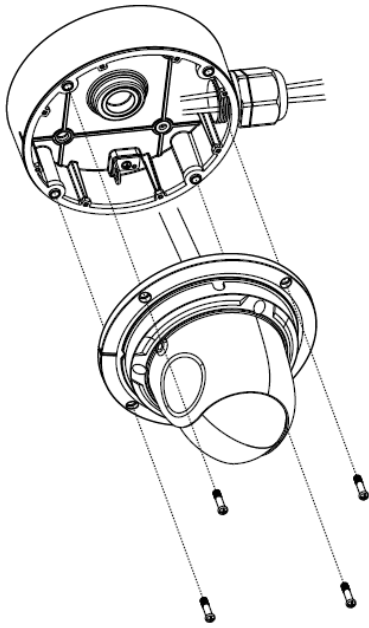
4. Loosen the set screw and detach the mounting base of the camera.



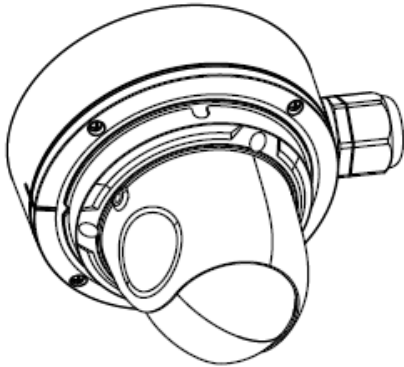
5. Secure the camera's mounting base to the upper cover of GV-Mount506 first, and install the dome and enclosure to the camera's mounting base.



6. Route the cables through the cable hole (take side conduit cabling for example) and connect the cables. Then reinstall the upper cover to GV-Mount506.



7. Adjust the view angle of the camera.



## 9.6 Junction Box GV-Mount506-1

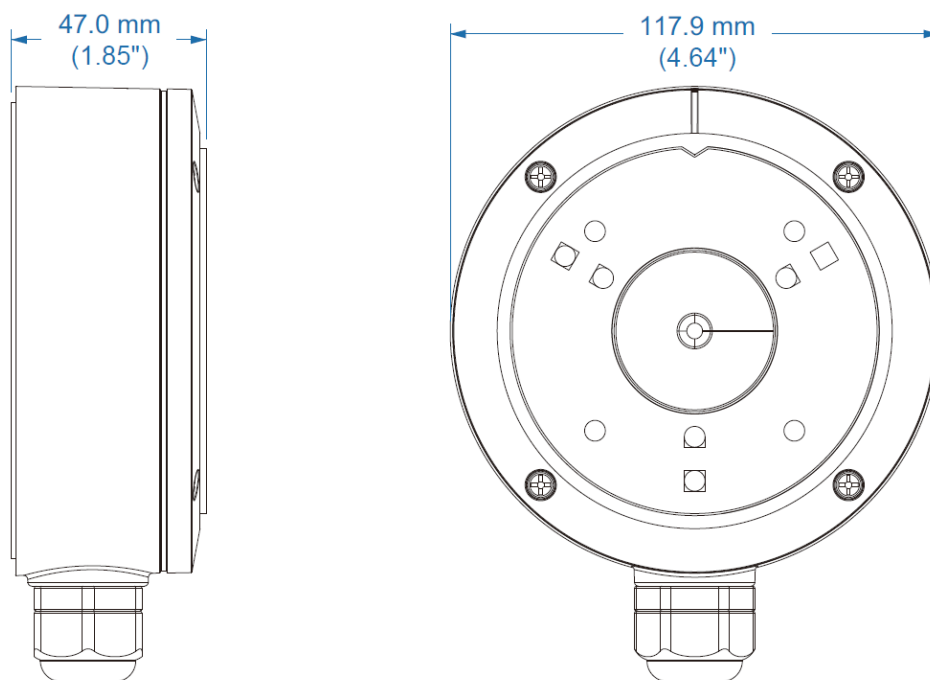


### Packing List

1. GV-Mount506-1	2. Plastic case (4 x 10 mm) x 4
3. Screw (4 x 25 mm) x 4	4. Waterproof ring x 5
5. Plastic case (6 x 29) x 4	6. Drill Template Paster

**Note:** GV-Mount506-1 is applicable to **GV-GEB4900**.

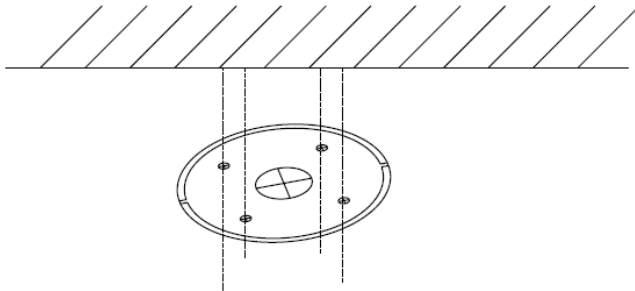
### Dimension



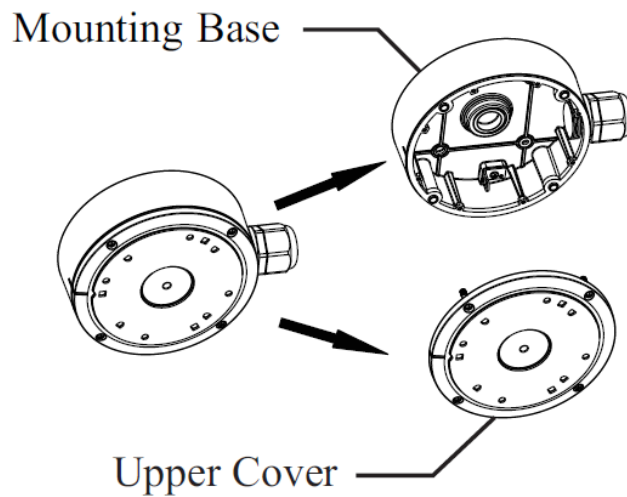
### GV-Mount506-1 Installation

Before installation, make sure that the wall is strong enough to withstand 3 times the weight of the junction box and the camera.

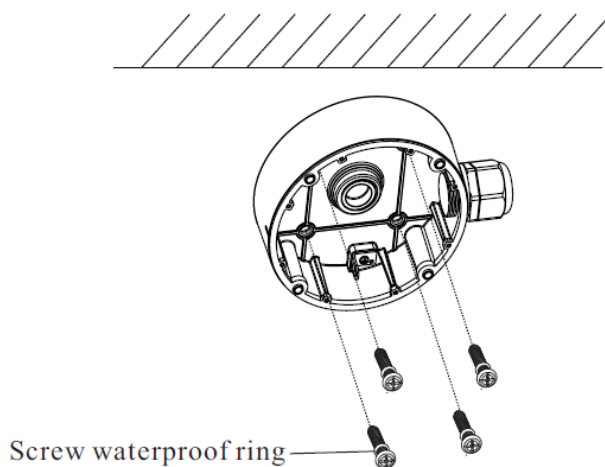
1. Drill the screw holes on the wall according to the drill template.



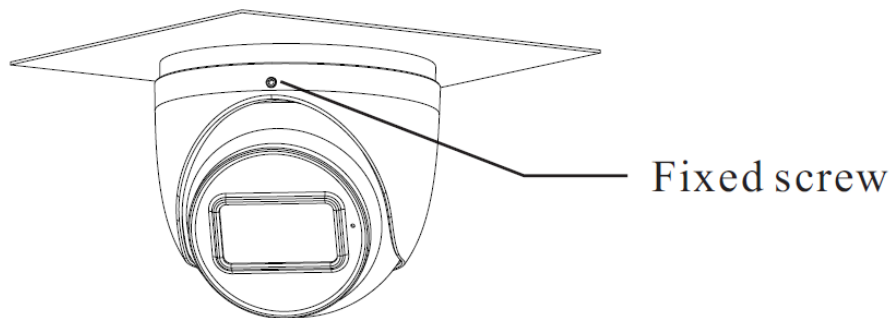
2. Open the mounting base and the upper cover of GV-Mount506-1.



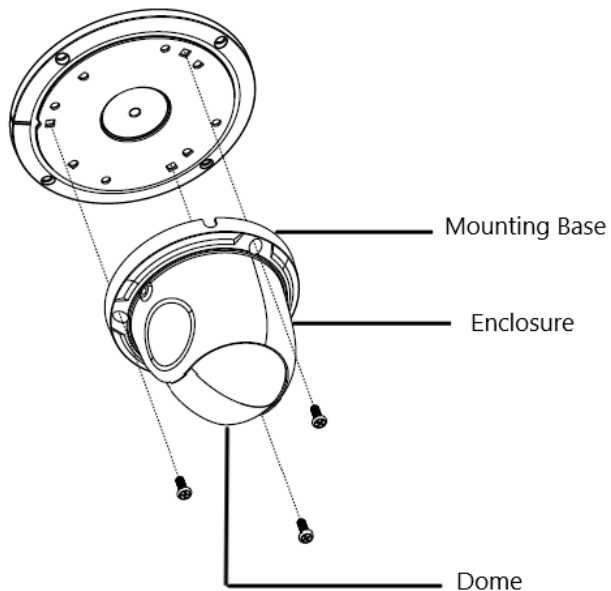
3. Secure the mounting base of GV-Mount506-1 to the wall.



4. Loosen the set screw and detach the mounting base of the camera.



5. Secure the camera's mounting base to the upper cover of GV-Mount506-1 first, and install the dome and enclosure to the camera's mounting base.



## 9.7 Junction Box GV-Mount507

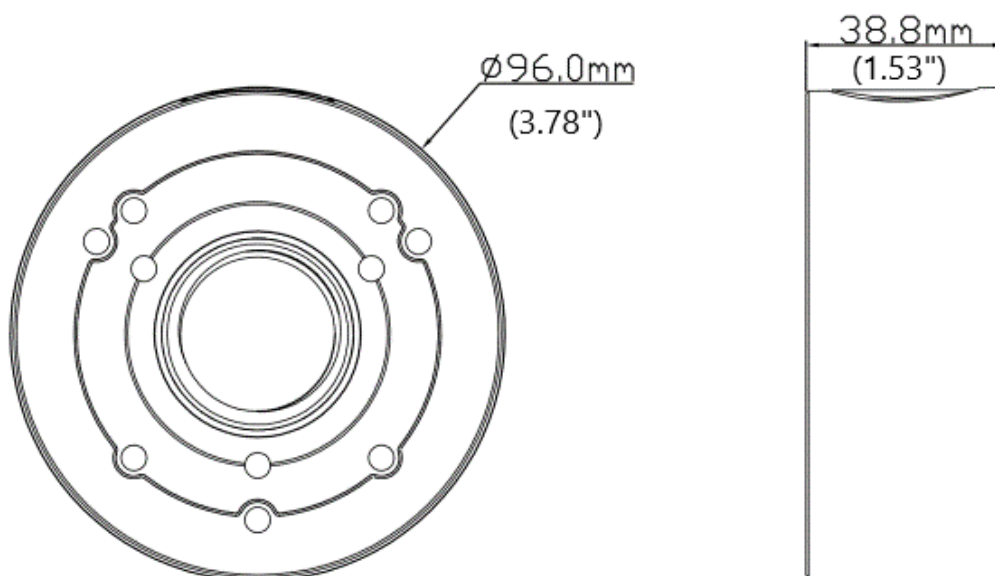


### Packing List

1. GV-Mount507	2. Screw (4 x 10 mm) x 4
3. Screw (4 x 25 mm) x 3	4. Screw (3 x 6 mm) x 1
5. Plastic case x 3	6. Hex Key x 1
7. Waterproof ring x 5	8. Drill Template Paster

**Note:** GV-Mount507 is applicable to GV-GBL4900.

### Dimension

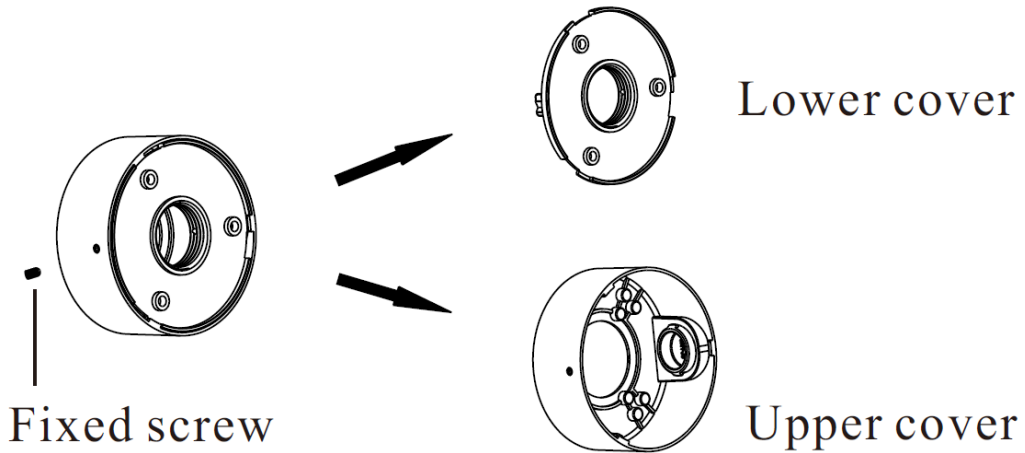




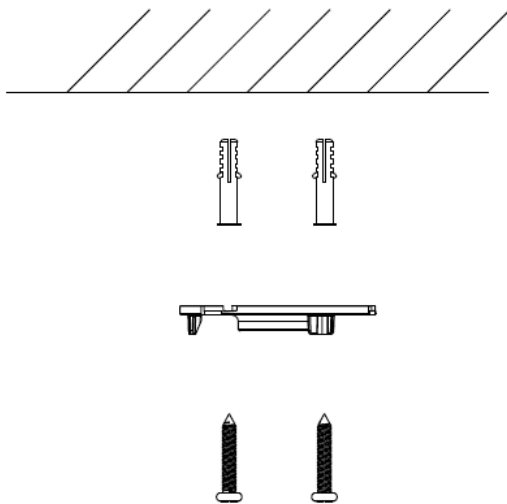
### GV-Mount507 Installation

Before installation, make sure that the wall is strong enough to withstand 3 times the weight of the junction box and the camera. We only introduce the installation of some cameras with junction box in this manual. Note that this is only applicable to GV-GBL4900.

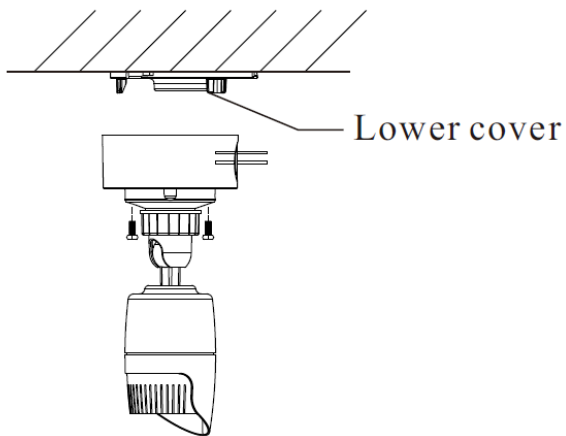
1. Open the lower cover and the upper cover of the junction box by loosening the fixed screw.



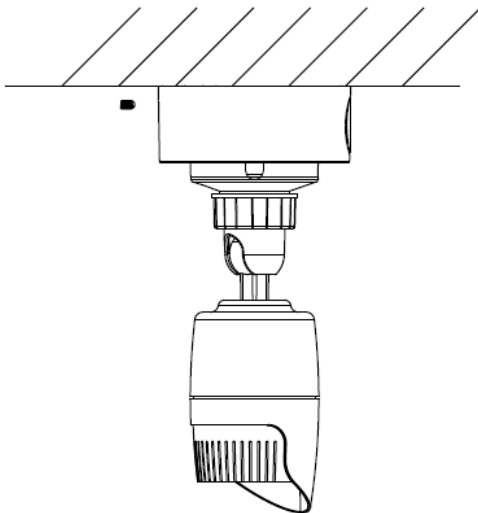
2. Fix the lower cover of the junction box to the wall with screws.



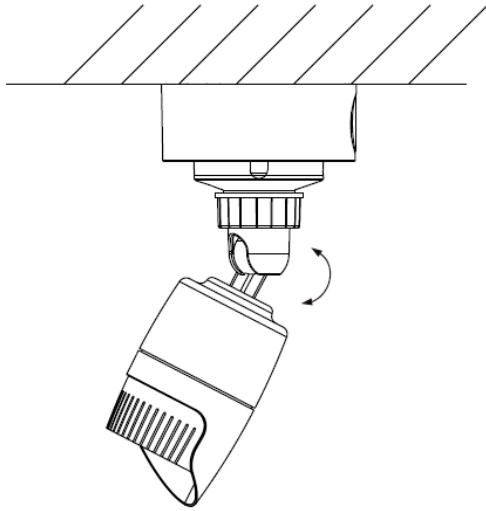
3. Fix the camera to the upper cover of the junction box. Then route the cables through the cable hole (take side conduit cabling for example) and connect the cables.



4. Install the camera with the upper cover of the junction box to the lower cover, with a clockwise rotation and then secure the junction box by tightening the fixed screw.



5. Adjust the view angle of the camera.



## 9.8 Junction Box GV-Mount507-1

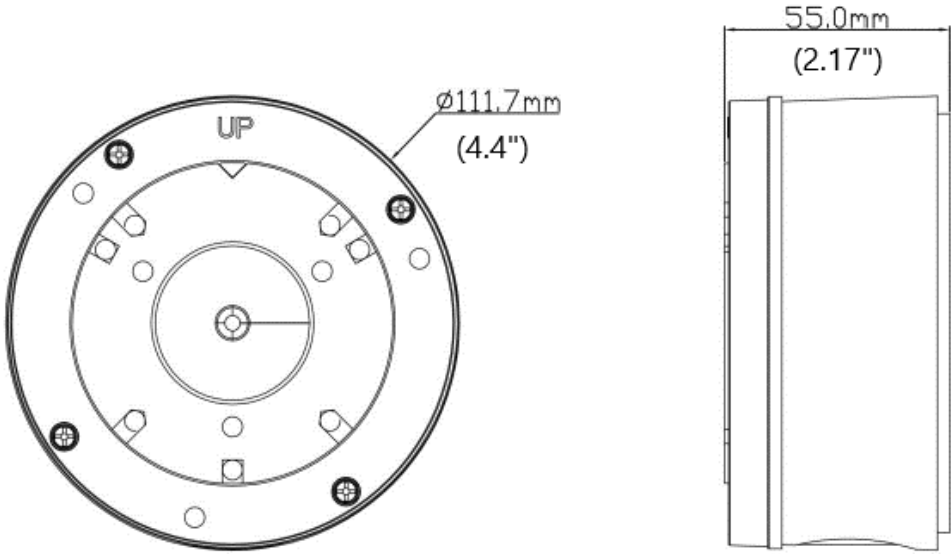


### Packing List

1. GV-Mount507-1	2. Screw (4 x 10 mm) x 4
3. Screw (4 x 25 mm) x 4	4. Plastic case x 4
5. Waterproof ring x 4	6. Drill Template Paster

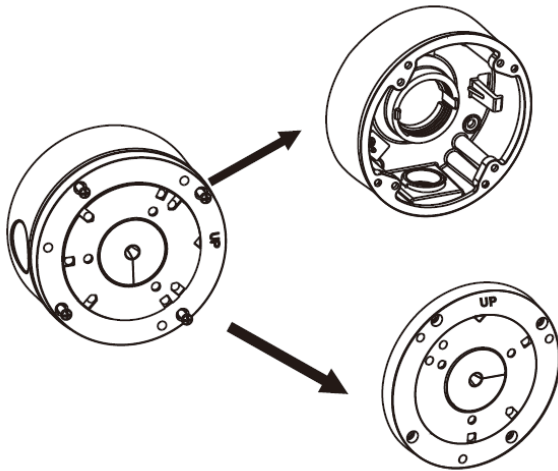
**Note:** GV-Mount507-1 is applicable to GV-GBL4900.

### Dimension

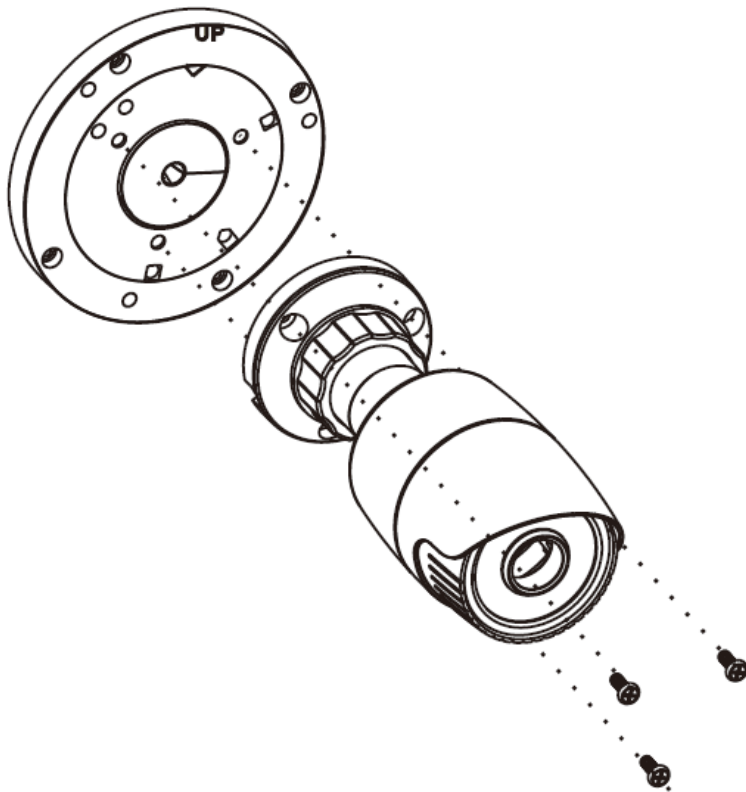


### GV-Mount507-1 Installation

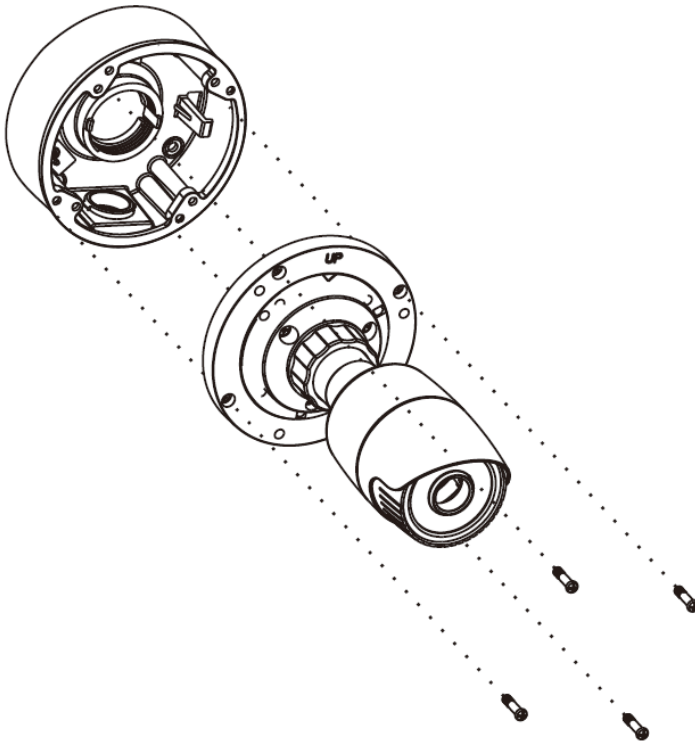
1. Disassemble GV-Mount507-1 first.



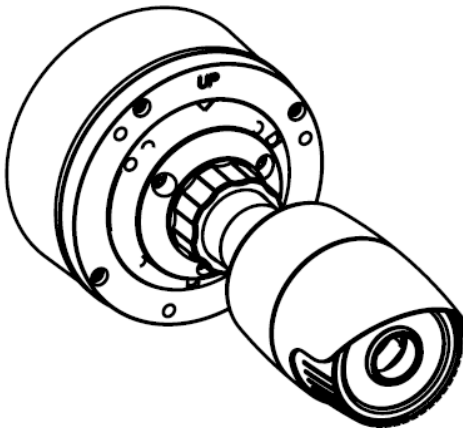
2. Secure the camera onto the cover of GV-Mount507-1 using the supplied screws as indicated below.



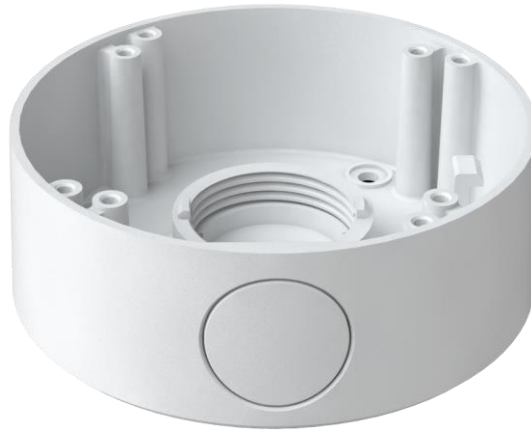
3. Assemble the camera and the bottom of GV-Mount507-1 using the screws as indicated below.



4. The installation is completed.



## 9.9 Junction Box GV-Mount509

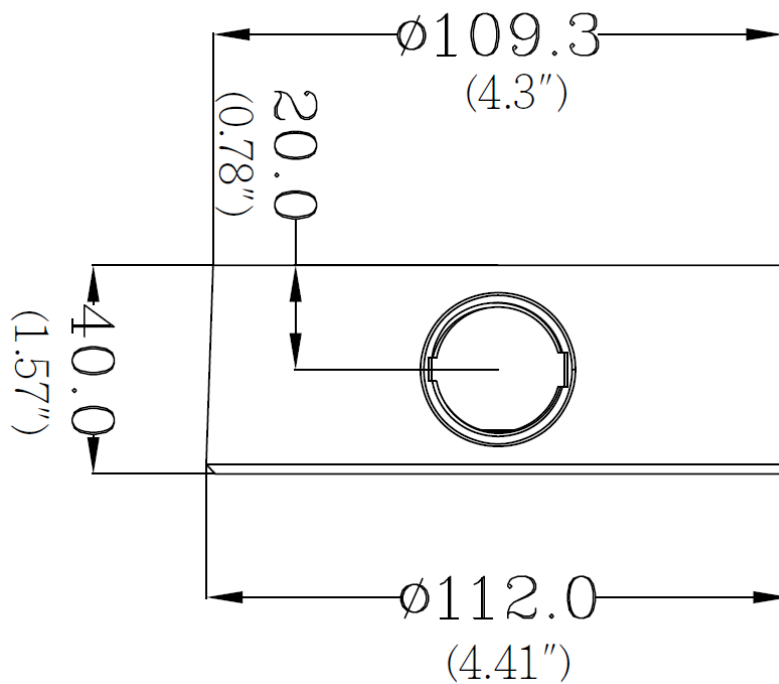


### Packing List

1. GV-Mount506-1	2. Screw (4 x 12 mm) x 5
3. Screw (4 x 22 mm) x 5	4. Screw (4 x 25 mm) x 4
5. Plastic case (6 x 25 mm) x 4	6. Drill Template Paster

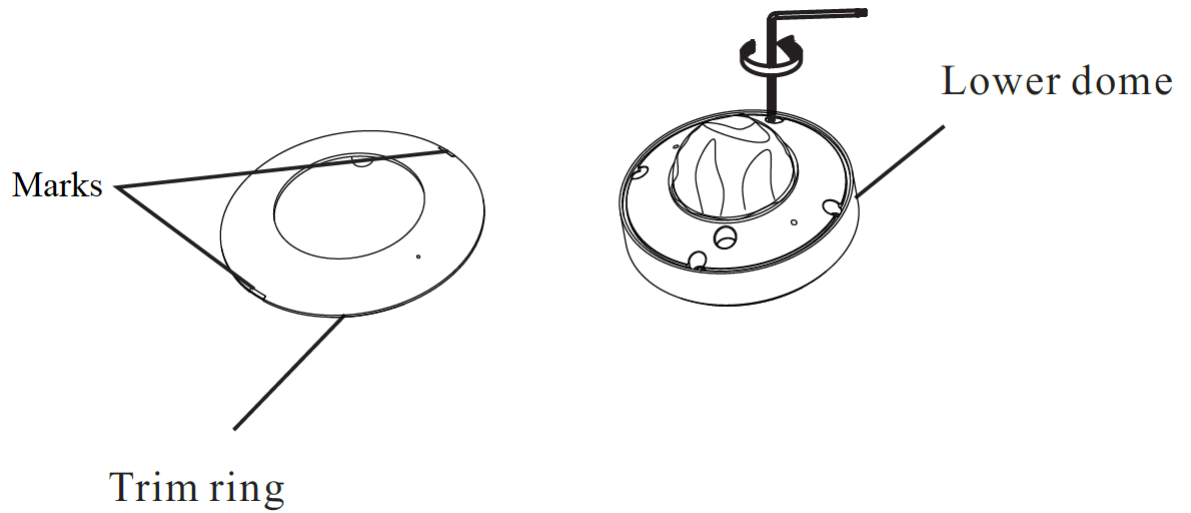
**Note:** GV-Mount509 is applicable to **GV-GDR4900**.

### Dimension

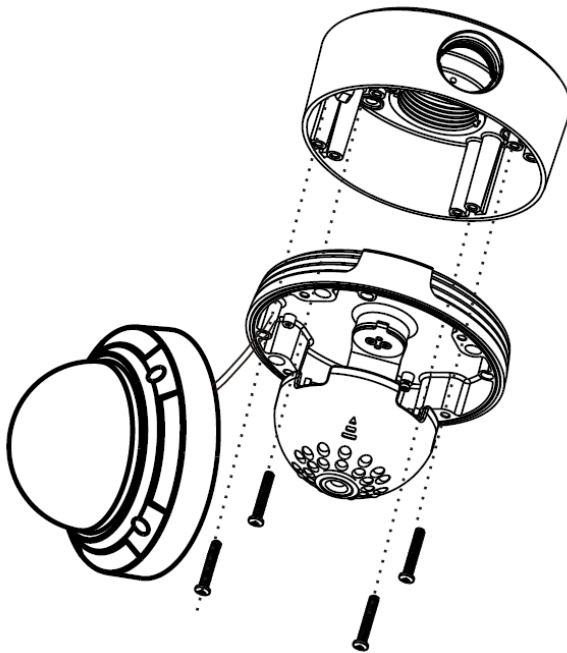


### GV-Mount509 Installation

1. Use two fingers to remove the trim ring of the camera from the rim with marks. Then loosen the screws to open the lower dome.

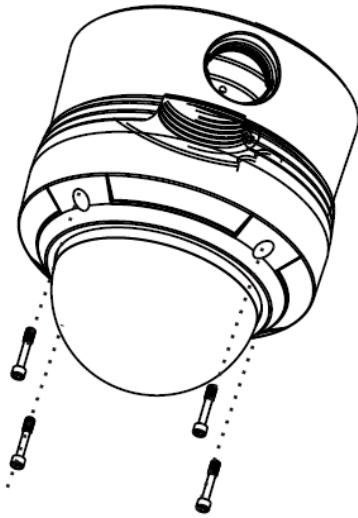


2. Secure the camera onto GV-Mount509 using the supplied screws.

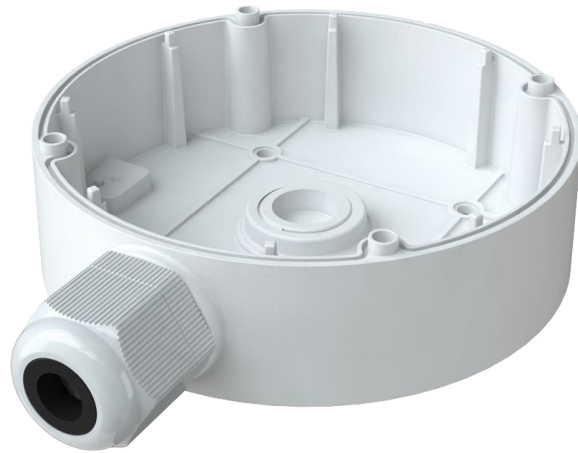




3. Assemble the camera and finish the installation.



## 9.10 Junction Box GV-Mount510

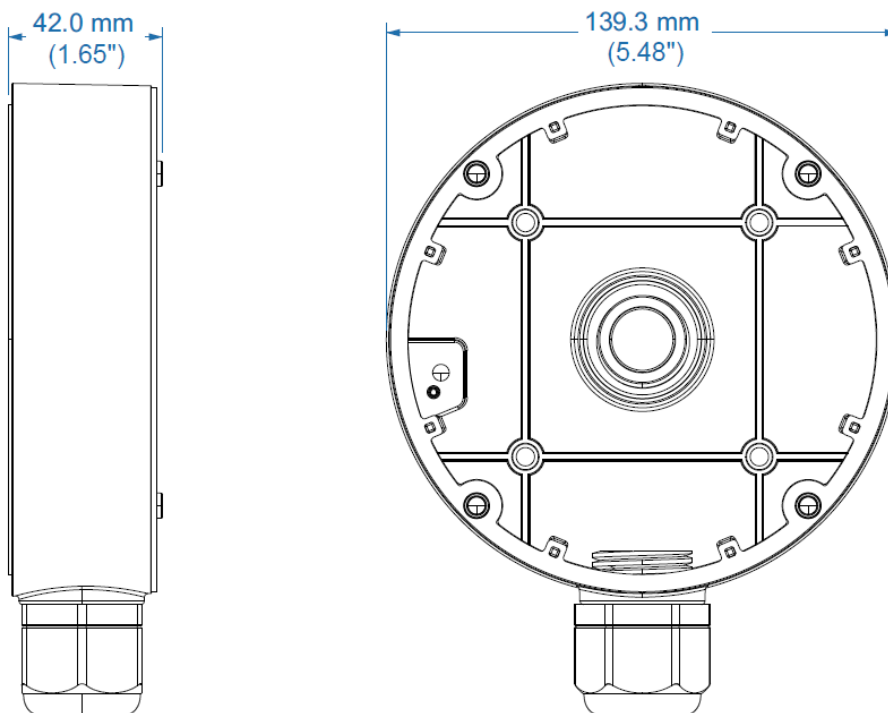


### Packing List

1. GV-Mount510	2. Screw (4 x 16 mm) x 4
3. Screw (6.5 x 38 mm) x 4	4. Plastic case (8 x 40 mm) x 4
5. Screw waterproof ring x 4	6. PG waterproof ring x 1
7. Drill Template Paster	

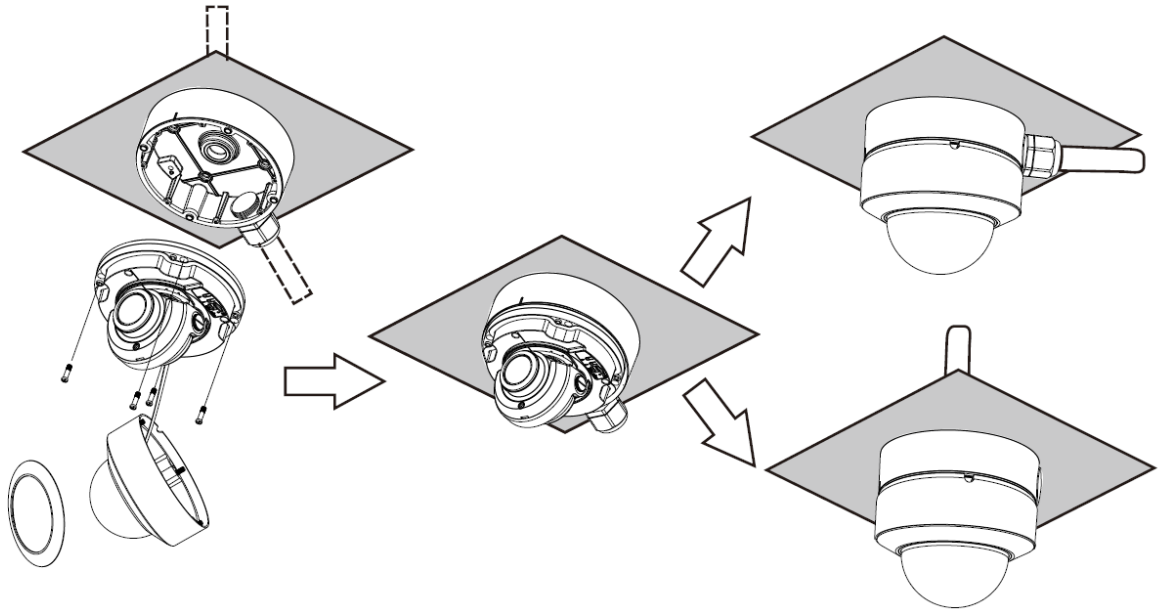
**Note:** GV-Mount510 is applicable to **GV-GVD4910**.

### Dimension



### GV-Mount510 Installation

1. Secure the junction box to the wall or ceiling with screws.
2. Rotate the trim ring anticlockwise to remove it from the camera and then loosen the screws to open the lower dome.
3. Route and connect these cables. Then fasten the camera to the junction box with screws.
4. Adjust the view of angle and the image.
5. Install the lower dome and the trim ring back to the camera.



## 9.11 In-Ceiling Mounting Bracket GV-Mount925



### Packing List

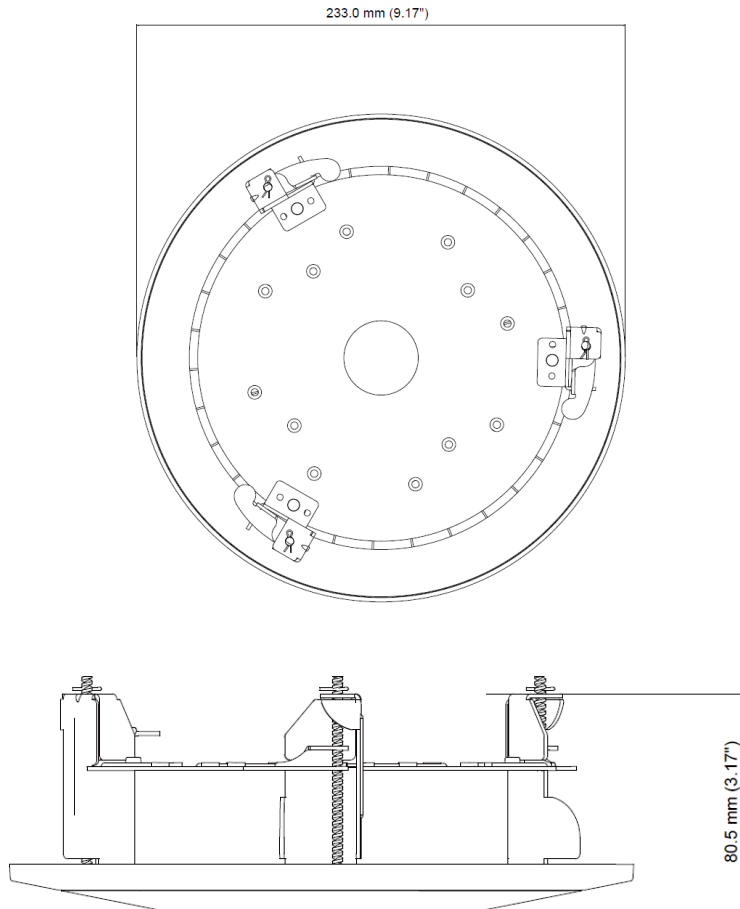
1. GV-Mount925	2. Screw (4 x 10 mm) x 4
3. Drill Template Paster	

---

**Note:** GV-Mount925 is applicable to **GV-GVD4910**.

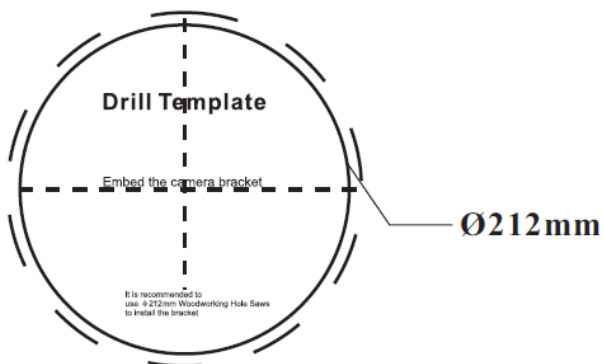
---

## Dimension

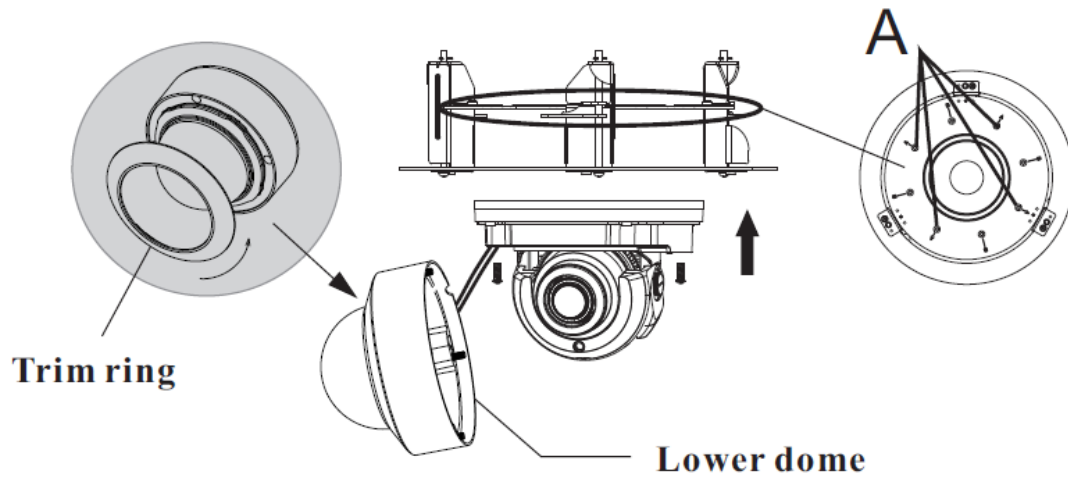


## GV-Mount925 Installation

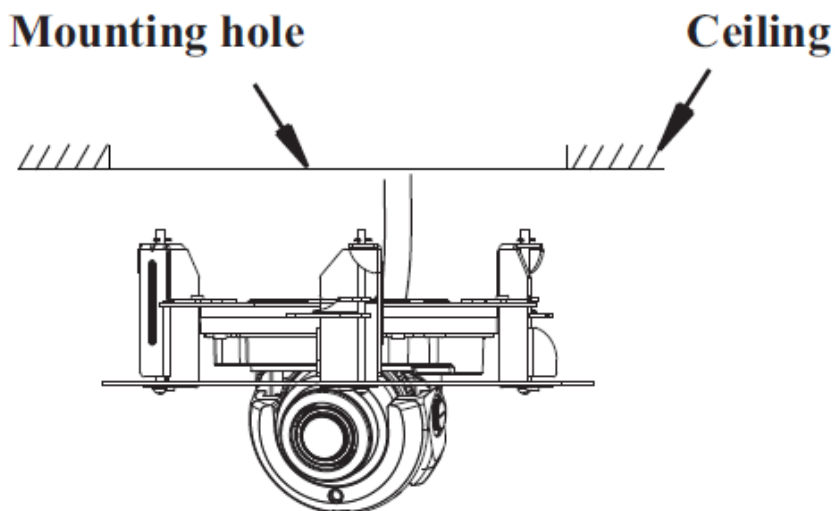
1. Attach the drill template to the ceiling where you want to install the dome camera. Then cut a hole according to the drill template. Note that +2mm of the circle diameter is allowed.



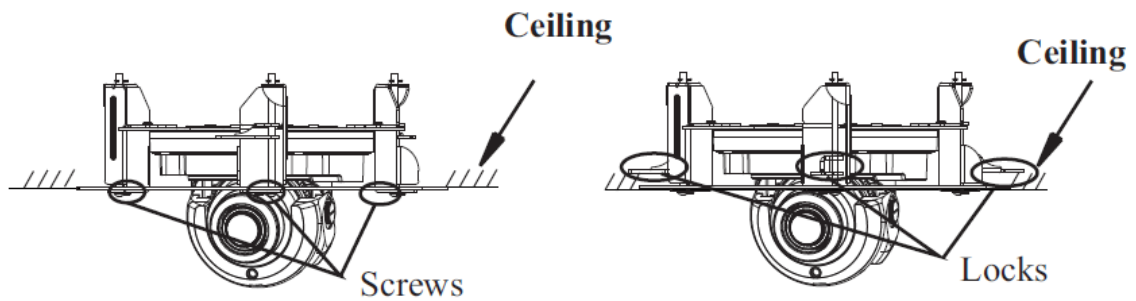
2. Rotate the trim ring anticlockwise to remove it. Then remove the lower dome of the camera by loosening the screws. After that, place the in-ceiling bracket on the dome camera and make sure the screw holes of the dome camera are aligned with the screw holes of the bracket marked with "A". Then fix the camera to the bracket with screws.



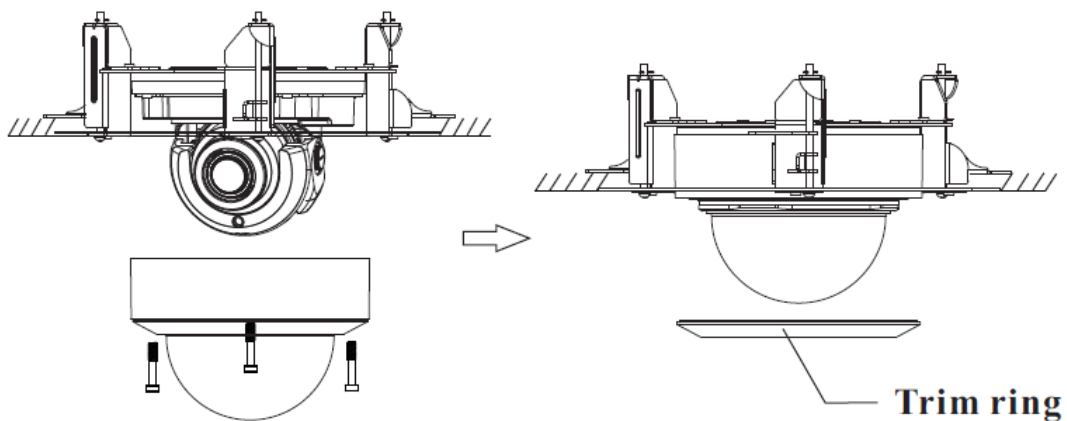
3. Route the cables through the ceiling and connect the cables. Then push the dome camera with the bracket into the mounting hole in the ceiling.



4. Tighten the lock screws with the screwdriver and the locks will automatically rotate outwards to secure the dome camera to the ceiling. Then adjust the view angle of the camera.



5. Install the lower dome back to the camera. Then put the trim ring onto the lower dome and rotate it clockwise until it is locked.



6. Install the magnetic ring of the bracket.

