



## AVR-NSV256E2N AI

NDA  
COMPLIANT



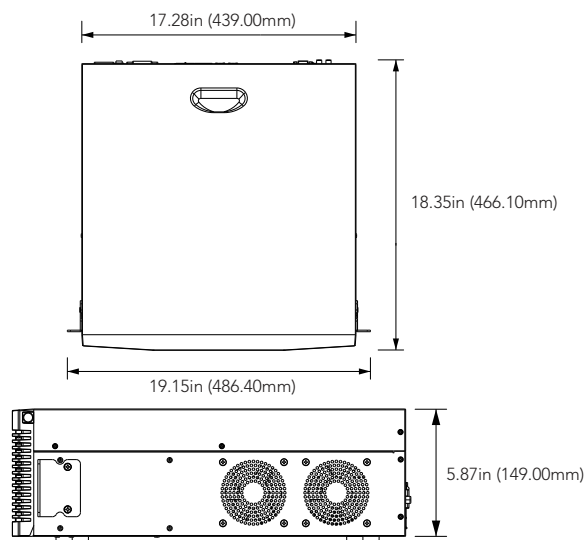
H.265 8K 256 CHANNELS PoE NETWORK VIDEO RECORDER  
12MP / 8MP / 5MP / 3MP / 1080P / 960P / 720P 16 PORT PoE NVR

### OVERVIEW

- H.265+ codec decoding
- Max. 1024Mbps(256CH) input bandwidth
- Up to 8MP(4K) resolution for preview and playback (HDMI 1)
- 4 x HDMI Output: HDMI 1 Main Output, HDMI 2 ~ 4 (SPOT Output)
- Support to install up to 16 HDDs, up to 18TB per drive
- RAID Option: RAID 0, RAID 1, RAID 5, RAID 10
- Full function network remote view via the Internet (CMS,IE/Firefox/Chrome, Mac Safari)
- No limitation on adding devices to CMS, max. 128 channels preview (CMSONE)
- Support scan P2P QR code to connect DVR via Mobile app (AVY Mobile One)
- Support to save pictures/ video to Dropbox storage (Dropbox)
- Support to save pictures/video to FTP server (built by user)
- Support HDD S.M.A.R.T. Monitoring

### DIMENSIONS

Unit : inch(mm)

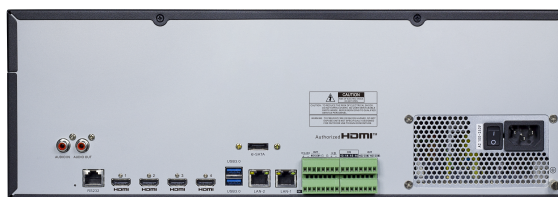


### MOBILE APP

AVYCON ONE



### REAR PANEL



## SPECIFICATIONS

VIDEO	
Video Resolution	12MP, 8MP, 5MP, 3MP, 2MP(1080P), 1.3MP(960P), 1.0MP(720P)
Recording Bandwidth Inputs	1024M
Recording Bandwidth Outputs	800M
PLAYBACK	
Live/Playback: Compression	Audio: G.711a Video : H.264/H.265/H.264+/H.265+
Live/Playback: Frame Rate	4K:240fps 4MP:480fps 2MP:960fps
Live/Playback: Event	MD(Sensitivity Level 1~8) Video loss, Beep, Email, Push notification to Mobile APP
Playback function	Fast forward / backward (2x, 4x, 8x,16x) Slow forward (1/2x, 1/4x, 1/8x, 1/16x)
Playback	Max 16CH playback
RAID Type	RAID0, RAID1, RAID5, RAID6, RAID10
Fisheye	Support
UI/Monitoring: Local	UI5.0
UI/Monitoring: WEB	IE10/11, Safari V12.1 above, Firefox V.52 above, Google chrome V.57 above, Edge V.79 above
Mobile viewer	AVYCON Mobile One
UI/Monitoring: Push Notification	Support
AI Events	Face Detection, Pedestrian Detection, Vehicle Detection, Cross Counting, Heat Map, Crowd Density Detection, Perimeter Intrusion Detection, Line Crossing Detection, Queue Legth Detection, License Plate Detection, Rare Sound Detection
INTERFACE	
P/W Reset	YES
HDMI	HDMI 1: Main Monitor supports up to 64ch Live view HDMI 2: SPOT Monitor supports up to 32ch Live View HDMI 3: SPOT Monitor supports up to 32ch Live View Supported Resolution (7680x4320, 3840x2160, 2560x1440, 1920x1080, 1440x900, 1280x1024, 1280x720, 1024x768/EDID) Async out HDMI 4: SPOT Monitor supports up to 16ch Live ViewSupported Resolution: 1920x1080, 1440x900, 1280x1024, 1280x720, 1024x768/EDID) Async out Note: If the output resolution of HDMI 1 is set to 8K, the maximum output resolution of HDMI 3 and 4 will be limited to 1080P, and HDMI 2 will be disabled.
HDD	16 SATA HDD, up to 18TB (Enterprise-Class)
SYSTEM	
Ethernet	2 RJ45 1000 Base-T
USB	USB2.0*1 (front) USB3.0*2 (rear)
Audio out	1
E-sata	1
Line in	1
RS232	1*RJ45
RS485	1
Alarm Input/out	16in / 4out
GENERAL	
OSD Language	English/French/Spanish/Portuguese/German/Italian/Greek/Danish/Finnish/Russia/ Hebrew/Turkish/Bulgarian/Arabic/Korean/Japanese/ Thai/Hindi/Romanian/Dutch/Polish
Dimension (WxDxH)	17.3 x 18.1 x 5.8 Inch (440x460x149mm)
Input Voltage/Current	ATX 250W
Power consumption	8W
Operating Temperature /Humidity	Temperature: 14°F ~ 122°F (-10°C~+50°C), Humidity : Less than 90%RH

## HDD OPTIONS

- 4TB HDD: AVR-NSV256E2N-4T
- 6TB HDD: AVR-NSV256E2N-6T
- 8TB HDD: AVR-NSV256E2N-8T
- 10TB HDD: AVR-NSV256E2N-10T
- 12TB HDD: AVR-NSV256E2N-12T
- 14TB HDD: AVR-NSV256E2N-14T
- 18TB HDD: AVR-NSV256E2N-18T
- 24TB HDD: AVR-NSV256E2N-24T
- 28TB HDD: AVR-NSV256E2N-28T
- 36TB HDD: AVR-NSV256E2N-36T
- 48TB HDD: AVR-NSV256E2N-48T
- 56TB HDD: AVR-NSV256E2N-56T
- 72TB HDD: AVR-NSV256E2N-72T
- 96TB HDD: AVR-NSV256E2N-96T
- 112TB HDD: AVR-NSV256E2N-112T
- 144TB HDD: AVR-NSV256E2N-144T
- 180TB HDD: AVR-NSV256E2N-180T
- 216TB HDD: AVR-NSV256E2N-216T
- 252TB HDD: AVR-NSV256E2N-252T
- 288TB HDD: AVR-NSV256E2N-288T