

GV-GVD4910 Cloud AI 4MP H.265 4.3x Zoom Super Low Lux WDR Pro

IR Vandal Proof IP Dome



- Direct-to-Cloud
- AI deep learning: AI Perimeter Protection & Classification (Human, Vehicle)
- 1/3" progressive scan CMOS
- Min. illumination at 0.003 lux
- Triple streams from H.265, H.264 and MJPEG
- Up to 30 fps at 2592 x 1520
- Intelligent IR
- IR distance up to 50 m (165 ft)
- Day and Night function (with removable IR-cut filter)
- Ingress protection (IP67)
- Vandal resistance (IK10 for metal casing)
- 3-axis mechanism (pan / tilt / rotate)
- DC 12V / PoE (IEEE 802.3af)
- Built-in micro SD card slot (SDHC / SDXC / UHS-I, Class 10) for local storage
- Two-way audio capable
- Built in microphone
- Wide Dynamic Range Pro (WDR Pro)
- Defog
- GV-Center V2 connection
- AI analytics (Line Crossing, Region Entrance, Region Exiting, Region Intrusion, Target Counting, Heat Map, Loitering Detection, Illegal Parking Detection, Face Detection, Video Metadata)
- Motion detection
- Text overlay
- Privacy mask
- 19 languages supported
- ONVIF (Profile G, S, T, M) conformant

Introduction

GV-GVD4910 is an outdoor vandal proof IP dome camera equipped with automatic IR-cut filter and IR LEDs for day and night surveillance. The camera supports H.265 video codec to achieve better compression ratio while maintaining high quality pictures at reduced network bandwidth. GV-GVD4910 adheres to IP67 and IK10 standards, and can be powered through PoE.

Empowered by deep learning algorithms, AI technology distinguishes human and vehicles from other moving objects. When integrated with GeoVision Video Management Software (VMS), it supports AI perimeter protection, real time alert, events playback and more. By connecting the camera to the cloud-based data center and video surveillance solution, GV-Cloud VMS, thousands of on-site videos, alarm devices, and AI events can be monitored and managed from a single platform.

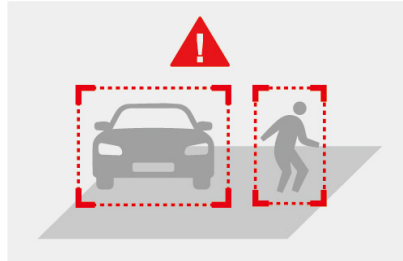
Deep Learning Function

Face Detection

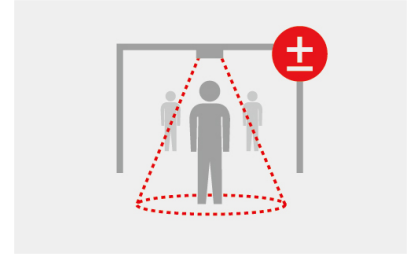


AI Perimeter Protection

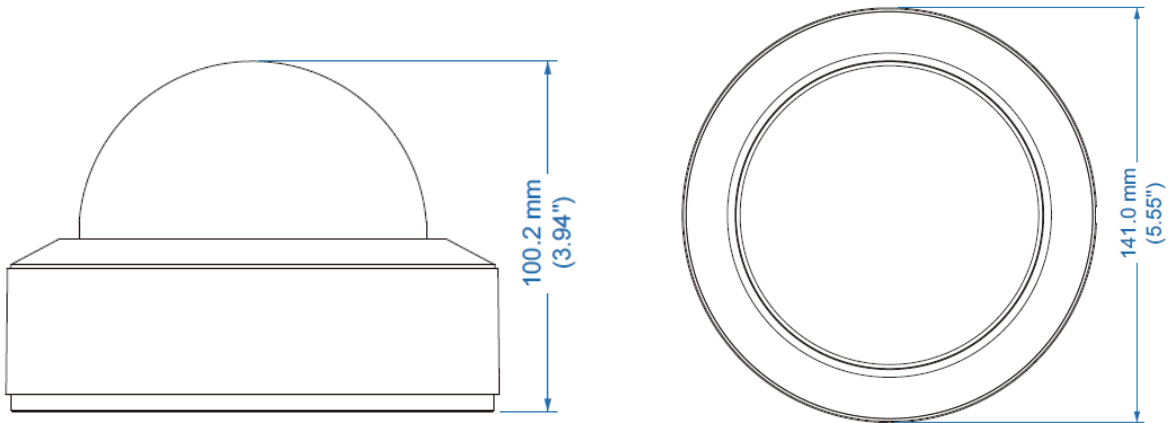
(Region Intrusion, Line Crossing, Region Entrance, Region Exiting)



People Counting



Dimensions



Specifications

Camera		
Image Sensor	1/3" progressive scan CMOS	
Picture Elements	2592 (H) x 1520 (V)	
Minimum Illumination	Color	0.003 Lux (F1.3, AGC ON)
	IR On	0 Lux
Shutter Speed	Automatic, Manual (1/3 ~ 1/100000 sec)	
White Balance	Automatic, Manual	
Gain Control	Automatic, Manual	
S/N Ratio	50 dB	
WDR Pro	Yes	
Dynamic Range	120 dB	
Lens		
Megapixel	4 MP	
Day/Night	Yes (with removable IR-cut filter)	
Focal Length	2.8-12 mm	
Lens Type	Motorized	
Maximum Aperture	F/1.3	
Mount	Ø14	
Horizontal FOV	100° - 28.9°	

Operation	Focus	Auto / Manual			
	Zoom	4.3x			
	Iris	DC			
IR LED Quantity		3 IR LEDs			
Max. IR Distance		50 m (165 ft)			
DORI		Detect	Observe	Recognize	Identify
Lens	2.8-12 mm (W)	58.9 m (193.2 ft)	23.5 m (77.0 ft)	11.7 m (38.3 ft)	5.8 m (19.0 ft)
	2.8-12 mm (T)	205.9 m (675.5 ft)	82.4 m (270.3 ft)	41.2 m (135.1 ft)	20.6 m (67.5 ft)
Operation					
Video Compression		H.265, H.265+, H.264, H.264+, MJPEG			
Video Streaming		Triple streams			
Video Resolution	Main Stream	2592 x 1520 (Default), 2560 x 1440, 2304 x 1296, 1920 x 1080			
	Sub Stream	1280 x 720 (Default), 704 x 576, 704 x 480, 640 x 480, 640 x 360, 480 x 240, 352 x 288, 352 x 240			
	Third Stream	1280 x 720 (Default), 704 x 576, 704 x 480, 480 x 240, 352 x 288, 352 x 240			
Frame Rate		30 fps at 2592 x 1520 / 2560 x 1440 / 2304 x 1296 / 1920 x 1080 / 1280 x 720 / 704 x 480 / 640 x 480 / 640 x 360 / 480 x 240 / 352 x 240 (60 Hz) 25 fps at 2592 x 1520 / 2560 x 1440, / 2304 x 1296 / 1920 x 1080 / 1280 x 720 / 704 x 576 / 640 x 480 / 640 x 360 / 480 x 240 / 352 x 288 (50 Hz) *The frame rate and performance may vary depending on the number of connections and data bitrates (different scenes).			
Video Analytics		Motion Detection, Object Abandoned / Missing Detection			
Smart Alarm		Motion Detection, SD Card Error, SD Card Full, IP Address Conflict, Cable Disconnection, Scene Change Detection, Video Blur Detection, Video Cast Detection, Audio Exception			
Image Setting		Brightness, Contrast, Saturation, Sharpness, Flicker-less, 3D Noise Reduction, Image Orientation (Flip, Mirror, 0°, 90°, 180°, 270°-including Corridor format).			
Dual Redundant Images		Yes (for failsafe firmware upgrade)			
Audio Compression		G.711			
Audio Support		Two-way audio (external speaker required)			
Digital I/O	Input	1 Input, dry contact, NO / NC			
	Output	1 Relay Output (1A 30V DC / 0.3A 125V AC)			
Deep Learning Function					
AI Analytics		Face Event: Face Detection Smart Event: - Line Crossing, Region Entrance, Region Exiting, Region Intrusion, Target Counting, Heat Map, Video Metadata: Human & Vehicle classification - Loitering Detection, Illegal Parking Detection *A maximum of 2 smart detection functions are suggested at a time to ensure comprehensive detection results and the optimized performance by the camera. *Once connected to GV-Cloud VMS / GV-Center V2, up to 2 smart detection functions are supported.			
Network					
Interface		10/100 Ethernet			
Protocol		802.1x, DDNS, DHCP, FTP, HTTP POST, HTTP, HTTPs, IPv4, IPv6, NTP, ONVIF (Profile G, S, T, M), PPPoE, QoS, RTCP, RTMP, RTP, RTSP, SMTP, SNMP, UDP, UPnP			
Mechanical					
Camera Angle Adjustment	Pan	0 ~ 345°			
	Tilt	0 ~ 77°			
	Rotate	0 ~ 345°			
Connectors	Power	DC jack (DC 12 V, 1.25 A), PoE			
	Ethernet	RJ-45			
	Audio	1 In (Built-in microphone, external speaker required with power supply) 1 Out (stereo phone jack, 3.5 mm / 0.14")			
	Video Output	CVBS output (BNC connector x 1)			
	Digital I/O	4-pin terminal block pitch 3.5 mm (0.14")			
Local Storage		Micro SD card slot (SDHC / SDXC / UHS-I, Class 10) * UHS-II card type is not supported.			

General	
Operating Temperature	-30~ 60°C (-22 ~ 140°F)
Humidity	0 ~ 95% (no condensation)
Power Source	12 V DC / PoE (IEEE802.3af)
Max. Power Consumption	9 W
Dimensions	Ø141 x 100.2 mm (Ø5.55 x 3.94")
Weight	0.93 kg (2.05 lb)
Ingress Protection	IP67
Vandal Resistance	IK10 for metal casing
Certification	CE, FCC, RoHS, UKCA compliant
Web Interface	
Installation Management	Web-based configuration
Maintenance	Firmware upgrade through Web Browser or Utility
Access from Web Browser	Live View, Playback, Video Recording, Image Quality, Bandwidth Control, Image Snapshot, Digital Zoom, Text Overlay, Image Masking, Intelligent Mark
Language	Hungarian, English, Spanish, Spanish (LA), Italian, Portuguese, Russian, Polish, Romanian, Hebrew, German, French, Dutch, Norwegian, Czech, Turkish, Japanese, Korean, Chinese Traditional
Software Applications	
Software Supported	GV-VMS (V17.4.7 or later, V18.3.2 or later), GV-Edge Recording Manager (V2.2.7 or later), GV-Control Center (V4.2.0 or later), GV-Recording Server (V2.1.1 or later), GV-Cloud VMS (V1.1.0 or later) , GV-Center V2 (V18.4.1 or later)
Smart Device Access	GV-Eye for iOS and Android (V3.1.1 or later)
Live Viewing	Web Browser (IE, Edge, Chrome, Firefox, Safari), Mobile App

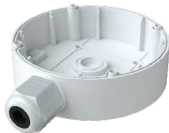


Note:

1. When connecting to GV-Cloud VMS, avoid connecting to other GV-Software at the same time.
2. Industrial-grade microSD cards are recommended to avoid event recordings writing failure.
3. All specifications are subject to change without notice.

Packing List

- | | |
|---------------------------|--------------------------|
| 1. GV-GVD4910 Vandal Dome | 5. Drill Template Paster |
| 2. Rubber Plug | 6. Hex Key |
| 3. Screw Kit | 7. Download Guide |
| 4. CVBS & DC IN Cables | |

Accessories

Model No.	Name	Details
GV-Mount510	Junction Box	Dimensions: 139.3 x 42mm (5.48" x 1.65") Weight: 0.36kg (0.79lb) 
GV-Mount925	In-Ceiling Mounting Bracket	Dimensions: 233 x 80.5mm (9.17" x 3.17") Weight: 0.704kg (1.55lb) 
GV-PA191	PoE Adapter	GV-PA191 is a Power over Ethernet (PoE) adapter designed to provide power to the IP device through a single Ethernet cable. 

GV-PA301

Gigabit PoE Adapter



GV-PA301 is a Gigabit Power over Ethernet (PoE) adapter.

GV-POE Switch

GV-POE Switch is designed to provide power along with network connection for IP devices. The GV-POE Switch is available in various models with different numbers and types of ports.

Power Adapter

Contact our sales representatives for the countries and areas supported.
