

Turing Specialty 5MPx4 Multisensor Camera

TF-AMS5AV2E



The Turing TF-AMS5AV2E is a versatile multisensor camera perfect for open areas. Four cameras can be adjusted to look at different angles from within the same housing.

KEY FEATURES

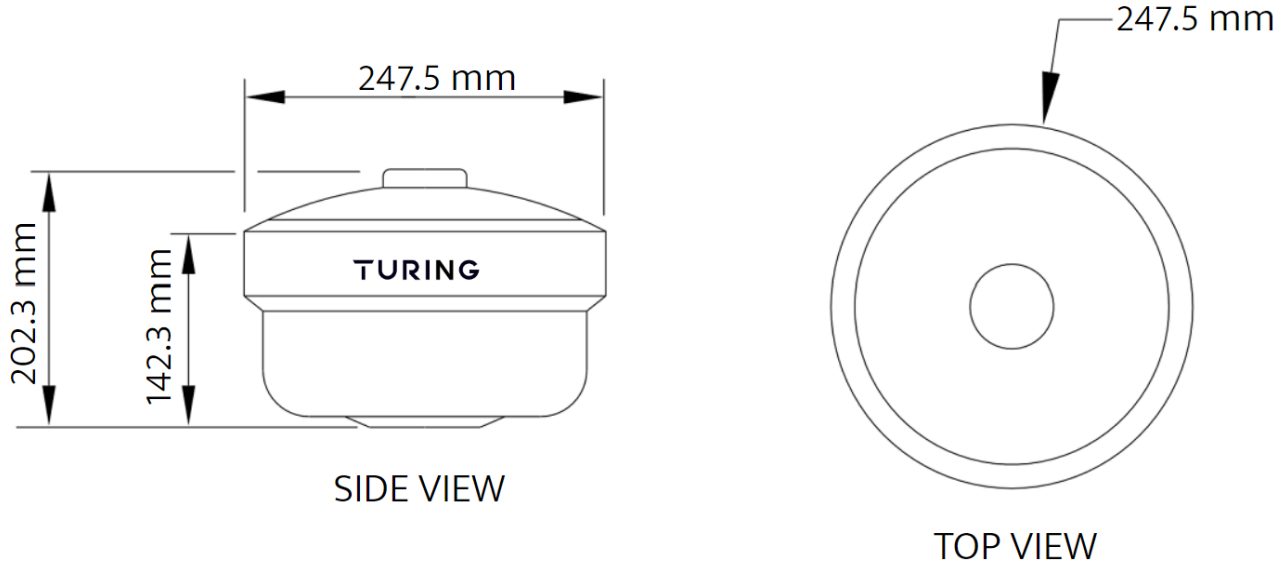
- 5MP x 4 independently adjustable sensors
- 2.7-13.5mm motorized zoom lens
- Manual pan and tilt adjustment with image rotation
- Built-in surround IR LED for improved low light
- Includes 1.5" threaded pendant cap
- IP66 water resistance, IK10 vandal resistance
- Connects to TURING VISION® cloud VMS via Turing Smart Series NVR



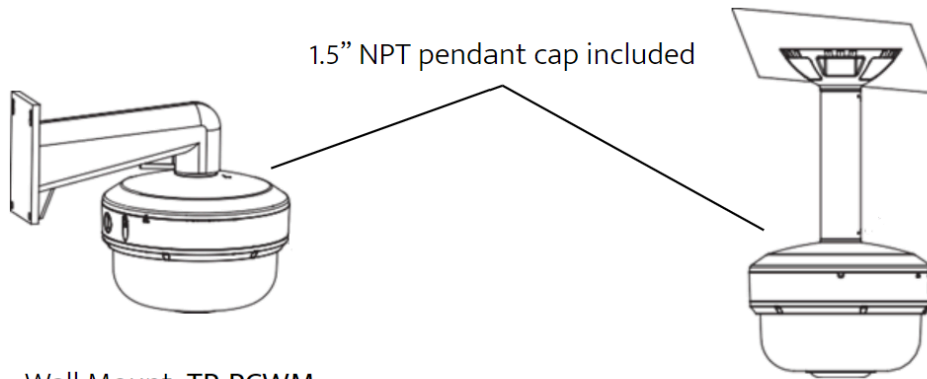
SPECIFICATIONS

MODEL NUMBER	TF-AMS5AV2E
TURING VISION® SUPPORT	
TURING VISION® Cloud VMS	Basic License Included
Prerequisites	Turing SMART Series NVR & bridge
Essential and CORE AI License	Supported
VIDEO & AUDIO	
Image sensor	1/2.8" 5MP x4 CMOS progressive sensors, 20MP combined
Lens	Focal Length: 4 Motorized Lens 2.7~13.5mm F1.4; Angles of view: H: 107°, V: 77°, D:145°
Max Resolution & Frame Rate	Main Stream: Max 2592x1944 (4:3 aspect ratio) @ 30 FPS; Default 2560x1440 (16:9 aspect ratio) @ 15 FPS Sub Stream: Max 1920x1080 @ 30 FPS; Default 1280x720 @ 15 FPS Third Stream: Max 640x480 @ 30 FPS; Default 15 FPS
Minimum Illumination	0.04 lux @F1.2, 1/30s;
IR LED	Smart IR Range: Max 40M (131ft) surround; Wave Length: 850nm
Shutter	Auto / Manual 1/7~1/20000 s
Image Processing	WDR: 120 dB; White Balance: Auto/Manual; Image Rotation: Flip, Mirror, 90° Rotation
Pan & Tilt Adjustment	Manually adjusted: Pan 360°, Tilt 90°, Rotation ±90°
Video Encoding	H.265 / H.264 / M-JPEG
Audio Compression	G.711, 64 Kbps, 8KHz, audio suppression
Input/Output	Audio In: 1; Audio Out: 1; Alarm In: 1; Alarm Out: 1
Events	Motion detection, Human and vehicle detection available
NETWORK ACCESSIBILITY & SECURITY	
Protocols	TCP/IP, UDP, ICMP, IPv4, IPv6, SNMP v2c/v3, QoS, HTTP, HTTPS, SSL, SMTP, FTP, RTSP, UPnP, DNS, NTP, RTP, RTCP, DynDNS
Compatible Integration	ONVIF (Profile S/G/T/M)
User/Host	Live Viewing/Administrator for up to 10 clients
Network	1 RJ45 10/100/1000M Base-TX Auto-adaptive Ethernet
GENERAL	
Certifications & Environmental	CE/FCC; IP66, IK10
Power	24V DC, 24V AC, PoE+ Class 4 (IEEE 802.3at); Max. 25.5W
Dimensions & Weight	Ø 247.5 mm x 142.3 mm (Φ9.75" x 5.60"); 3.4kg (7.5lb)
Working Environment	-40°C ~ 55°C (-40°F ~ 131°F)(IR OFF), Humidity: ≤90% RH (non-condensing)
Storage Environment	40°C ~ 60°C (-40°F ~ 140°F), Humidity: ≤90% RH (non-condensing)
Reset Button	Present
Local Storage	2x microSD slots (reserved), up to 1TB

DIMENSIONS



MOUNTING ACCESSORIES



Wall Mount: TP-PCWM

Junction Box (Optional): TP-PCJB

Pole Mount (Optional): TP-PCPLM

Corner Mount (Optional): TP-PCCM

*TP-PCPLM & TP-PCCM can be used with or without TP-PCJB

Pendant Mount Base 200mm: TP-PCPDMB
Pendant Extension 200mm (Optional): TP-PCPDM2
Pendant Extension 500mm (Optional): TP-PCPDM5

Parapet Mount (Not Shown): TP-PCPRM