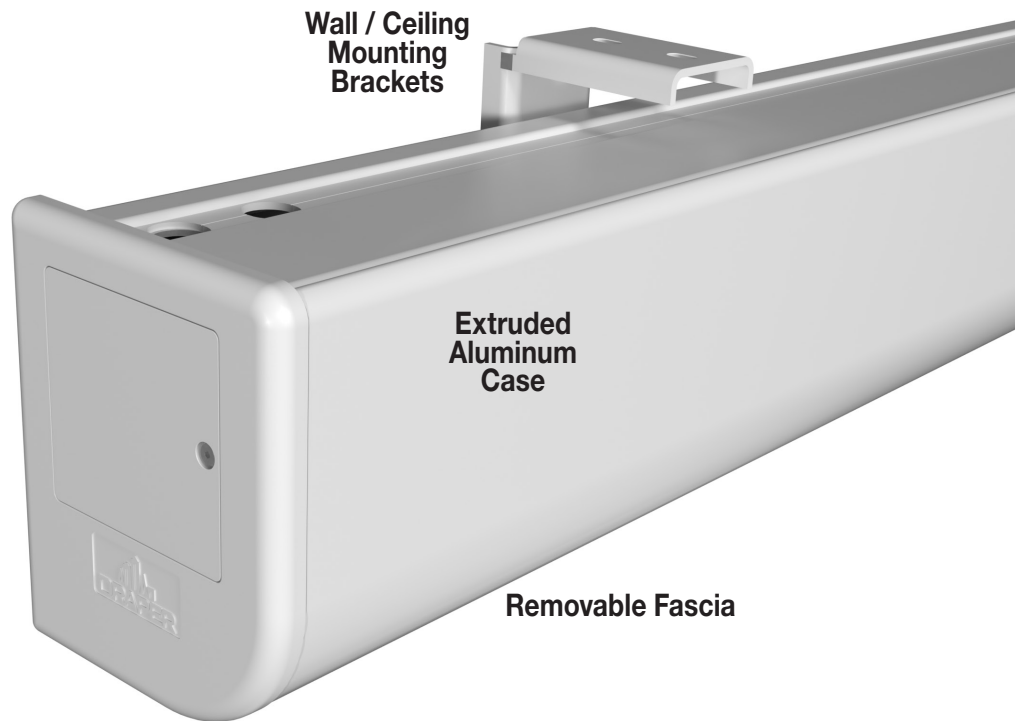


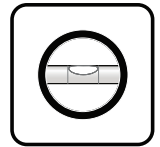
#### Overview - Components



#### TOOLS REQUIRED



PENCIL



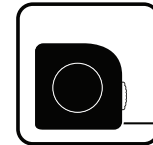
LEVEL



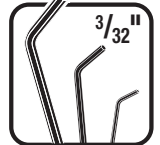
POWER DRILL



HARDWARE (by others)



TAPE MEASURE



HEX WRENCH

#### ⚠ CAUTION ⚠

**Read and understand all warnings before beginning installation.**

#### PLEASE READ - Safety Information

##### Important Safety Information



## WARNING

##### Important Safety Information

**Improper installation and use of the Acumen screen can result in serious injury or death. Primarily, injuries can occur if the unit falls due to imprecise installation, mishandling of the unit during installation, or installation on an insufficient wall or ceiling structure. Please use extreme care.**

1. Please read the following installation guidelines thoroughly and follow them carefully. Failure to do so may cause product to fall or otherwise fail, and could result in serious injury.
2. Installation and calibration of the unit should only be performed by an authorized, qualified, and experienced professional.
3. Do not affix the unit to walls or ceilings that have inadequate strength to permanently hold the unit during use. It is the owner's and installer's responsibility to confirm the wall or ceiling to which the unit attaches is sufficient to permanently hold the weight and stress loads of the unit at all times. Draper, Inc., is not responsible for improper installation, application, testing, or workmanship related to the product at place of installation.
4. It is the installer's responsibility to make sure appropriate fasteners are used for mounting.
5. All hardware must be installed level. Unit must be level and square.
6. Never leave the area while operating the unit during installation, maintenance, or normal operation, unless it is secure and safe.
7. Before testing or operation, carefully inspect the entire area and path (*especially underneath*) of unit to be sure no persons or objects are in the area.
8. During testing or operation, carefully watch the surrounding area for any potential safety concerns including nearby persons or objects.
9. After installation, the entire system, including all sensors, should be carefully tested to ensure safe and normal operation. Extreme care should be taken during testing to remain clear of moving parts to avoid possible injury.
10. Operation of unit should be performed only by authorized and qualified personnel, who have been trained in its safe and effective operation and understand its safety features.
11. The safety features of the unit should never be disabled, bypassed, or overridden. The system should not be operated until all safety features are properly and completely installed, calibrated, and tested.
12. Unit may need to comply with local, state, or district rules and regulations, in particular when installed in schools. All applicable rules and regulations should be reviewed before installation and use.
13. **Failure to precisely follow installation guidelines invalidates all warranties.**
14. Custom products/installations may not be reflected in this manual. Call Draper, Inc., if you have questions about the installation of custom products or any questions about your installation.

#### Before Beginning Installation

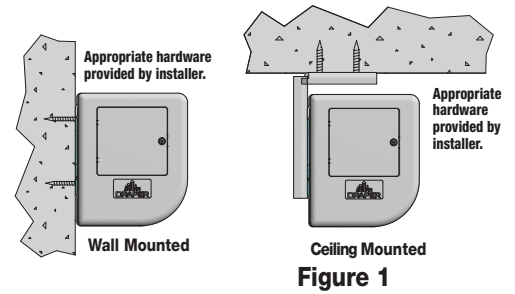
1. Look for any job site conditions that could interfere with installation or operation of the system.
2. Read carefully and be sure to understand all installation instructions and all related operations manuals. These instructions are intended to serve as a guide for the installer and owner. They should be followed closely and combined with the expertise of experienced qualified installers. Draper, Inc., is not responsible for improper installation, application, testing, or workmanship related to the product at place of installation. Please retain all instructions for future use.
3. Open cartons lengthwise.
4. Locate and lay out all pieces.
5. Inspect all boxes to make sure you have received the proper unit and parts. Controls may be shipped separately, or in same carton as unit.
6. If you have any difficulties with installing, servicing, or operating your unit, call your dealer or Draper, Inc., 765-987-7999.

If you have any difficulties installing or servicing your Acumen, call your dealer or Draper, Inc.

## Section 1 - Hanging Screen

### Section 1.1 - General:

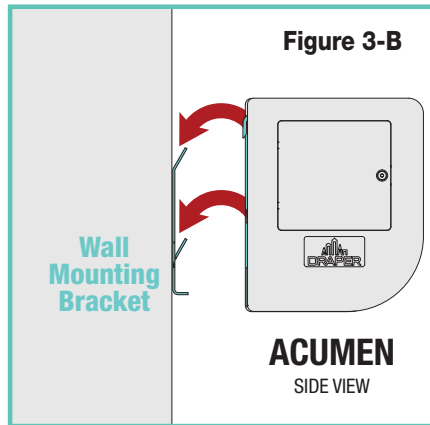
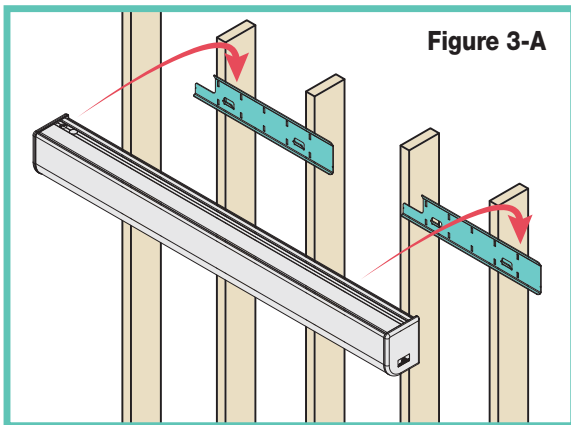
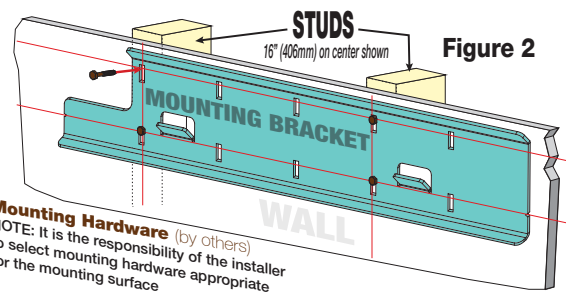
1. **Wall Mounting Brackets** (minimum of 2) must be attached to the case regardless of mounting method.
2. Screen should be lifted into position only by case end caps. Keep case level by lifting case end caps simultaneously to prevent surface damage. Never attempt to lift screen along its length.
3. When locating viewing surface and checking clearance for screen's operation, remember surface is centered in case. Handle case carefully to protect its finish.
4. Regardless of mounting method, screen should be positively and securely supported so that vibration or even abusive pulling on viewing surface will not cause case to loosen or fall. Installer must ensure that fasteners used are of adequate strength and suitable for mounting surface chosen.



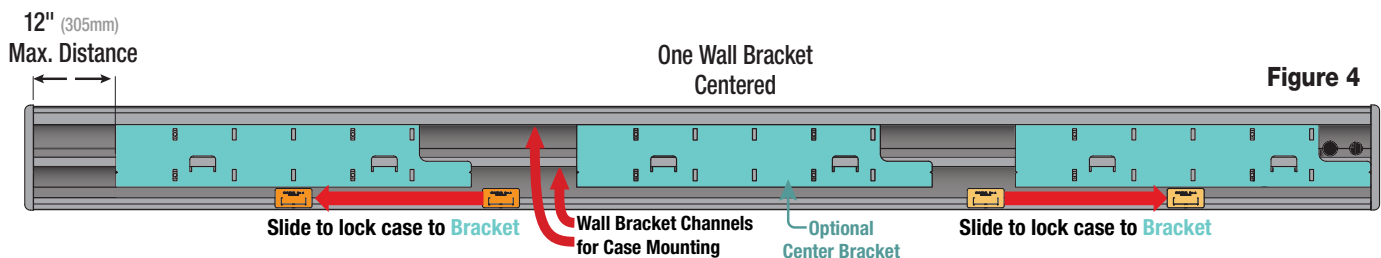
## REFER TO DIAGRAM ON LAST PAGE OF MANUAL FOR WALL BRACKET DIMENSIONS

### Section 1.2 - Wall Installation:

1. Secure the Mounting Brackets (minimum of 2) to the wall using appropriate hardware (by others).
- CAUTION:** Product is very heavy: Installer must provide adequate attachment hardware and anchors as required. Installer must also ensure that structure is of adequate strength.
2. Ensure that **mounting brackets** are level.
  3. Slide all **Bracket Locks** to the center of case.



4. Holding the case by the endcaps, lift it up and over the cleats on the **mounting brackets** (see Fig. 3). **Wall Bracket Mounting Channels** are shown in Fig. 4 below.



5. Once the case is settled on the mounting brackets, slide the **Bracket Locks** to the center of each **mounting bracket** (see Fig. 4) and secure set screw on the lock.

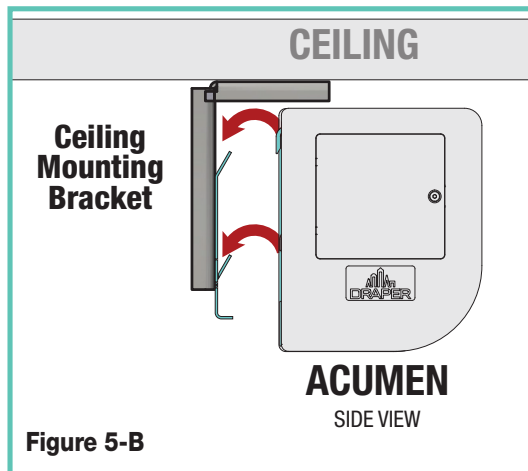
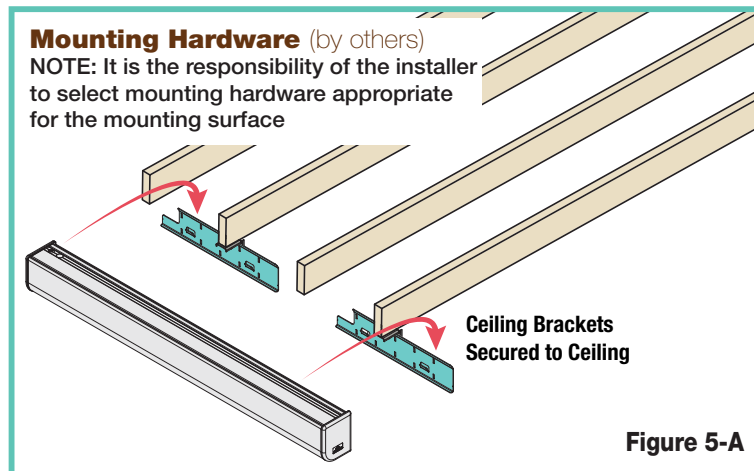
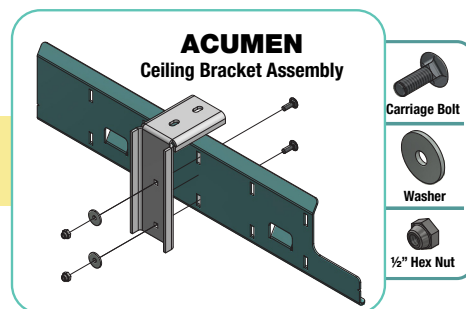
## Section 1.3 - Ceiling Installation:

1. Attach Ceiling Brackets to Mounting Brackets using the provided hardware (see figure at right).
2. Secure the Ceiling Brackets to the ceiling using appropriate hardware (by others).

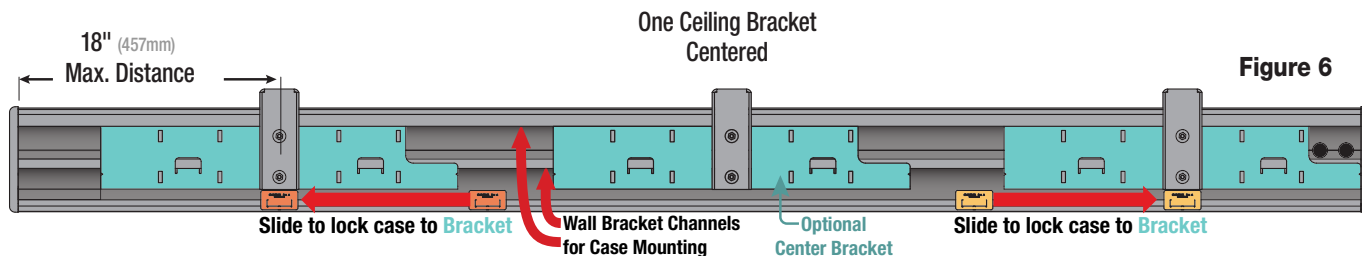
**CAUTION:** Product is very heavy:  
 Installer must provide adequate attachment hardware and anchors as required.  
 Installer must also ensure that structure is of adequate strength

3. Ensure that mounting brackets are level.
4. Slide all Bracket Locks to the center of the case.

## Ceiling Bracket Assembly



5. Holding the case by the endcaps, lift it up and over the cleats on the mounting brackets (see Fig. 5). Wall Bracket Mounting Channels are shown in Fig. 6 below.



6. Once the case is settled on the mounting brackets, slide the Bracket Locks to the center of each mounting bracket (see Fig. 6) and secure set screw on the lock.

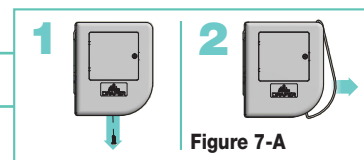
## Section 2- Operation

- To lower screen:** pull screen down to desired position. Hesitate—then allow screen to slightly retract very slowly until it locks in place.
- To raise screen:** pull down on the pull bail, then raise quickly, as a window shade. Keep control of the picture surface. Do not allow it to roll uncontrolled into the case, or damage is sure to result.

## Section 3- Fascia Removal

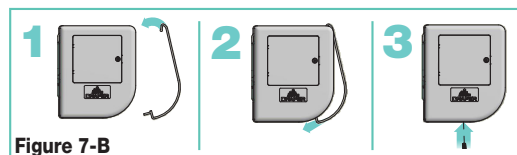
### To remove fascia:

1. Remove the screws from bottom from lip at each end of the fascia using 3/32" hex wrench.
2. Lift fascia off of the top lip of the case spine extrusion.

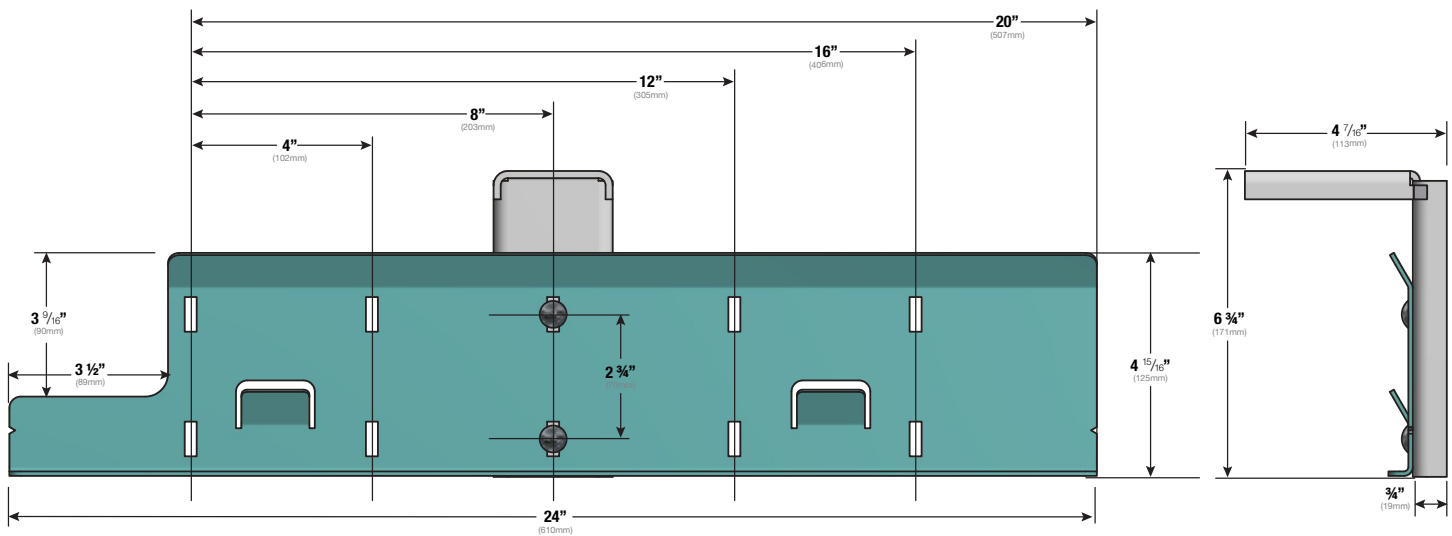
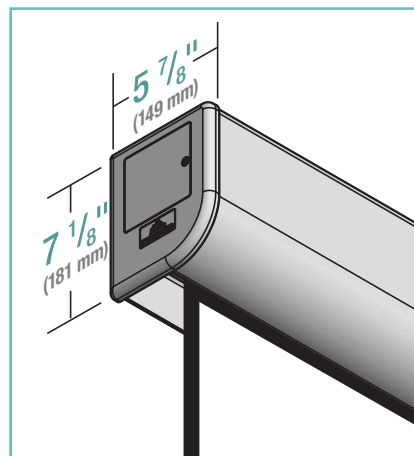
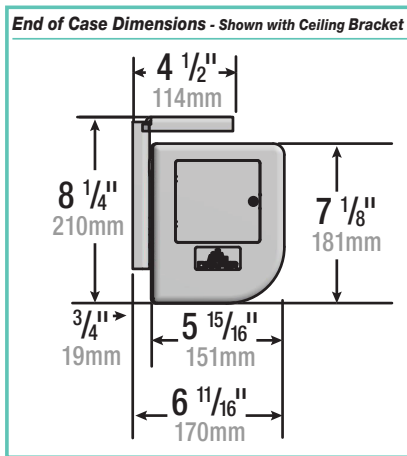
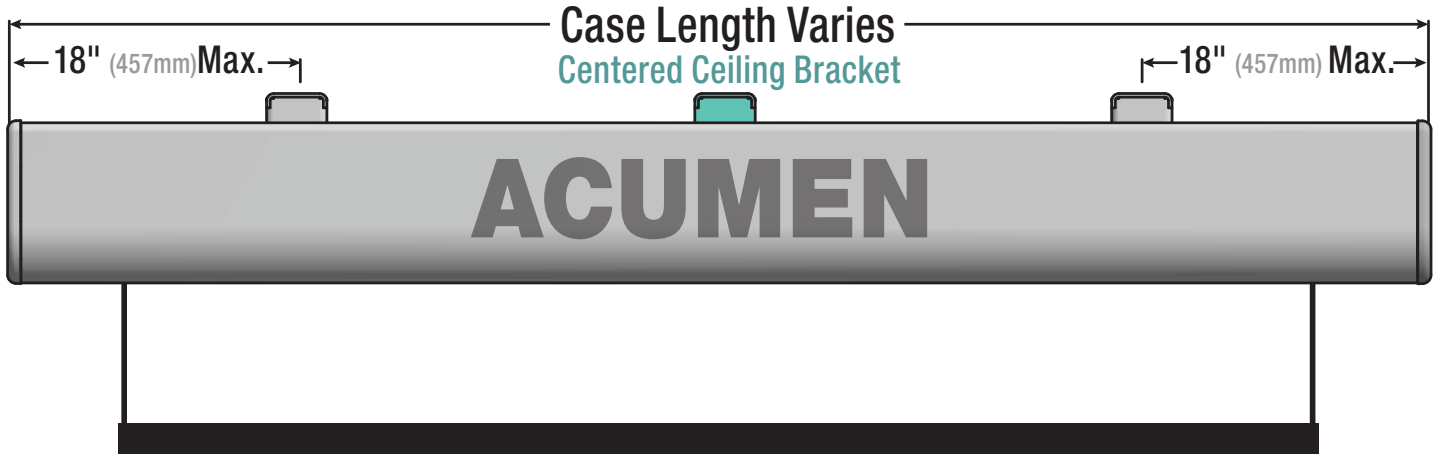


### To install fascia:

1. Hook the top lip of fascia over the top lip of spine extrusion.
2. Push bottom edge of fascia towards the case spine.
3. Align holes in fascia with end cap holes and screw in the attachment screw using 3/32" hex wrench.



## Section 4 - Dimensions



### Mounting Hardware (by others)

**NOTE:** It is the responsibility of the installer to select mounting hardware appropriate for the mounting surface.