

Dante 2-Channel XLR Wall-Plate, White

User Manual 500558-WH



Table of Contents

1. Safety Precautions.....	3
2. Introduction.....	4
3. Features.....	4
4. Package Contents.....	4
5. Specifications.....	5
6. Installation.....	5
7. Operation and Control Functions.....	6
8. Application Diagram.....	7

1. Safety Precautions

To ensure the best performance from the product, please read all instructions carefully before using the device. Save this manual for future reference.

- Follow basic safety precautions to reduce the risk of fire, electrical shock, and injury.
- Do not dismantle the housing or modify the module. It may result in electrical shock or burns.
- Do not open or remove the housing of the device as you may be exposed to dangerous voltage or other hazards.
- To prevent fire or shock hazard, do not expose the unit to rain, moisture and do not install this product near water. Keep the product away from liquids.
- Spillage into the housing may result in fire, electrical shock, or equipment damage. If an object or liquid falls or spills on the housing, unplug the module immediately.
- Do not use liquid or aerosol cleaners to clean this unit. Always unplug the power to the device before cleaning.
- Using supplies or parts not meeting the product specifications may cause damage, deterioration or malfunction.
- Refer all servicing to qualified service personnel.
- Install the device in a place with adequate ventilation to avoid damage caused by overheat.
- Unplug the power when left unused for a long period of time.
- Information on disposal of devices: do not burn or mix with general household waste, please treat them as normal electrical waste.

Copyright Notice

All contents in this manual are copyrighted, and cannot be cloned, copied, or translated without the express permission of MuxLab Inc. Product specifications and information in this document are for reference only, and the content may be updated from time to time without prior notice.

2. Introduction

The Dante 2-Channel XLR Wall-Plate (Model 500558) permits non-Dante compatible analog audio equipment to interface with Dante compatible professional audio equipment. The unit allows the transmission of full-range (20Hz to 20KHz) balanced two channel analog audio signals on XLR over the network to Dante equipment. It is powered using the PoE from any PoE network switch. The Dante 2 channel XLR Wall-Plate is designed to be compatible with standard double gang US wall boxes.

3. Features

- Interface analog audio equipment to Dante audio equipment
- Supports balanced 2ch XLR analog audio input and 2ch XLR analog output.
- Audio sampling rate supports 48kHz (24bit)
- Analog input with phantom power supply switch and gain manual adjustment knob.
- Power supply and audio transmission integrated in one cable
- Designed to be compatible with standard double gang US electrical wall boxes.
- Shows the connection status through LED indicator light
- Supports AES67 RTP audio transport
- Supports PoE (IEEE802.3af)

4. Package Contents

- One (1) Dante 2-channel XLR Wall-Plate
- One (1) Standard type 120 wall box
- One (1) Screwdriver
- One (1) User manual (available via download)

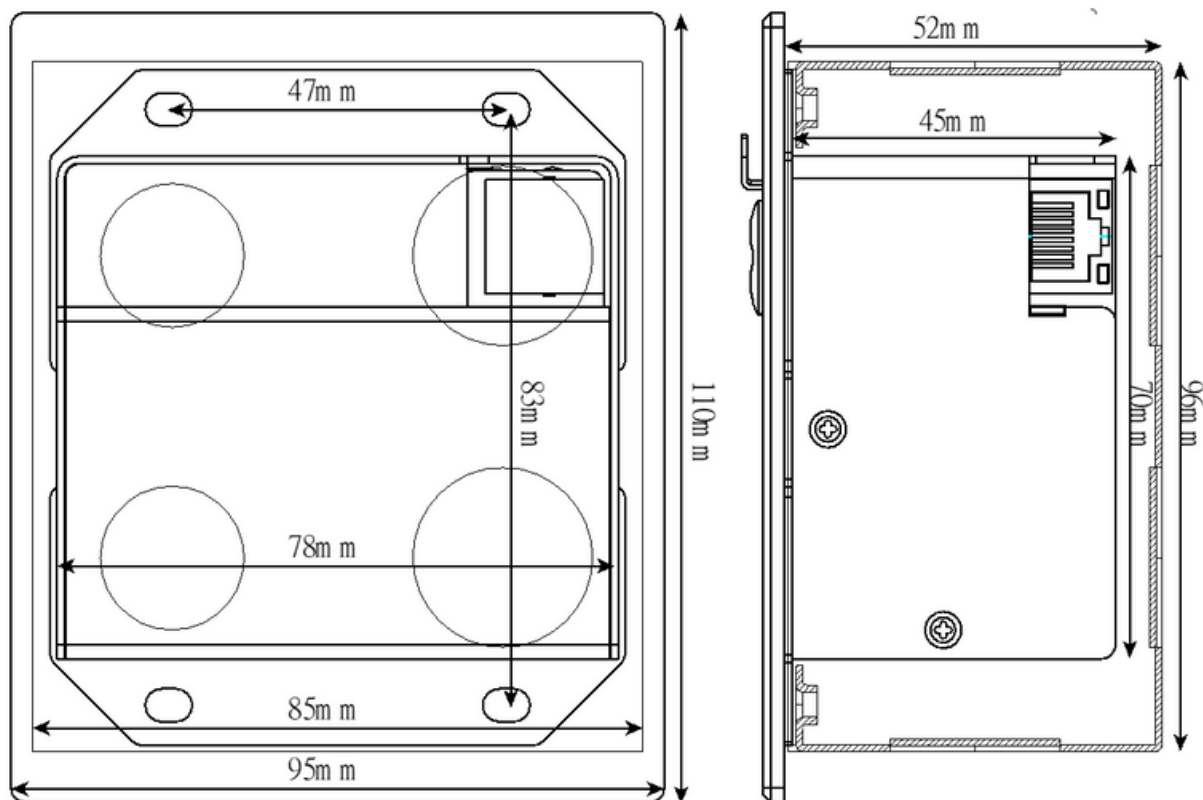
Notes: Confirm that the product and accessories are all included. If not, please contact the supplier from which you purchased the unit.

5. Specifications

Specification	
XLR Input	Balance 20K Ohm
XLR Output	Balance 100 Ohm
Dante interface	RJ45 interface, with PoE
Frequency response	20Hz-20kHz
Sampling rate	48kHz 24bit
Floor noise	-90dB
Channel Isolation	100dB @ 1kHz
Form Factor	2 Gang US
Power consumption	2W
THD + N	<0.005% @4dBu
Operating temperature	0°C ~ +40°C
Dimensions (LxWxH)	123.5mm × 79mm × 35mm
Net Weight	156g
Warranty	2 years
Order Information	500558-WH Dante 2-Channel XLR Wall-Plate, White (UPC: 627699015582)

6. Installation

Dimensions



Behind

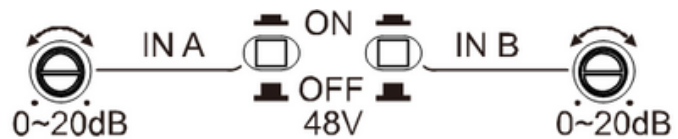
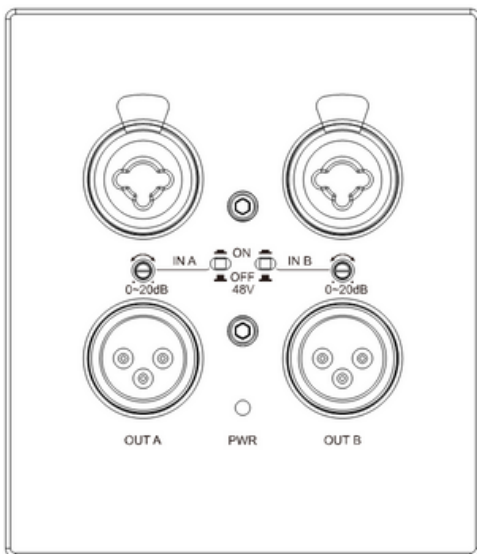
Side

Suggestion: We recommend that you use the standard type 120 wall box we provide for your installation.

1. Insert the wall box into the wall, then use the screwdriver to remove the two screws in the middle of the panel, and take the down panel.
2. Connect the Ethernet cable, insert the main unit into the wall box and screw.
3. Place the cover panel and tighten the screws.

7. Operation and Control Functions

1. Power on the unit, the PWR indicator indicates the power supply status.
2. Download Dante Controller routing control software for input and output channel routing configuration. Other management software that supports Dante matrix mixing can also be configured.
3. The front face of the panel is shown below.



4. The phantom switch uses a hidden self locking button switch. When the switch is pressed, the button lights up, the Phantom power is turned on, otherwise the light goes out, and the Phantom power is closed.

The gain adjustment knob is hidden in the adjustment hole, and the input gain value of the corresponding channel is adjusted with a screwdriver. The gain range: 0~20dB.

8. Application Diagram

