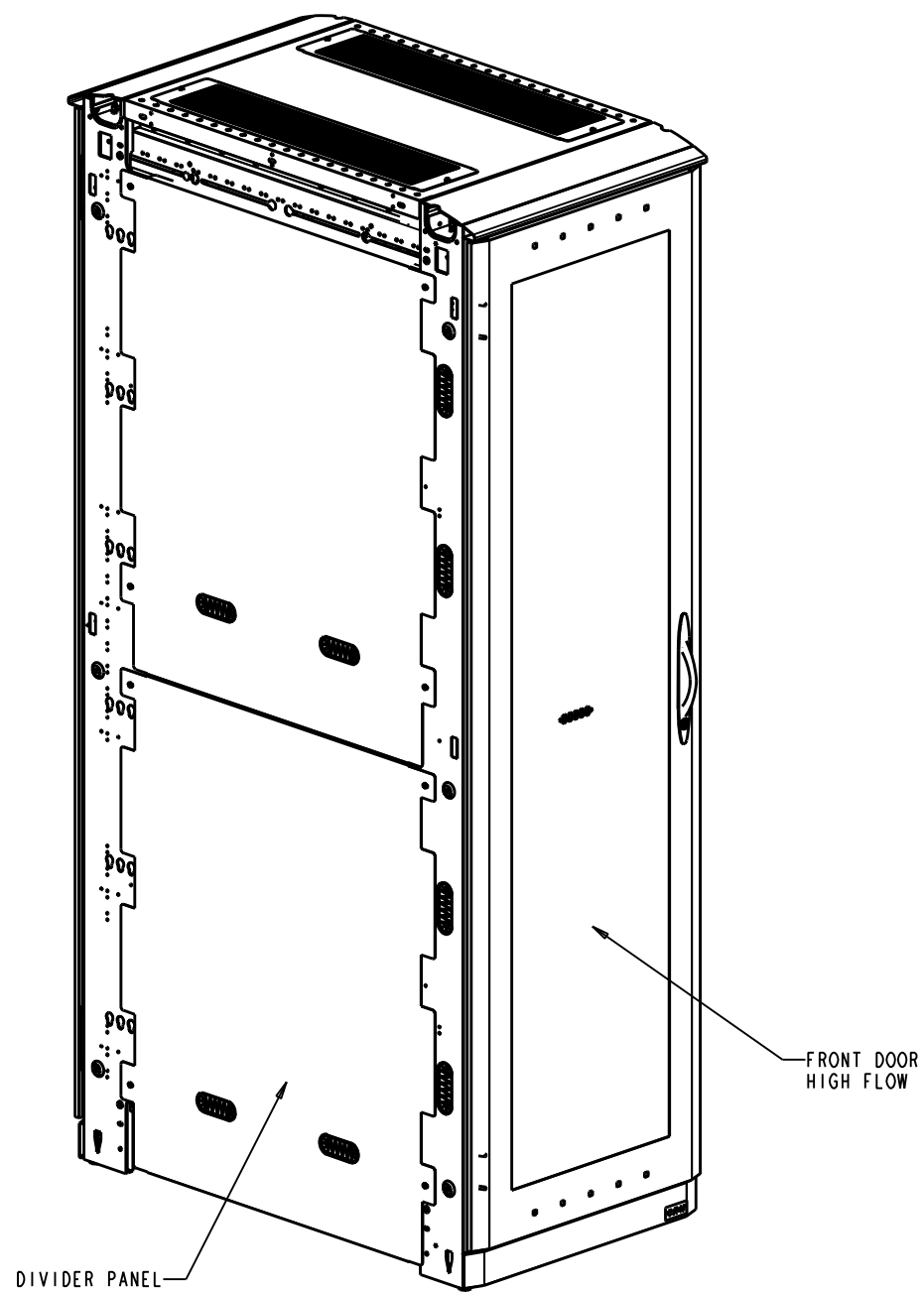
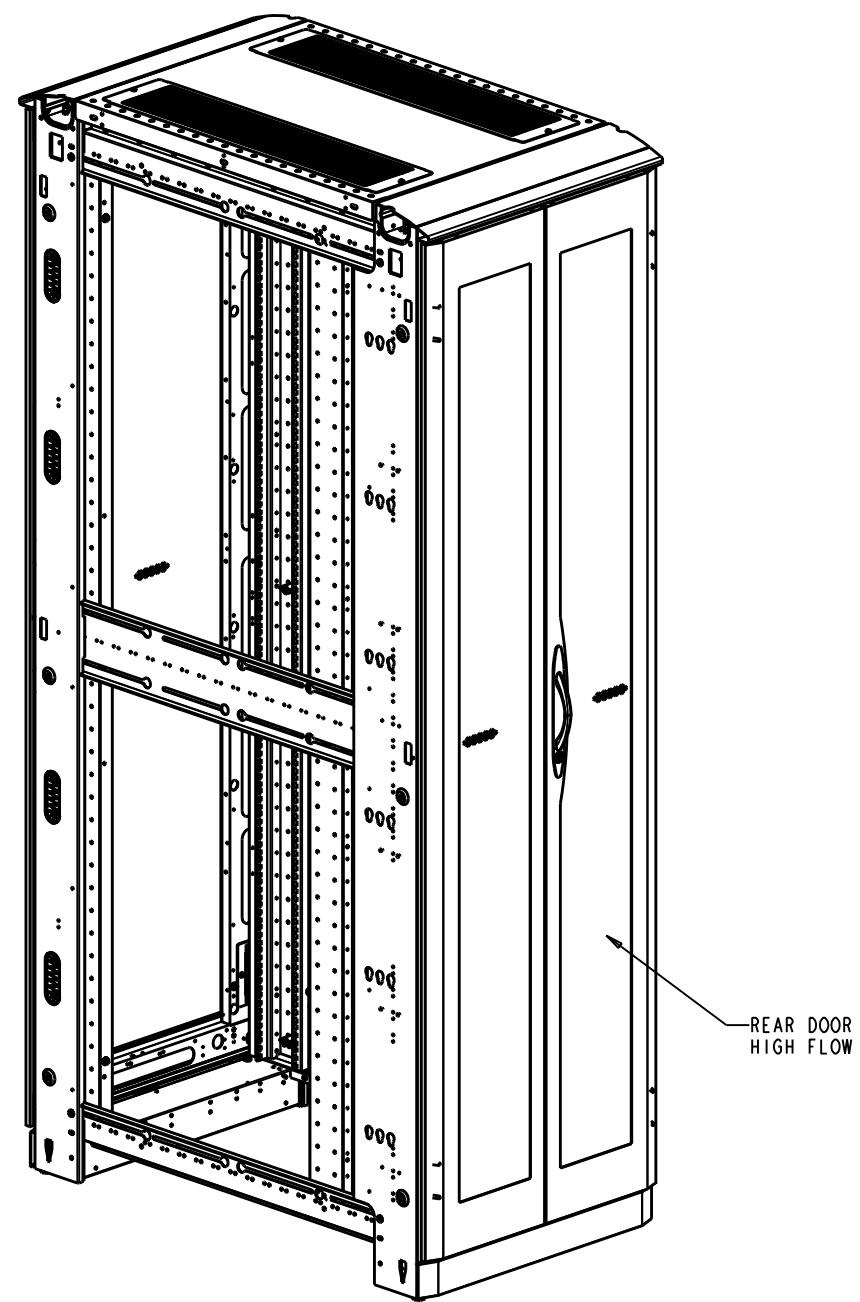


RELEASE STATUS
Production



FRONT ISO



REAR ISO

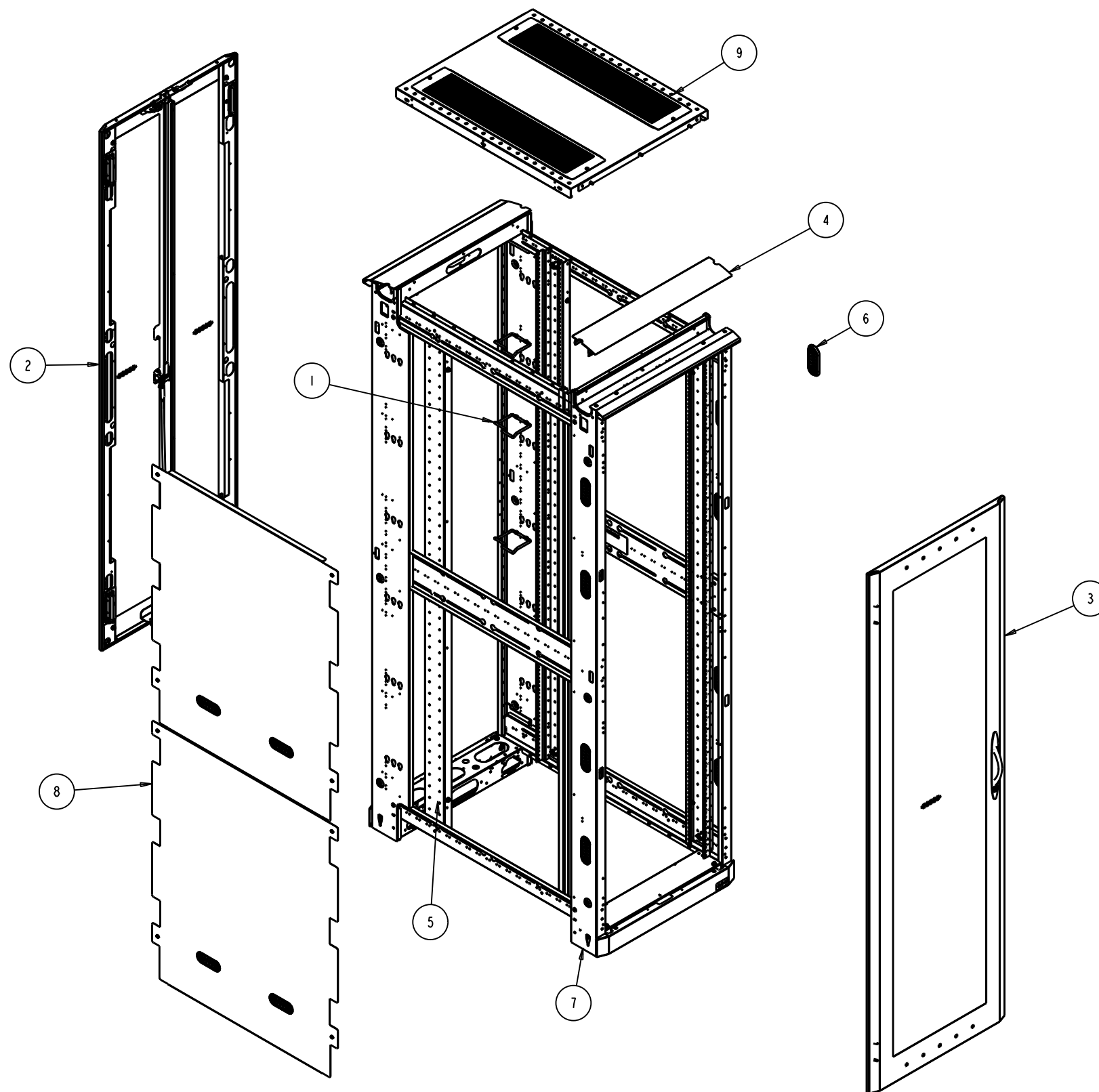
SHIPPING WEIGHT: 360 LBS

<small>THIS DRAWING CONTAINS PROPRIETARY INFORMATION AND IS LOANED SUBJECT TO RETURN UPON DEMAND AND UPON THE EXPRESS CONDITION THAT IT WILL NOT BE USED IN ANY WAY DETRIMENTAL TO THE INTEREST OF EATON CORPORATION</small>	CAGE NUMBER:	CUSTOMER: EATON CHANNEL	
	81824	DES. BY D Nelson 08/16/11	
	DESIGN MGMT SITE:	DRWN. BY D Nelson 08/16/11	
	Worcester	PROD. GRP 50 - Paramount	
	MATERIAL:	COLOR: -	CONFIG - 44U X 24W X 42D
	MATERIAL FINISH:	CRS GA: N/A	PARAMOUNT W/ RACK HYGIENE
	SPEC #:	OTHER: -	SHEET: 1 OF 8
			REV DATE: -
			D PMT442442H REV -

-	-	-	PRODUCTION RELEASE	EPR113222
REV	REV. DATE	REV'D BY	CURRENT REVISION DESCRIPTION	ECN OR EPR NUMBER

DRAWN IN THIRD ANGLE PROJECTION

TOLERANCE UNLESS SPEC'D .XX ± .02 .XXX ± .005 $\leq \pm 1''$ ALL DIMENSIONS IN INCHES



ASSEMBLY WIRING NOTE:

- GROUND ALL DOORS, RAILS, TOP AND DIVIDER PANELS.
USE GROUNDING LANYARDS FROM KIT P/N GRNDPMT.
USE STANDARD W/L GROUND POINTS FOR ATTACHMENT AREAS.

ITEM	TYPE	DOCUMENT #	REV	DESCRIPTION	QTY
10	SA	GRNDPMT	-	GROUND KIT - PARAMOUNT	1
9	MA	PMTNWP2442	-	ASSEMBLY - TOP PANEL, 24W X 42D	1
8	MA	PMTJVD4442S	A	DIVIDER PANEL ASY - 44U X 42D	1
7	MA	PMTFRM442440	-	WLD - FRAME, 44U X 24W X 40D	1
6	MA	JWOVLGROM	A	GROMMET - OVAL 1.5WX4L	8
5	MA	JRM10000_	-	RACK MOUNT RAILS - 44U	1
4	MA	JFTK24_	B	FRAME TRIM KIT - 24"W	1
3	MA	JDHF8424L	-	DOOR, HIGH FLOW	1
2	MA	JDDHF8424	-	ASSEMBLY - SPLIT DOOR, HIGH FLOW	1
1	MA	CMDRNR032U_	-	D-RING KIT, 2U	1

THIS DRAWING CONTAINS PROPRIETARY INFORMATION AND IS LOANED SUBJECT TO RETURN UPON DEMAND AND UPON THE EXPRESS CONDITION THAT IT WILL NOT BE USED IN ANY WAY DETRIMENTAL TO THE INTEREST OF EATON CORPORATION

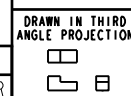
CAGE NUMBER: 81824
 CUSTOMER: EATON CHANNEL
 DES. BY: DNeison 08/16/11
 DRWN. BY: DNeison 08/16/11
 DESIGN MGMT SITE: Worcester
 PROD. GRP: 50 - Paramount
 COLOR: -
 CRS GA: N/A
 OTHER: -
 MATERIAL: -
 MATERIAL FINISH: -
 SPEC #: -



CONFIG - 44U X 24W X 42D
PARAMOUNT W/ RACK HYGIENE

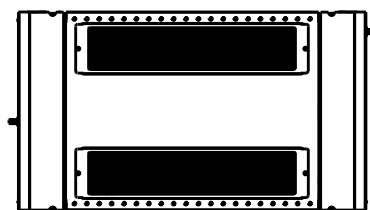
SHEET: 2 OF 8
 REV DATE: -
 D PMT442442H REV -

REV	REV. DATE	REV'D BY	PRODUCTION RELEASE	ECN OR EPR NUMBER
-	-	-	PRODUCTION RELEASE	EPR113222
-	-	-	CURRENT REVISION DESCRIPTION	-

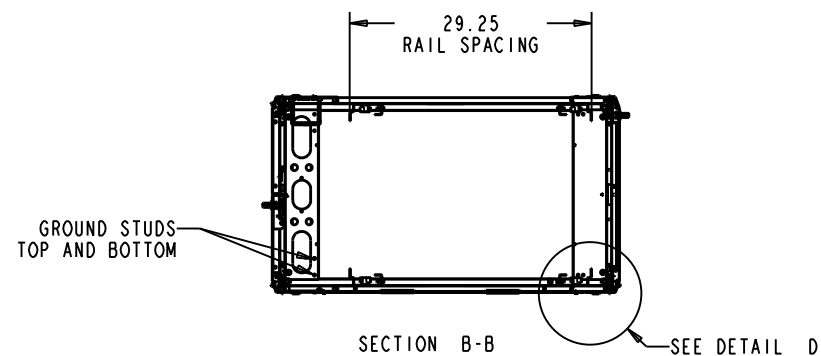


TOLERANCE UNLESS SPEC'D
 .XX ± .02
 .XXX ± .005
 < ± .1"
 ALL DIMENSIONS IN INCHES

RELEASE STATUS
Production

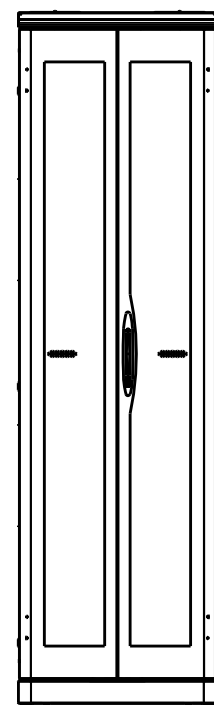


TOP

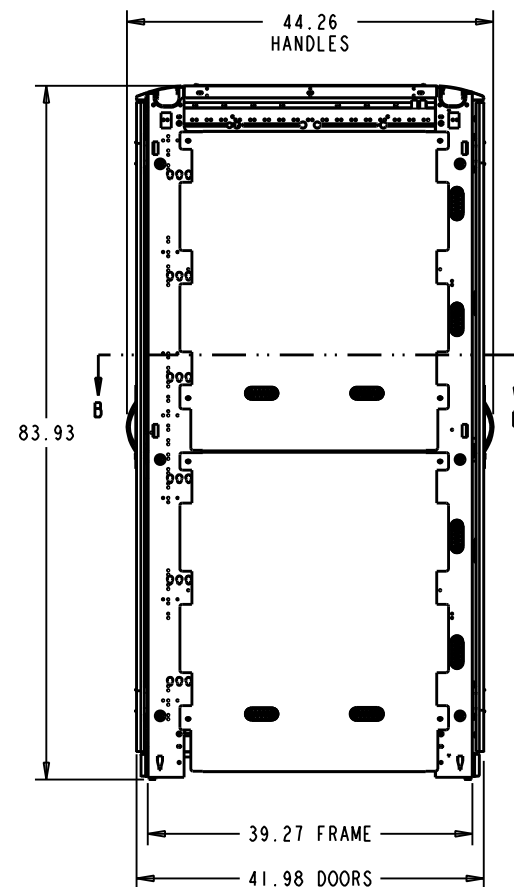


2.00 FROM FRONT OF RAIL TO FRONT OF CORNER POST

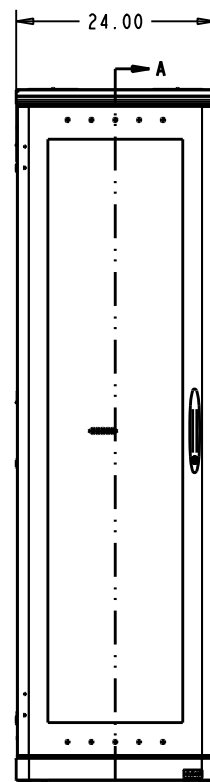
DETAIL D
SCALE 0.200



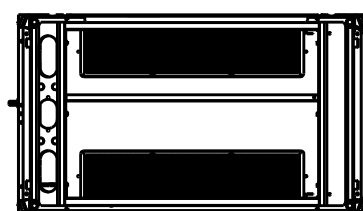
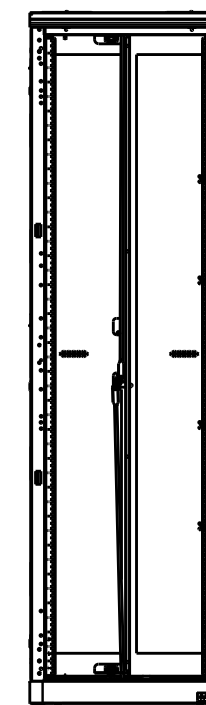
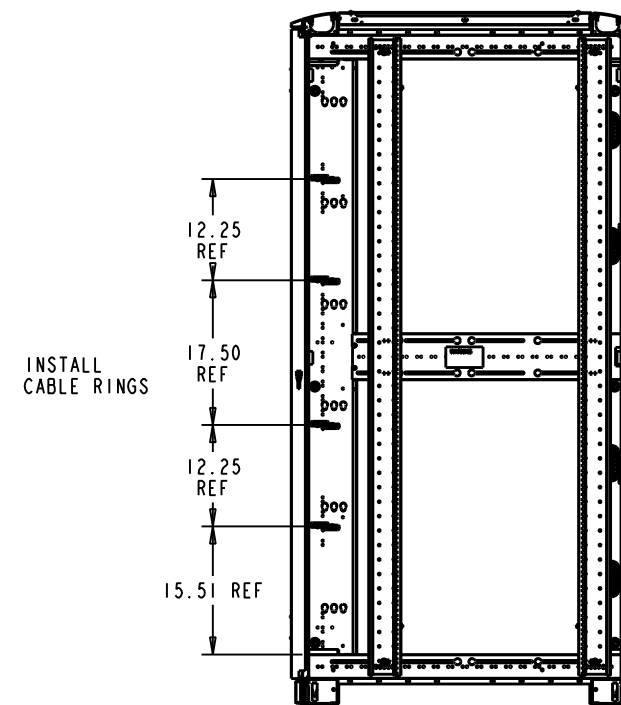
REAR



LEFT SIDE



FRONT



BOTTOM

LEVELING FEET

<small>THIS DRAWING CONTAINS PROPRIETARY INFORMATION AND IS LOANED SUBJECT TO RETURN UPON DEMAND AND UPON THE EXPRESS CONDITION THAT IT WILL NOT BE USED IN ANY WAY DETRIMENTAL TO THE INTEREST OF EATON CORPORATION</small>	CAGE NUMBER:	CUSTOMER: EATON CHANNEL	
	81824	DES. BY D Nelson 08/16/11	
	DESIGN MGMT SITE:	DRWN. BY D Nelson 08/16/11	
	Worcester	PROD. GRP 50 - Paramount	
<small>DRAWN IN THIRD ANGLE PROJECTION</small>	MATERIAL:	OTHER: -	<small>CONFIG - 44U X 24W X 42D PARAMOUNT W/ RACK HYGIENE</small>
<small>TOLERANCE UNLESS SPEC'D .XX ± .02 .XXX ± .005 ALL DIMENSIONS IN INCHES</small>	MATERIAL FINISH:	CRS GA: N/A	<small>SHEET: 3 OF 8</small>
<input type="checkbox"/> <input type="checkbox"/>	SPEC #:	REV DATE: -	<small>REV</small>
<small>PRODUCTION RELEASE</small>	<small>EPR113222</small>	<small>ECN OR EPR NUMBER</small>	<small>D PMT442442H REV -</small>

REV	REV. DATE	REV'D BY	PRODUCTION RELEASE	ECN OR EPR NUMBER
-	-	-	PRODUCTION RELEASE	EPR113222
-	-	-	CURRENT REVISION DESCRIPTION	ECN OR EPR NUMBER