



# Starling Tab-Tension CineGrey 5D® Series

## Ceiling Ambient Light Rejecting Electric Projector Screen

### User's Guide



The projection screen material is our *ISF certified CineGrey 5D®*, which is a reference quality front projection material precisely formulated for environments with minimal control over room lighting. It was designed to enhance picture brightness, accurate color fidelity, and improve contrast levels. The *CineGrey 5D®* is best for family rooms, educational facilities, conference rooms or any applications in which incident light is a factor.

In order for the *CineGrey 5D®* to maintain its projection qualities and optimum performance, please refer to the list below for proper maintenance and cleaning.

- Use a dry microfiber cloth to remove dust from the screen's surface.
- When cleaning, use a damp microfiber cloth with warm water to remove any marks.
- Never rub or apply pressure when cleaning the surface.
- Never attempt to use any solutions, chemicals or abrasive cleaners on the screen surface.
- In order to avoid damaging the screen, avoid touching it directly with your fingers, pens/pencils or any other sharp or abrasive objects.

### **Important Safety & Warning Precautions**

**Make sure to read this user's guide and follow the procedures below.**

**Caution:** The screen's Black Top Drop is already set to its maximum drop distance. There is NO extra Black Top Drop in the roller. Unapproved changes or modifications (except for cutting the power cord for hardwire installations) to this unit are prohibited and will void your warranty. For more information, please contact our Technical Support Department at [techsupport@elitescreens.com](mailto:techsupport@elitescreens.com)

- Please retain this user's guide for future reference.
- To avoid damaging the unit, do not use with any unauthorized accessories not recommended by the supplier.
- Handle the unit carefully during transportation to avoid any damages.
- To ensure safe and reliable operation, direct connection to a properly grounded power source is advised.
- The power outlet supplying power to the unit should be close to the unit and easily accessible.
- Do not install the unit on uneven or inclined surfaces.
- Do not put heavy objects on the power cord and position it properly to avoid creating a trip obstacle.
- Never overload the power cord to prevent an electric shock or fire due to a loose contact or a short circuit.
- There are not user serviceable parts in this unit. Do not attempt to disassemble this unit by yourself. No one except authorized technicians can open and make repairs to this unit.
- Make sure the power source this unit is connected to has a continuous power flow.
- If there is need to use an extension cord, make sure the cord has an equal rating as the appliance to avoid overheating.
- Do not handle the power plug when your hands are wet or your feet are in contact with water.

**Do not use this unit under the following circumstances.**

- Disconnect the power cord under the conditions of heavy rain, wind, thunder or lightning.
- Avoid direct Sunshine, rain shower and moisture.
- Keep away from fire sources and high temperature to prevent this device from overheating.
- Cut off the power supply first before transportation or maintenance.
- Fully disconnect from the power supply when the unit is not in use for a long period of time, as should be done with any other electric household appliance.
- To avoid possible injury and/or an electric shock, do not attempt to use the screen if there is obvious damage or if there are any evident broken parts.

## **WARNING**

The Screen's **Top Black Drop** is already set to its maximum drop distance. There is **NO** extra top black drop in the roller. Please be aware of this as it will void the limitation of your warranty.

Individual modifications to this product are prohibited and will void the warranty with the supplier. Please contact Elite Screens' Customer Service for any questions.

## **NOTE:**

This equipment has been tested and found to comply with the limits for a Class B digital device, pursuant to Part 15 of the FCC Rules.

These limits are designed to provide reasonable protection against harmful interference in a residential installation. This equipment generates and can radiate radio frequency energy and, if not installed and used in accordance with the instructions, may cause harmful interference to radio communications.

However, there is no guarantee that the interference will not occur on a particular installation. If this equipment causes harmful interference to radio or television reception, which can be determined by turning the equipment off and on, the user is encouraged to try to correct the interference by one or more of the following measures.

- ✓ **Reorient or relocate the receiving antenna of the device which may cause interference.**
- ✓ **Increase the separation between the screen and the device's receiver.**
- ✓ **Connect the equipment into a different power outlet other than the device.**

## **Pre-Installation**

1. Carefully unpack the screen.
2. Always handle the screen in a leveled position on a clean surface.
3. In order to protect the screen from exposure to stains, keep the screen out of contact with foreign particles such as dust, sawdust, and/or liquids.

## **NOTE**

Regardless of the mounting method, the screen should be securely supported so that the vibration or pulling on the viewing surface will not cause the casing to become loose or fall. The installer must ensure that the fasteners used are of adequate strength and suitable for the installation location.

Included mounting screws are complimentary and may not be appropriate for all mounting surfaces. Use appropriate anchors to safely secure the screen to the mounting surface or consult with a professional installer.

## **Notice to Installer:**

**Please use the following installation instructions to obtain superior optical performance from the CineGrey 5D® Angular Reflective ALR (Ambient Light Rejecting) Screen.**

- **Angular-Reflective material is not compatible with ultra-throw projectors or short-throw projectors with less than a 0.8 lens throw ratio.**
- Minimum lens throw ratio 0.8x image width
- Ambient light must not come from the same direction as the projector

Since angular-reflective means that the projected image will reflect at the mirror-opposite angle, it is important to position the projector so that the viewer will get the best possible image.

**Step 1:** Establish the general “eye level” of the viewers

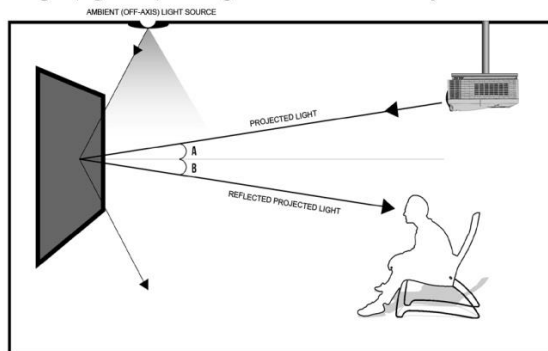
**Step 2:** Set the appropriate projection level

**Step 3:** Adjust the screen height level and projection angle

**Input Angle (A) = Output Angle (B) aligns with the viewer’s angle**

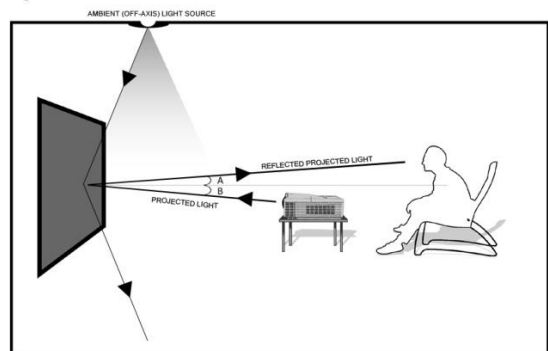
**Correct Installation Examples**

**Projector Ceiling Installation:** Make sure the projector (*light in*) is angled (A) to reflect (B) at the mirror-opposite angle (*light out*) to align with the viewer’s eye level.



PROJECTOR CEILING INSTALLATION

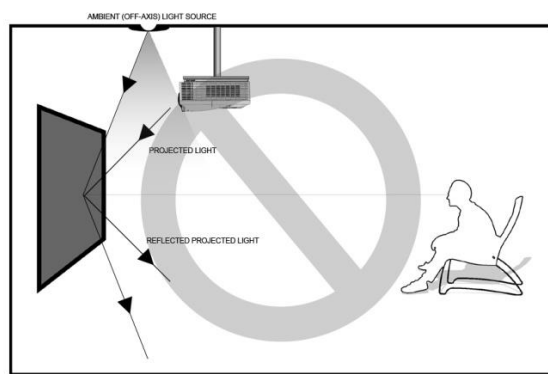
**Projector Table Top:** Make sure the projector (*light in*) is angled (A) to reflect (B) at the mirror-opposite angle (*light out*) to align with the viewer’s eye level.



PROJECTOR TABLE TOP INSTALLATION

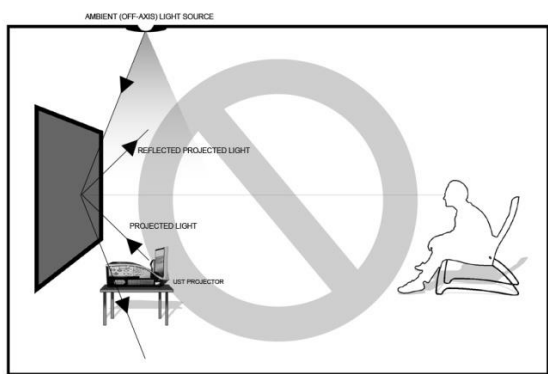
**Incorrect Installation Examples**

**Ceiling Mounted Short-throw Projector**



CLOSE UP CEILING PROJECTOR ILLUSTRATION (NOT COMPATIBLE)

**Tabletop Ultra-Short throw Projector**



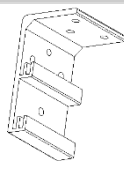
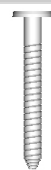

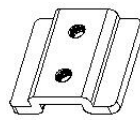
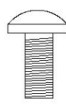



ULTRA SHORT THROW PROJECTOR ILLUSTRATION (NOT COMPATIBLE)

**Note:** Improper installation will result in light loss and produce a dark image. This is due to the projector’s light reflecting in the wrong direction.

*Images are not up to scale and are for illustration purposes only.*

**Hardware Parts List**

Please make sure all parts listed below are included before proceeding with the installation.

| A. Wall/Ceiling mount bracket x2  | B. M5x60 Screw x6   | C. M12 Dry-wall anchor x6   | D. Bracket connector x2 (installed on housing)                                    | E. M5x11 Bolt Screw x4  | F. M5x25mm round head cross screws x2  | G. M5x30mm eyebolt screw & M5 nut x2  | H. Snap link x2   |
|---|---|---|---|---|--|---|---|
|  |  |  |  |  |  |  |  |

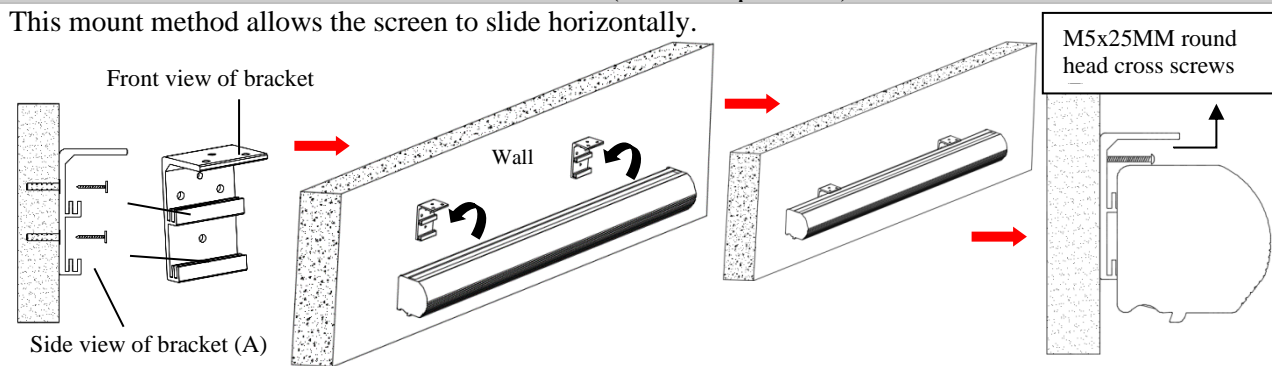
## Installation Instructions

For installation assistance, please consult a professional Installer. Elite Screens is not liable for faulty installations. Two or more people are required while one holds the screen in place.

### A. Wall Mount

#### Flush mount (movable position)

This mount method allows the screen to slide horizontally.

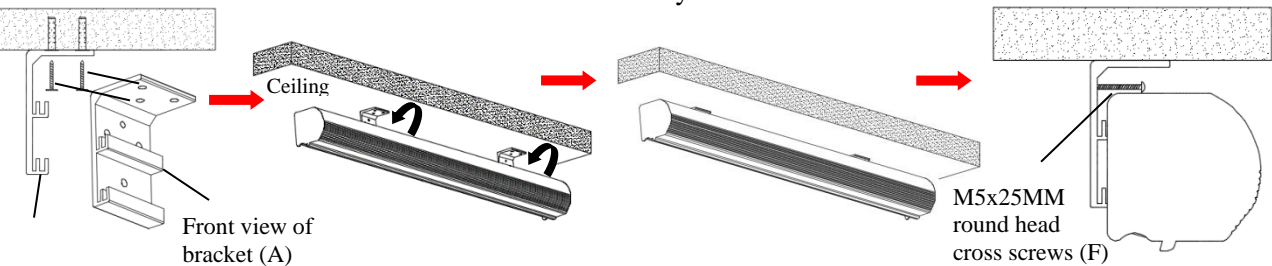


1. Determine where the screen will be installed. Then, measure and mark the distance between the top and bottom screw holes from each **Wall/Ceiling mount bracket (A)**.
2. Drill a hole on all marked areas and install the brackets with the **dry-wall anchor (C)**, **M5x60 screw (B)**, Make sure both brackets are properly leveled.
3. Hang the screen by placing the **downward** “catch” located on the back over the brackets **upper** “catch”.
4. After making sure the screen is secured, you can slide it left / right to properly center it in position.
5. Lastly, screw the **M5 screw (F)** into the upper hole of the bracket to add additional support for the screen.

### B. Ceiling Mount

#### Ceiling Mount (movable position)

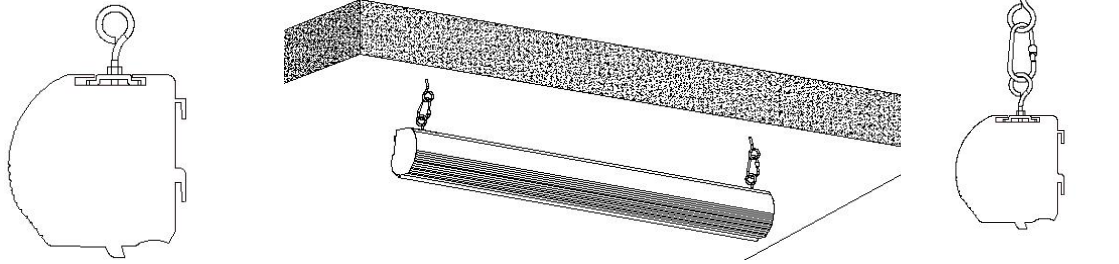
This mount method allows the screen to slide horizontally.



1. Determine where the screen will be installed. Then, measure and mark the distance between the top and bottom screw holes from each **Wall/Ceiling mount bracket (A)**.
2. Drill a hole on all marked areas and install the brackets with the **dry-wall anchor (C)**, **M5x60 screw (B)**, Make sure both brackets are properly leveled.
3. Hang the screen by placing the **downward** “catch” located on the back over the brackets **upper** “catch”.
4. After making sure the screen is secured, you can slide it left / right to properly center it in position.
5. Lastly, screw the **M5 screw (F)** into the upper hole of the bracket to add additional support for the screen.

#### II. Suspended

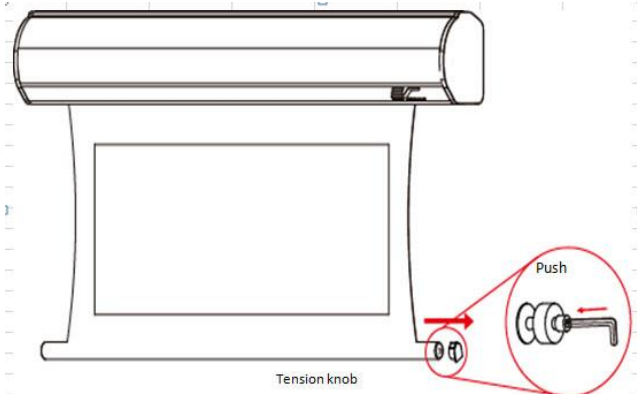
1. Screw the *eyebolt (G)* on the *bracket connector (D)*.
2. Attach the *snap link (H)* through the *eyebolt (G)* and connect it to an eyebolt screw (not included) rated for the screen's weight.



### Screen material tension adjustment

(4mm Allen Wrench required and not included)

Remove the weight bar end cap to expose the adjustment tension knob. Insert your 4mm Allen Wrench to push in the adjustment tension knob, turn clockwise and your screen will gain more tension. Turn the Allen Wrench counter clockwise and the screen will lose tension. Please note this adjustment is not necessary as the tension of the screen has been set to its factory setting for best performance. Please contact Elite Screens for assistance to avoid damaging the screen and voiding your warranty.



### Starling Tab-Tension CineGrey 5D® Series | Controls and Accessories

| A. IR Remote | B. RF Remote | C. Wall switch control box | D. 5-12 volt trigger cable | E. IR extended "eye" receiver | F. Wireless 5-12v trigger cable | G. AAA batteries | H. Bubble Level |
|--------------|--------------|----------------------------|----------------------------|-------------------------------|---------------------------------|------------------|-----------------|
|              |              |                            |                            |                               |                                 |                  |                 |

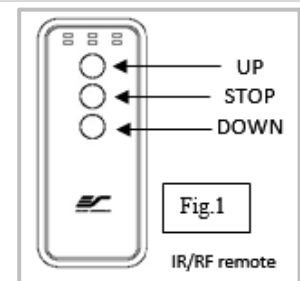
### Screen operation

**Electric Current:** Depending upon region, your screen will operate on 100v, 110v, or 220v voltage.

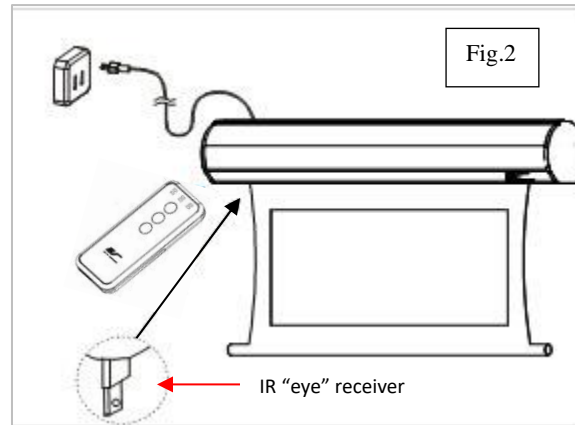
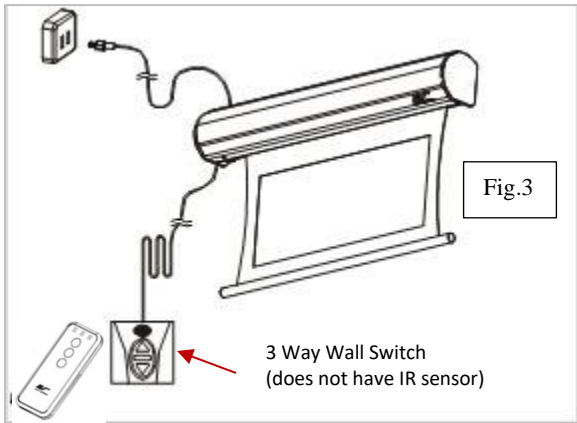
1. After ensuring the power outlet & screen are compatible (voltage), plug the power cord into the power outlet.
2. Once the screen has power, you'll be able to control it using any of the 6 methods described below.

#### 6 ways to control your Starling Tab-Tension

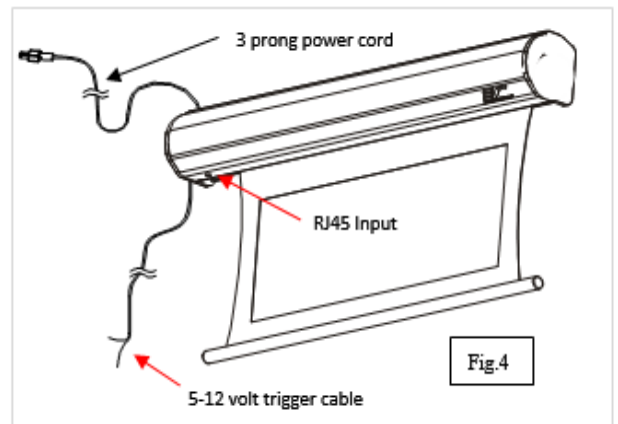
1. **IR remote control (Item A, Fig 1):** The Infrared functions by direct line of sight contact with a beam range of 30 feet. Aim the IR remote at the circular window located on the left side of the screen.
2. **IR "Eye" Receiver (Item E, Fig 2):** The IR "Eye" Receiver plugs directly into the screen's RJ-45 input to present a low profile line-of-sight control option for your IR remote control even in a recessed ceiling installation.
3. **RF Remote Control (Item B):** The radio waves eliminate the need for a direct line of sight with a range of 100 feet.



**4. 3-Way Wall Switch (Item C, Fig 3):** The 3-way wall switch is a wall mount control box with an up/stop/down button and plugs directly into the screen's RJ-45 input.



**5. 5-12 volt trigger (Item D, Fig 4):** The built-in 5-12V trigger input allows your screen to synchronize its drop & rise with the projector's power cycle. The screen deploys when the projector powers up and will retract when the projector powers down. The 5-12 volt RJ45 cable connects to your projector's trigger output via a separate cable that may or may not be provided by the manufacturer of the projector. The trigger feature will not work without an output cable from the projector, but it can be tested by connecting the Red (+) and Green (-) cable to a 9-volt battery.



**6. Wireless 5-12 volt trigger (Item F, Fig 5):** The RF remote control serves as a dual purpose, independently as a handheld remote control, or in conjunction with the Wireless 5-12 volt trigger cable. The radio frequency technology can be programmed to send a wireless signal to synchronize its drop & rise with the projector's power cycle.

**Here's how to set up your Wireless 5-12 volt trigger | Synchronization Instructions**

- Step 1:** Connect one end of the 3.5 mm wireless 5-12 volt trigger cable to the RF remote.
  - Step 2:** Connect the other 3.5 mm end of the wireless 5-12 volt trigger cable to your projector
  - Step 3:** Make sure to unplug your screen from the power outlet
  - Step 4:** Hold the UP button on your RF remote
  - Step 5:** While holding the UP button, plug the screen back to the power outlet
  - Step 6:** Wait 5 seconds and then release the UP button
  - Step 7:** Your 5-12V wireless trigger should now be activated with your screen and ready to be used and able to control your screen with your projector's power cycle
- Repeat the steps again if not successful.  
 (Please be aware, the projector on/off cycle may take longer to fully activate. It usually takes around 20- 30seconds for full off and on cycle each time)

**For Technical Support or an Elite Screens contact in your area, visit [www.elitescreens.com](http://www.elitescreens.com)**

