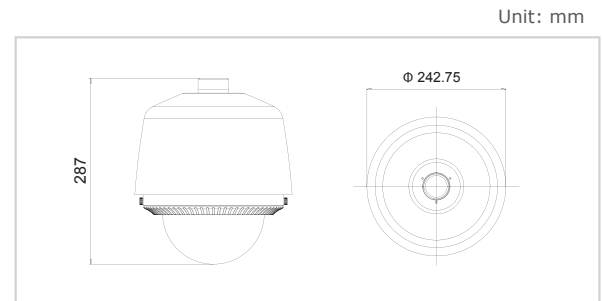
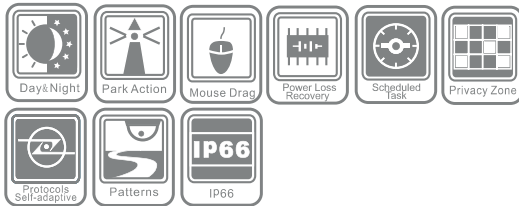




## DS-2AF1-611/613/615/617X DS-2AF1-601/603/605/607X 6" Analog High Speed Dome

- 1/4 inch SONY EXVIEW CCD
- $\pm 0.1^\circ$  preset accuracy
- 400°/s pan preset speed and 150°/s tilt preset speed
- 360° endless pan range
- Weather Proof: IP66 standard



### Specifications

	Outdoor Indoor	DS-2AF1-611x DS-2AF1-601x	DS-2AF1-613x DS-2AF1-603x	DS-2AF1-615x DS-2AF1-605x	DS-2AF1-617x DS-2AF1-607x
Camera	Image Sensor	1/4 inch SONY EXVIEW CCD			
	Effective Pixels	NTSC: 768 (H)×494 (V)			
	Horizontal Resolution	480TVL			
	Signal System	NTSC			
	Min. Illumination	1.0Lux / F1.4	0.7Lux / F1.4 (Color) 0.01Lux / F1.4 (B/W)	1.0Lux / F1.4 (Color) 0.01Lux / F1.4 (B/W)	1.4Lux / F1.4 (Color) 0.01Lux / F1.4 (B/W)
	White Balance	ATW / Manual			
	AGC	Auto / Manual			
	S/N Ratio	Better than 50dB			
	BLC	ON / OFF			
	Electronic Shutter Speed	N: 1/60~1/10,000s	1/1~1/10,000s	1/4~1/10,000s	N: 1/4~1/10,000s
	Day&Night	Electronic	ICR	ICR	ICR
	Digital Zoom	Up to 12x			
	Privacy Masking	Up to 24 zones, while maximum 8 zones masked simultaneously in one image			
	Auto Focus	Auto / Manual			

		DS-2AF1-611x DS-2AF1-601x	DS-2AF1-613x DS-2AF1-603x	DS-2AF1-615x DS-2AF1-605x	DS-2AF1-617x DS-2AF1-607x
Lens	Zoom Ratio	4.1-73.8mm, 18x	4.1-73.8mm, 18x	3.5-91mm, 26x	3.4-122.4mm, 36x
	Zoom Speed	Approx. 2.1sec (Optical WIDE-TELE )		Approx. 4.0sec (Optical WIDE-TELE )	
	Field of View	48° to 2.8° (WIDE-TELE )	48° to 2.8° (WIDE-TELE )	42° to 1.6° (WIDE-TELE )	57.8° to 1.7° (WIDE-TELE )
	Min. Working Distance	200mm (WIDE), 1000mm (TELE)	290mm (WIDE), 800mm (TELE)	320mm (WIDE), 1500mm (TELE)	320mm (WIDE), 1500mm (TELE)
	Aperture Range	F1.4-F3.0	F1.4-F3.0	F1.4-F3.8	F1.6-F4.5
Pan & Tilt	Pan Range	360° endless			
	Pan Speed	Manual: approx. 0.3°/s-300°/s, Preset: up to approx. 400°/s			
	Tilt Range	0°~90° (Auto ip)			
	Tilt Speed	Manual: approx. 0.5°~90°/s, Preset: up to approx. 150°/s			
	Proportional Pan/Tilt Control	YES			
	Preset Positions	250			
	Tour Mode	OFF / Preset / Patrol / Pattern / Auto Scan / Random Scan / Frame Scan			
	Freeze Frame	- Freeze Frame during Preset			
	Scheduled Task	Scheduled Task: programmable Preset / Patrol / Auto Scan / Pattern / Random Scan / Frame Scan.			
	Password Protection	Preventing unauthorized person modifying the parameter			
	Auto Flip	YES			
	Parameter Restore	Go to the speed dome last status after reboot			
	Park Action	Start to Call Preset / Patrol / Pattern / Auto Scan / Random Scan / Frame Scan, after a De ned Time of Inactivity			
PTZ Position Display	ON / OFF				
Alarm	Alarm Input	7 channels input, priority is con gurable			
	Alarm Output	2 channels relay output, alarm linkage is con gurable			
	Alarm Actions	Preset 1 ~ 200, Patrol 1 ~ 8 , PATTERN 1 ~ 4, Terminal output			
Input / Output	Monitor Output	1.0V[p-p] / 75Ω, NTSC (or PAL) composite, BNC			
General	Menu Language	English, Chinese			
	RS-485 Protocols	HIKVISION, PELCO-P, PELCO-D (addible), self-adaptive			
	Power Supply	24VAC (12VDC option)			
	Power Consumption	30W max (Heater ON)			
	Working Temperature/ Humidity	-30°C ~ 60°C (outdoor) / -10°C ~ 50°C (indoor), 90% or less (without condensation)			
	Water and Dust Resistance	IP66 standard compatible (Just for outdoor dome), TVS 3000V limited lightning protection			
	Dimensions	6 inch, Φ243(mm)×287(mm)			
	Weight (approx.)	5kg			