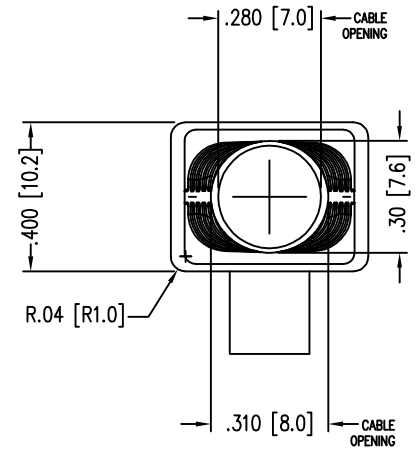
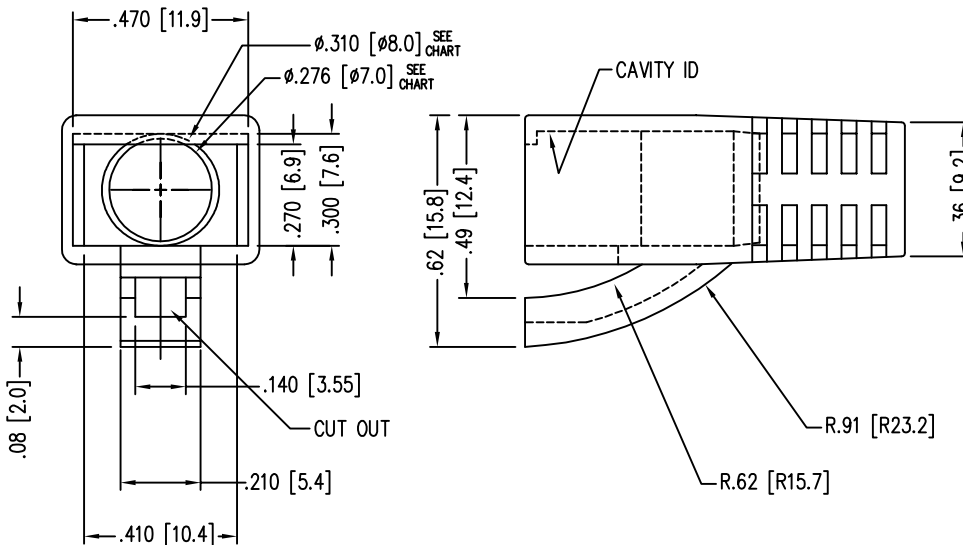
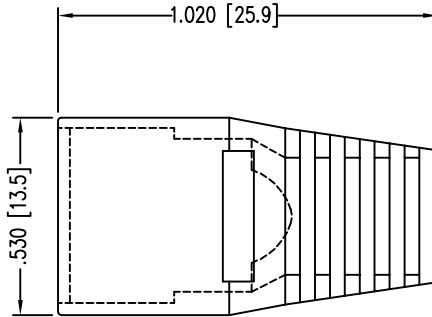
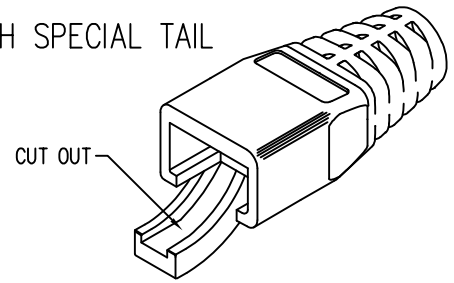


# Sentinel Connector Systems Inc.

1953 Stanton Street

York, Pa. 17404

## STANDARD PULL OVER STRAIN RELIEF BOOT WITH SPECIAL TAIL



DRAWING SHOWS MULTIPLE CABLE OPENINGS

PT No.:	8.0mm	V-0	8.0mm	V-0	7.0mm	V-0
	B0041---GREY	NO	B0049---GREEN	NO	B0045---BLACK	NO
	B0042---BLUE	NO	B0049-V0 GREEN	YES	B0045-V0 BLACK	YES
	B0043---WHITE	NO	B0051-V0 BLACK	YES	B0053---BLUE	NO
	B0043-V0 WHITE	YES	B0051---BLACK	NO	B0054---CLEAR	NO
	B0044---YELLOW	NO	B0052---CLEAR	NO		
	B0046---RED	NO	B0052-V0 CLEAR	YES		
	B0047---ORANGE	NO	B0055-V0 GREY	YES		
	B0048---PURPLE	NO				
	B0048-V0 PURPLE	YES				

PRODUCT LINE  
 PART NO. = BOOXX  
 TYPE & COLOR

MATERIAL: PVC, & (V-0) WHERE NOTED

FEATURES: SNAGLESS TAB

SDB00XX-C

TOLERANCE:

(X.XXX) 3 PLC DEC =+/- .020

UNIT OF MEASUREMENT IN INCHES

6/05/14 REV A15

5/12/14 REV A14

3/05/14 REV A13