

INSTRUCTION SHEET

MBRK/BRK SERIES

DCFANKIT-4/IDCFANKIT-4 FAN KIT

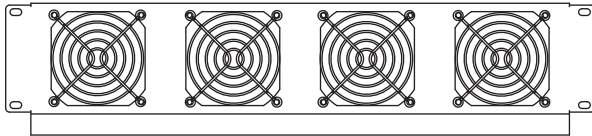
TOOLS REQUIRED

#2 Phillips screwdriver

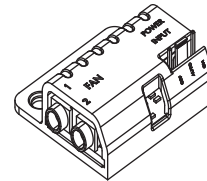


(International Model
IDCFANKIT-4 Only)

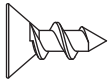
PARTS



Fan Panel
(1)



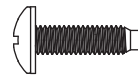
Inline Thermostatic Controller
(1)



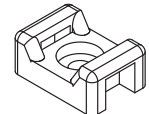
#6 X 3/8 Wood Screw
(3)



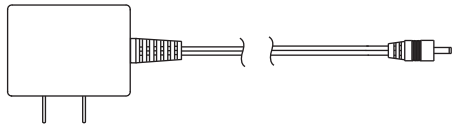
#10 X 5/8 Wood Screw
(5)



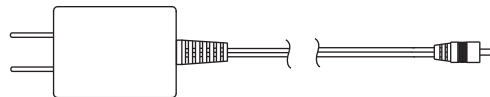
#10-32 Truss Head Rack
Screw (4)



Cable Tie Mount
(5)



12 Volt DC, 0.5 Amp Power Supply
(Used with IDCFANKIT-4)
(1)



12 Volt DC, 0.5 Amp Power Supply
(Used with DCFANKIT-4)
(1)



Wire Tie
(12)

INSTALLATION

NOTE: For optimal thermal management, this DCFANKIT-4/IDCFANKIT-4 Fan Kit must be used with MAP's RK-RAPxx Rear Access Panel.

1) Remove Top Panel from the rear of the rack, if installed. (See **FIGURE A**)

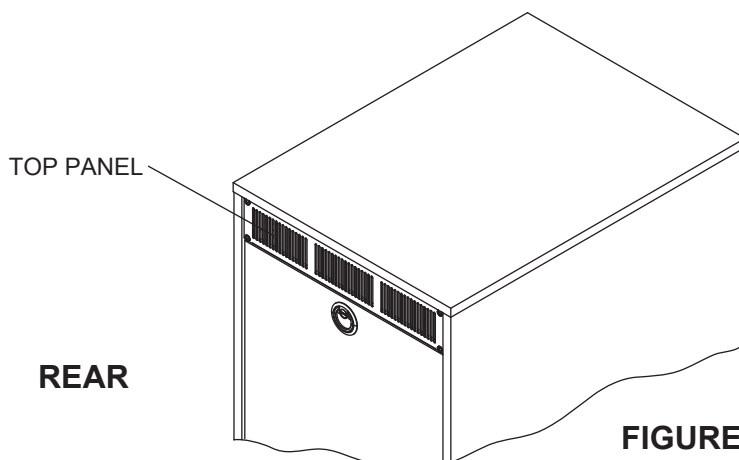


FIGURE A

INSTALLATION (Continued)

JUMPER SETTINGS: The Inline Thermostatic Controller comes with the jumper installed in the AUTO position (2 center pins) which turns fans on at 87°F (30.5°C) and turns fans off at 85°F (29.4°C). (See **FIGURE B**)

Jumper installed in the ON (2 right pins) position keeps fans on continuously.
Jumper installed in the OFF (2 left pins) position keeps fans off.

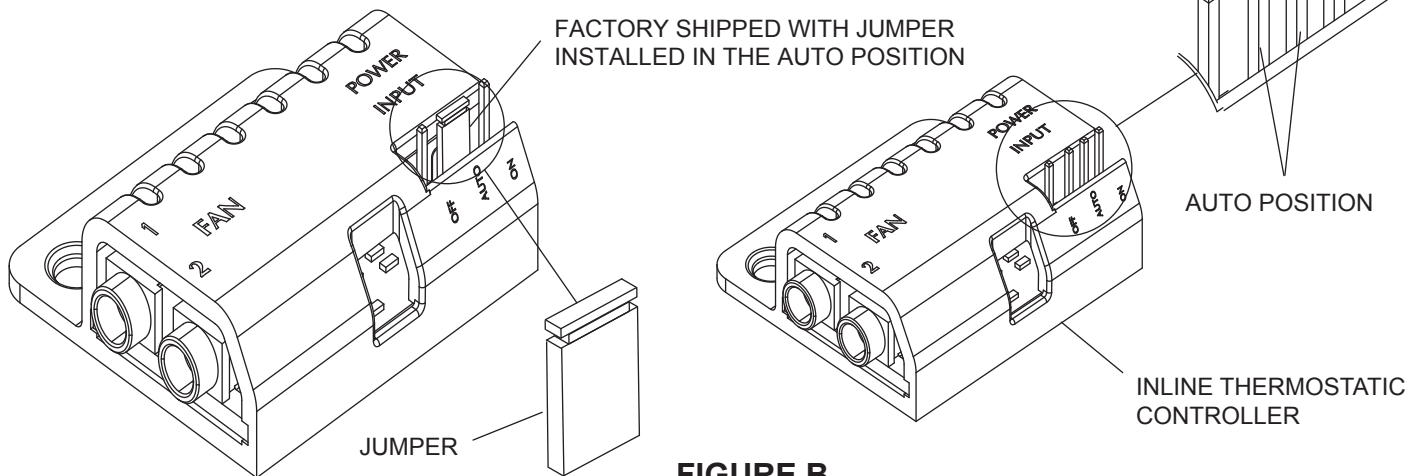


FIGURE B

2) Install the controller inside the rack using two #6 X 3/8 wood screws. Do not overtighten.
(See **FIGURE C**)

NOTE: It is recommended that the Controller be installed at the highest location on the side panel with the most amount of heat, near the top panel, as close to the center of the side panel as possible without obstruction from components.
(See **FIGURE C**)

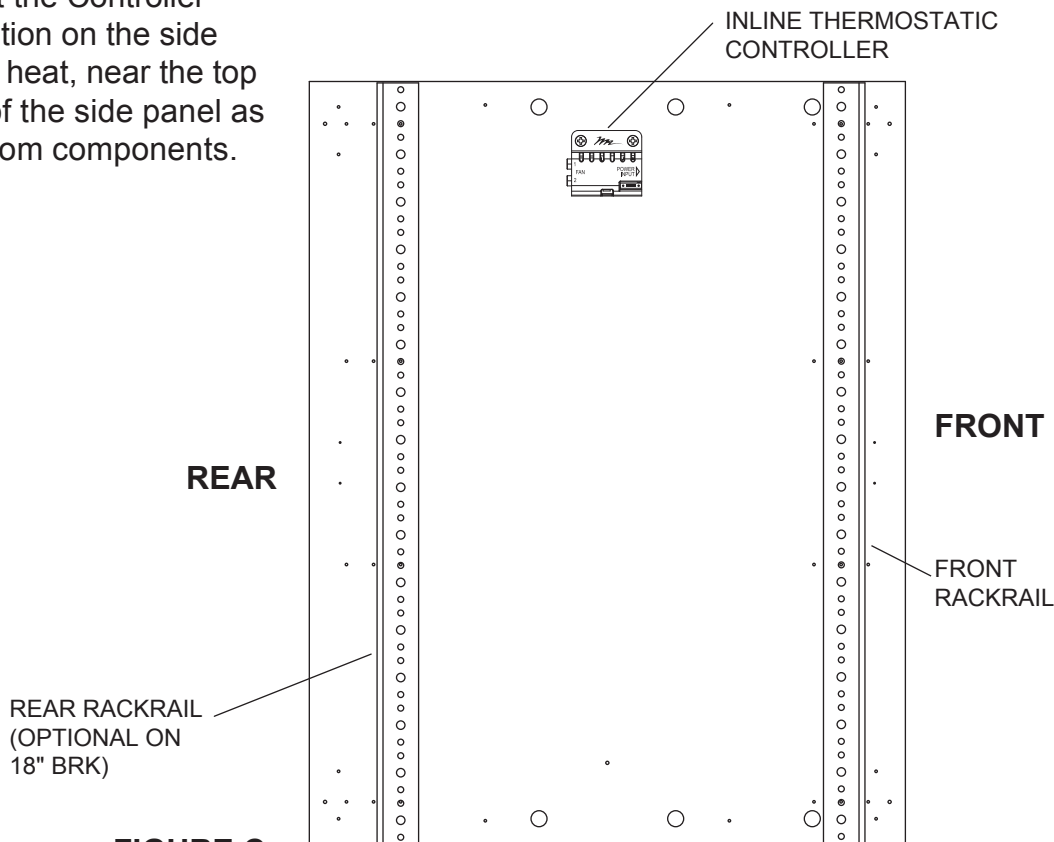
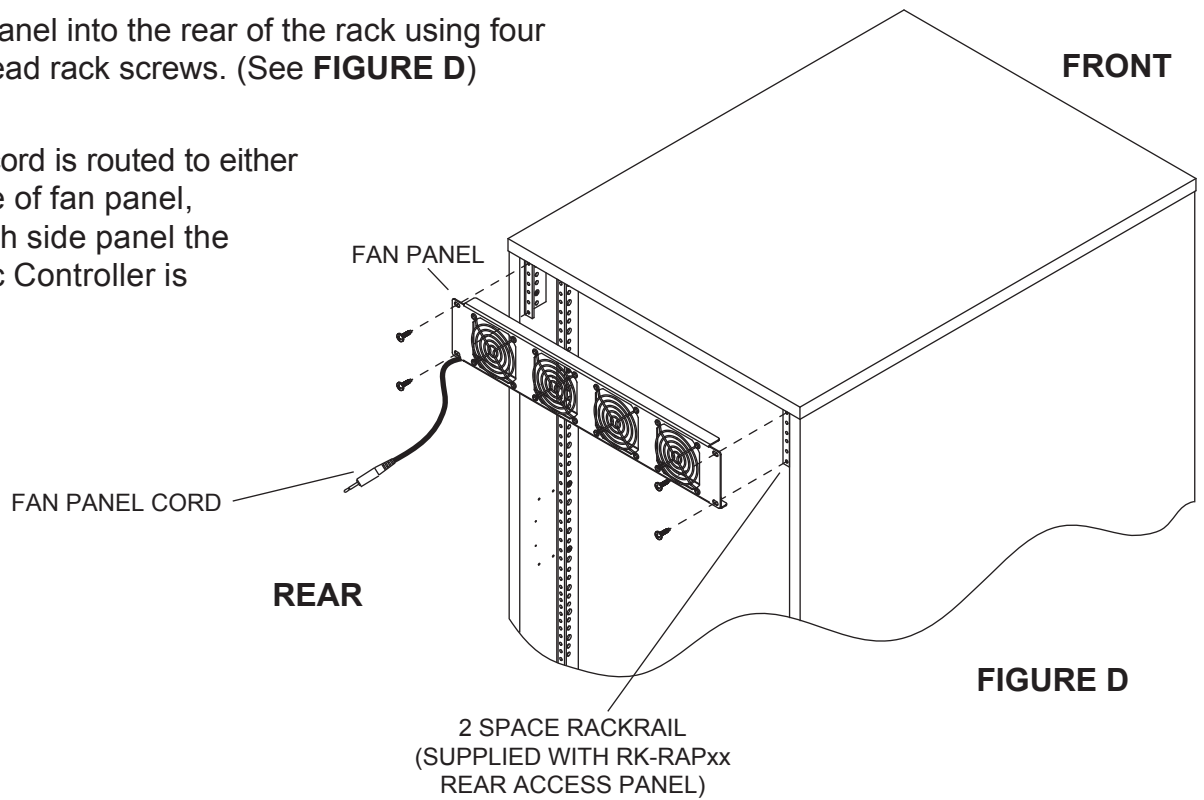


FIGURE C

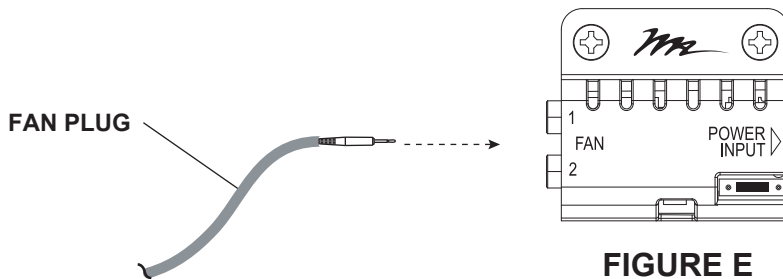
INSTALLATION (Continued)

- 3) Install the Fan Panel into the rear of the rack using four #10-32 Truss Head rack screws. (See **FIGURE D**)

NOTE: Fan panel cord is routed to either the left or right side of fan panel, depending on which side panel the Inline Thermostatic Controller is mounted.



- 4) Install fan plug into either the FAN 1 or FAN 2 position. (See **FIGURE E**)



- 5) Install power supply plug into POWER INPUT. (See **FIGURE F**)

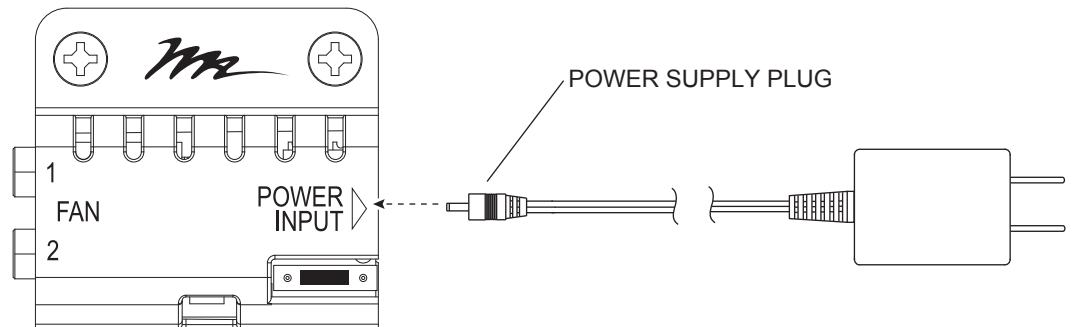
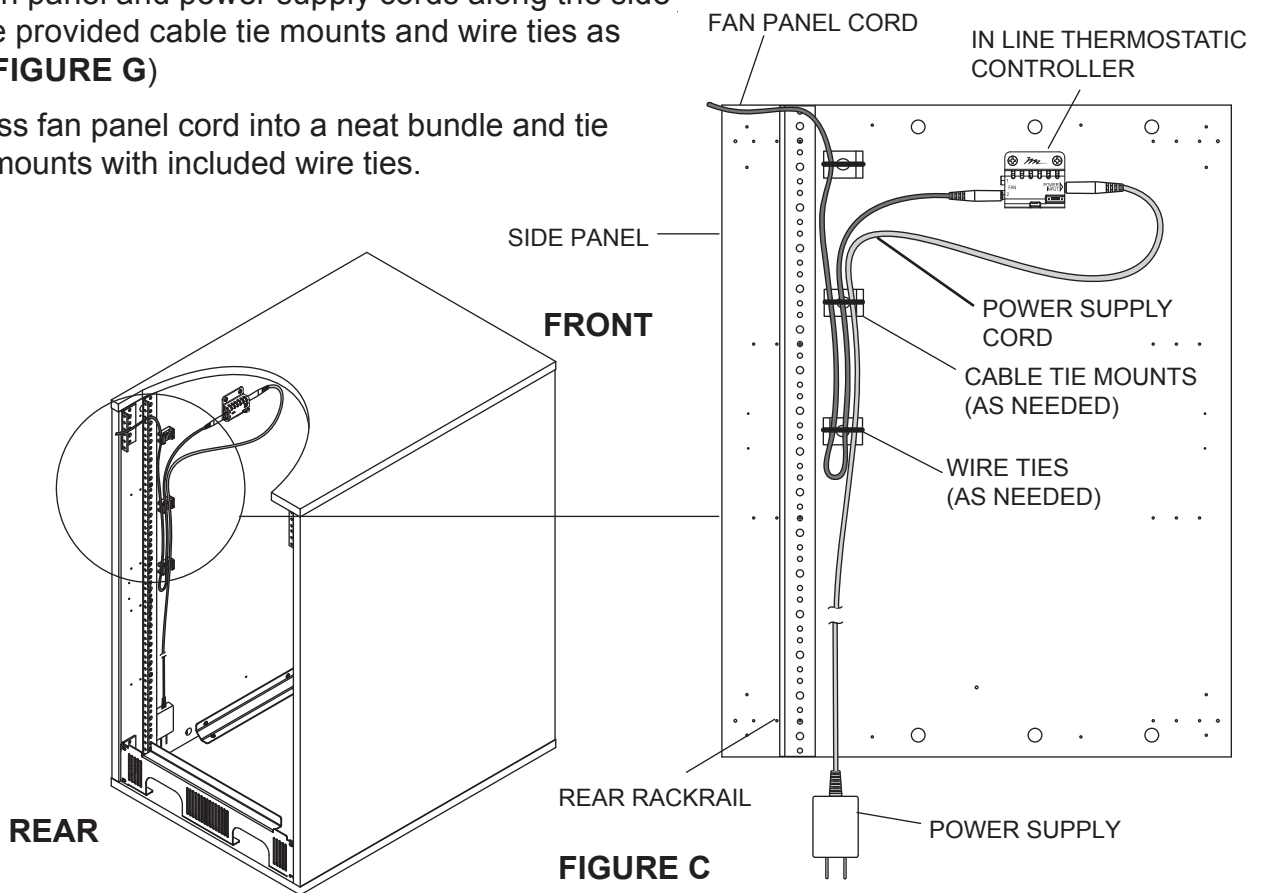


FIGURE F

INSTALLATION (Continued)

6) Route the fan panel and power supply cords along the side panel using the provided cable tie mounts and wire ties as needed. (See **FIGURE G**)

TIP: Fold excess fan panel cord into a neat bundle and tie onto cable tie mounts with included wire ties.



(FOR INTERNATIONAL MODEL IDCFANKIT-4 ONLY)

7) Select the appropriate wall plug adapter supplied with the power supply for your region, and install into the power supply. Connect power supply to power source.

NOTE: To remove a wall plug adapter, press tab labeled PUSH, while simultaneously turning plug counterclockwise and lift out. To install a wall plug adapter, properly orient the wall plug adapter and insert into the power supply and turn plug slightly clockwise until a clicking sound is heard.

WARRANTY

Middle Atlantic Products (the "Company") warrants the Fan Kit (DCFANKIT-4/IDCFANKIT-4) to be free from defects in material or workmanship under normal use and conditions for a period of (3) years from date of shipment by the Company.

The Company's entire liability to the purchaser, and the purchaser's (or any other party's) sole and exclusive remedy, under this warranty shall be limited, at the Company's option, to either (a) return of and refund of the price paid for, or (b) repair or replacement at the Company's factory of the products purchased, or any part or parts thereof, which the Company has determined to be defective after inspection thereof at the Company's factory.

This warranty does not cover damage due to acts of God, accident, misuse, abuse or negligence by parties other than the Company, or any modification or alteration of the products. In addition, this warranty does not cover damage due to improper handling, assembly, installation or maintenance.

THIS WARRANTY IS IN LIEU OF ALL OTHER WARRANTIES OF ANY KIND, EITHER EXPRESSED OR IMPLIED, INCLUDING, BUT NOT LIMITED TO, IMPLIED WARRANTIES OF MERCHANTABILITY AND FITNESS FOR A PARTICULAR PURPOSE.

TO THE MAXIMUM EXTENT PERMITTED BY APPLICABLE LAW, IN NO EVENT SHALL THE COMPANY BE LIABLE FOR ANY SPECIAL, INCIDENTAL, INDIRECT, OR CONSEQUENTIAL DAMAGES WHATSOEVER (INCLUDING, WITHOUT LIMITATION, DAMAGES FOR LOSS OF BUSINESS PROFITS, BUSINESS INTERRUPTION OR ANY OTHER PECUNIARY LOSS) ARISING OUT OF THE USE OF THE PRODUCTS PURCHASED, EVEN IF THE COMPANY HAS BEEN ADVISED OF THE POSSIBILITY OF SUCH DAMAGES. THE COMPANY'S LIABILITY TO THE PURCHASER (OR ANY OTHER PARTY) HEREUNDER, IF ANY, SHALL IN NO EVENT EXCEED THE PURCHASE PRICE OF THE PRODUCTS PAID TO THE COMPANY.

Corporate Headquarters

Corporate Voice 973-839-1011 - Fax 973-839-1976
International Voice +1 973-839-8821 - Fax +1 973-839-4982
middleatlantic.com - info@middleatlantic.com

Middle Atlantic Canada

Voice 613-836-2501 - Fax 613-836-2690
middleatlantic.ca - customerservicecanada@middleatlantic.ca

Factory Distribution

USA: NJ - CA - IL Canada: ON - BC

At Middle Atlantic Products we are always listening. Your comments are welcome. Middle Atlantic Products is an ISO 9001 and ISO 14001 Registered Company.

