

SR898

# SMARTMOUNT® Flat Panel Cart

FOR 55" TO 110"+ DISPLAYS



**Mounting Pattern**  
200 x 200 up to  
900 x 600mm



**Max Load**  
300lb  
(136.1kg)

- Improved leg design offers better movement around the display, such as when using a touch display or presenting to an audience
- Tube design and spacing allows for an easier way of transporting the display thanks to flexible handling locations
- Includes a preinstalled, 20ft, 3-outlet power cord for the display, media players, or mini PCs
- 32" x 11" fixed shelf provides a convenient place to set laptops, notebooks, pens, etc.
- Optional ACC-UCM accessory can be added to the rear of the cart for mounting of additional AV devices
- Complies with all criteria including load, tip and caster testing under UL1678 standards



**REMOVABLE REAR COVER**

Sits behind the rear of the display and provides a clean, concealed area for managing cabling and components (Shelf is made of ABS plastic; materials do not degrade WiFi signals)



3-outlet extension cord is preinstalled through the cart tubing

**HEIGHT ADJUSTMENT**

Allows displays to be positioned 49.9" to 65.9" from the floor



**HIDDEN CABLE MANAGEMENT**

Hinged rear cover provides hidden storage for the power cable when moving or storing the cart



The plug end and additional slack exits the cart tubing and is managed at the rear of the cart

**SAFE AND EASY MANEUVERABILITY**

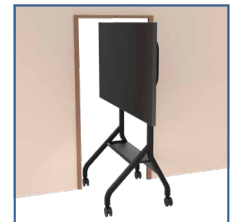
4" (102mm) dual-wheeled casters meet UL specifications and allow the cart to easily move across tile, carpet, and thresholds



Complies with ADA Standards for Accessible Design, Section 308



The frame design of the cart is optimized for storing multiple carts in a reduced footprint



The leg design allows the cart to easily pass through doorways as small as 30" (762mm) wide



Please visit [peerless-av.com/en-us/patents](http://peerless-av.com/en-us/patents) for patent information.

info@peerless-av.com  
peerless-av.com

**peerless-AV®**  
Driving Technology Through Innovation

SR898 SmartMount® Flat Panel Cart for 55" to 110"+ Displays

Product Specifications

	DIMENSIONS (W x H x D)	PRODUCT WEIGHT	LOAD CAPACITY	FINISH	AVAILABLE COLORS
SR898	36.44" x 77.54" x 29.39" (926 x 1970 x 747mm)	89lb (40.4kg)	300lb (136.1kg)	Textured Powder Coat	Black

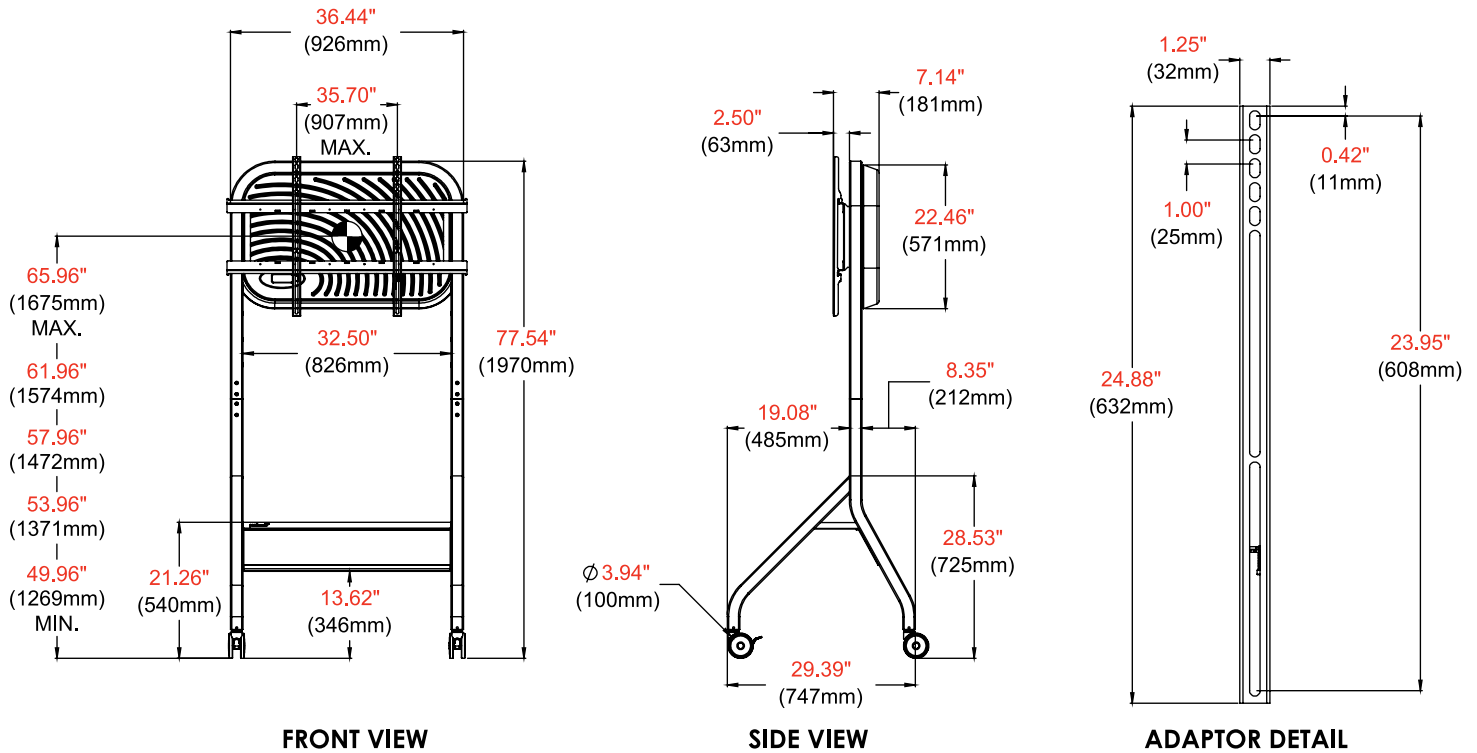
Package Specifications

	PACKAGE SIZE (W x H x D)	PACKAGE SHIP WEIGHT	PACKAGE UPC CODE	PACKAGE CONTENTS	UNITS IN PACKAGE
SR898	41.34" x 6.30" x 46.86" (1050 x 160 x 1190mm)	109lb (49.4kg)	735029350972	Right and Left Frames, Upright Tube, Steel Shelf, Universal Display Adaptor, (2) Swivel Casters, (2) Locking Swivel Casters, (3) Outlet Extension Cord, ABS Rear Cover, Hardware & Instructions	1

Accessories

- |  |   |
|--|---|
| <b>ACC148:</b> 6-Outlet Surge Protector, 15ft Cord with Mounting Bracket | <b>ACC-SB2:</b> Large Universal Soundbar / VC Mount |
| <b>ACC149:</b> (2) 600mm tall Adaptor Brackets                           | <b>ACC-UCM:</b> Universal AV Component Mount        |
| <b>ACC152:</b> Replacement Caster Kit (2 locking, 2 non-locking) 300lb   | <b>ACC-V1500X:</b> 1200 and 1500mm VESA® Adaptor    |
| <b>ACC310:</b> Leveling Feet Accessory                                   |   |

All dimensions = inch (mm)



Architect Specifications

The SmartMount® Flat Panel Cart shall be a Peerless-AV model SR898 and shall be located where indicated on the plans. Assembly and installation shall be done according to instructions provided by the manufacturer.

Visit [peerless-av.com](http://peerless-av.com) to see the complete line of AV solutions from Peerless-AV, including outdoor displays, kiosks, display mounts, projector mounts, carts/stands, and a full assortment of accessories.

**Peerless-AV**  
 2300 White Oak Circle  
 Aurora, IL 60502  
 USA  
**(800) 865-2112**  
**(630) 375-5100**

**Peerless-AV EMEA**  
 Unit 2 Curo Park  
 Frogmore, St. Albans  
 Hertfordshire, AL2 2DD  
 United Kingdom  
**+44 (0) 1923 200 100**

**Peerless-AV B.V.**  
 Papendorpseweg 75  
 3528 BJ Utrecht  
 The Netherlands  
**+31 (0) 70 770 8037**

**Peerless-AV Latin America**  
 Av. de las Industrias 413  
 Parque Industrial Escobedo  
 General Escobedo, N.L.,  
 México, 66062  
**+52 (81) 8384-8300**

