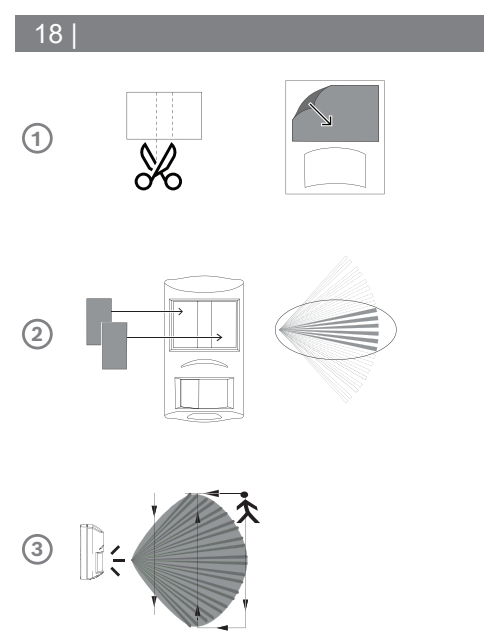
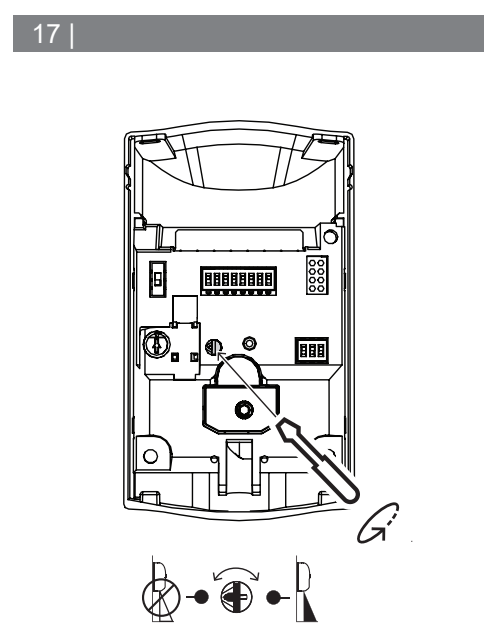
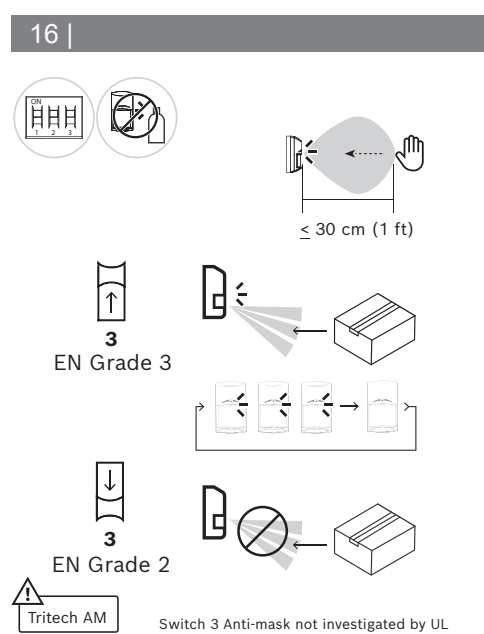
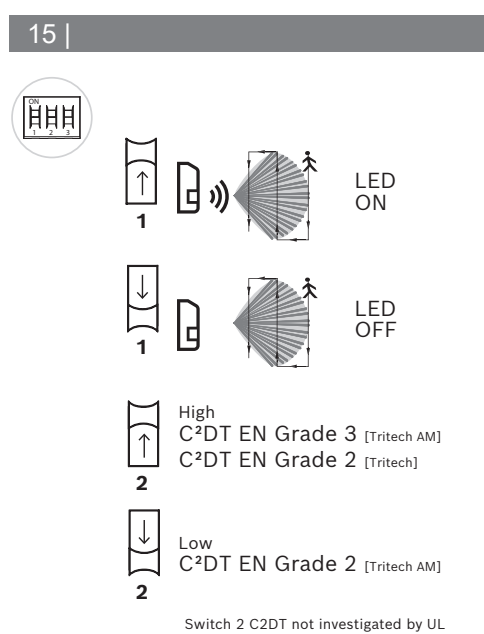
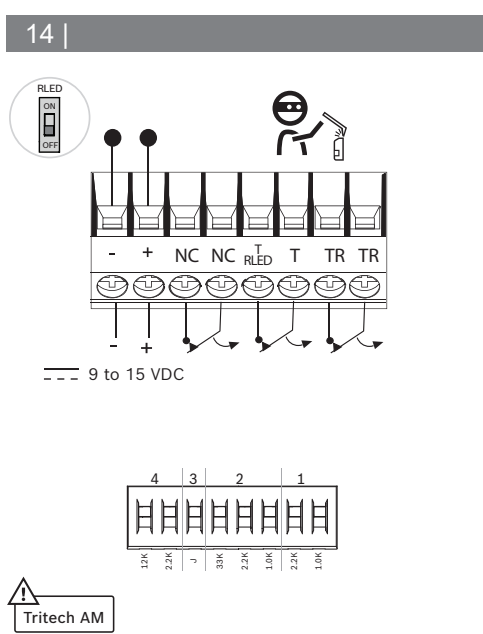
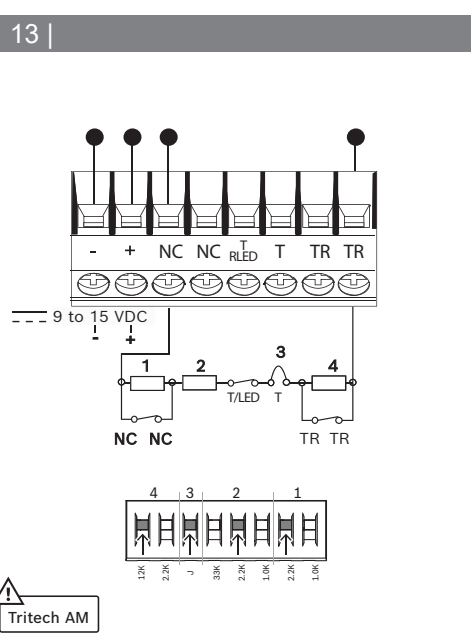
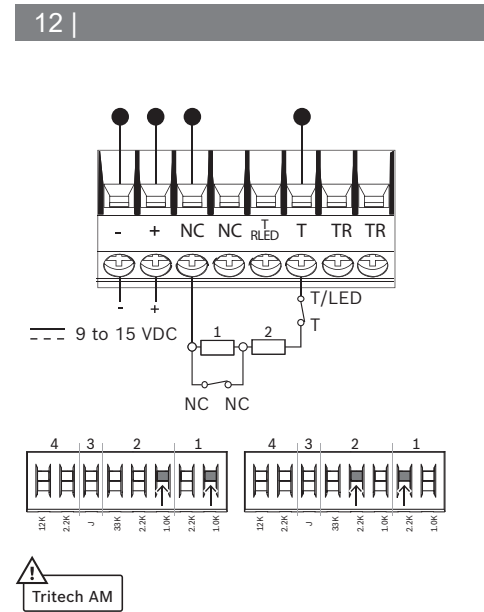
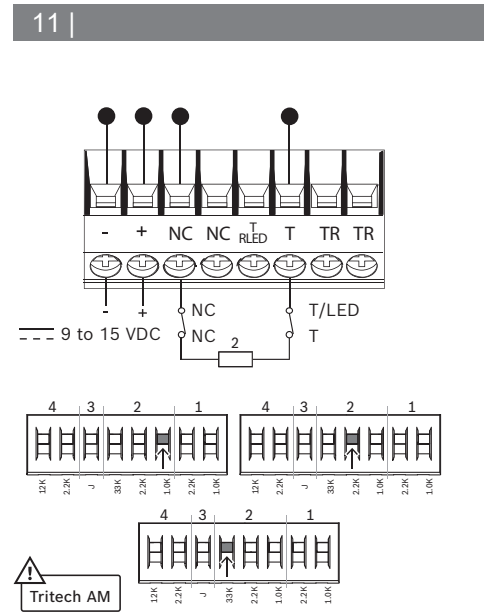
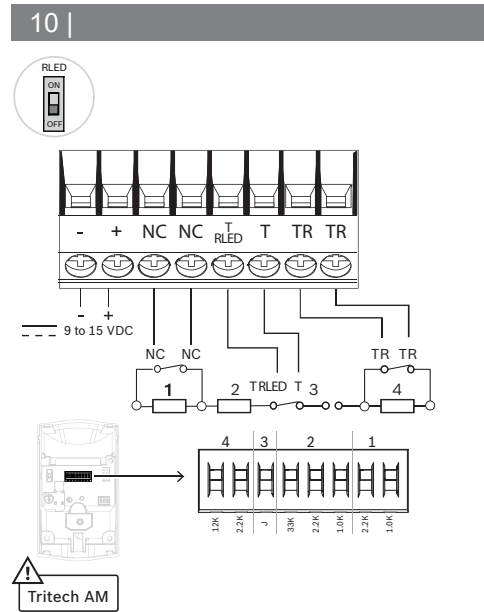


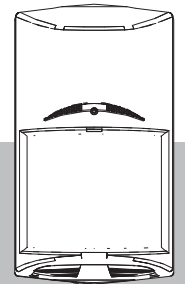
9 |

RLED	LOW	OFF	OFF
OFF	HIGH	ON	ON
ON	LOW	ON	ON
	HIGH	OFF	OFF

Tritech AM



Commercial Series Gen 2 Anti-mask
 CDL2-A15G | CDL2-A15H |
 CDL2-A15G-CHI | CDL2-A12G



en Quick installation guide

Bosch Security Systems B.V.
 Torenallee 49
 5617 BA Eindhoven
 Netherlands
www.boschsecurity.com
 © Bosch Security Systems B.V., 2024

Building solutions for a better life

23 |

AT	DK	HU	LV	RU
BE	EE	IE	MT	SE
BG	EL	IS	NL	SI
CH	ES	IT	NO	SK
CY	FI	LI	PL	FR
CZ	FR	LT	PT	UA
DE	HR	LU	RO	UK

10.575 to 10.6 GHz
 <20 mW
 CDL2-A15H

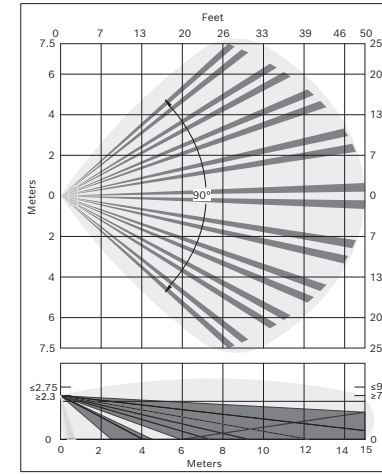
AT	DK	HU	LV	RU
BE	EE	IE	MT	SE
BG	EL	IS	NL	SI
CH	ES	IT	NO	SK
CY	FI	LI	PL	FR
CZ	FR	LT	PT	UA
DE	HR	LU	RO	UK

10.51 to 10.55 GHz
 <20 mW
 CDL2-A15G
 CDL2-A15G-CHI
 CDL2-A12G

Manufacturing dates
 For product manufacturing dates, go to
<http://www.boschsecurity.com/datecodes/>
 and refer to the serial number located on the
 product label.

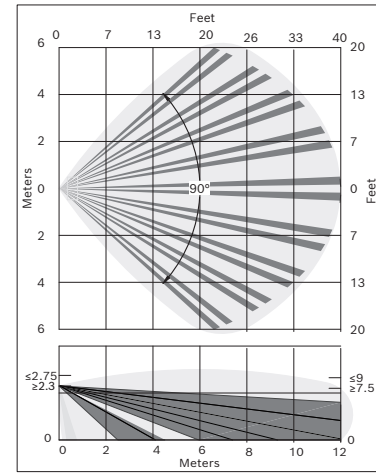
22 |

CDL2-A15G | CDL2-15G
 CDL2-A15H | CDL2-15H
 CDL2-A15G-CHI | CDL2-15G-CHI

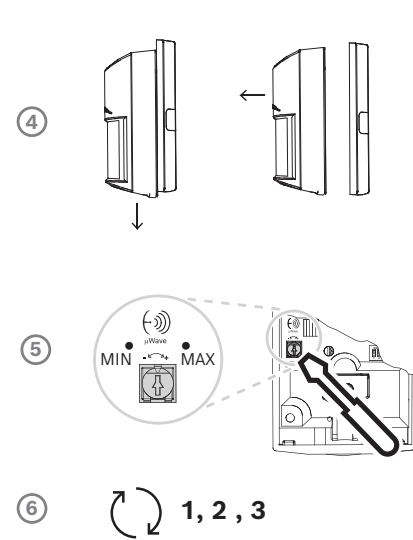


21 |

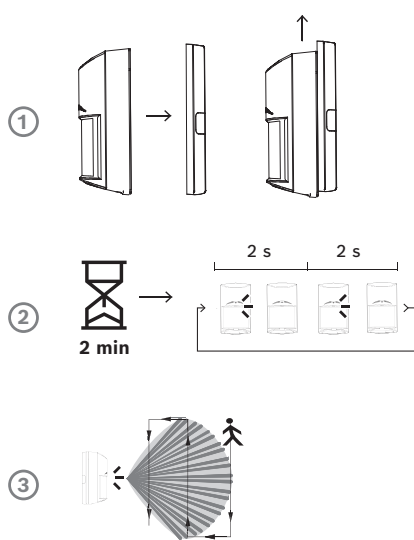
CDL2-A12G



20 |



19 |



28 |

EU		CE CE - 2014/53/EU (RED), 2011/65/EU and 2015/863 (RoHS) (CDL2-A15G, CDL2-A15H)
	VdS	EN EN 50131-2-4 Grade 2 (CDL2-A15G, CDL2-A15H) EN 50130-5, Environ- mental Class II EN60529, EN62262: IP41 / IK04

27 |

Dimensions	120 mm x 70 mm x 55 mm (4.7 in x 2.75 in x 2.2 in)	
Weight	116 g (4.05 oz)	
Region	Agency	Certification
USA and CA	SECURITY SIGNALING UL LISTED	cULus UL 639, ULC S306-03, In- trusion Detection Unit, Type S (CDL2-A15G, CDL2-A12G)
	FCC	FCC ID: T3X-CDL2, Part 15 Subpart B and C (CDL2- A15G, CDL2-A12G)
	ISED	IC ID: 1249A-CDL2, RSS-210, (CDL2-A15G, CDL2-A12G)

26 |

Voltage (operating)	9 to 15 VDC, 9-15 Vcc de 16 mA @ 12 Vcc en veille/en alarme, source limitée en puis- sance, ondulation résiduelle 1 V.
Current (max)	16 mA
Alarm relay	<35 mA, 25 V
Wiring loops	Ø 1.29 mm to 0.40 mm (16 AWG to 26 AWG) (UL: 22 AWG to 16 AWG)
	-20 °C - +55 °C (-4 °F - +131 °F) EN 50130-5 Class II: -10 °C - +55 °C (+14 °F - +131 °F) UL/ C-UL: 0 °C - +49 °C (+32 °F - +120 °F)
	0- 93% Relative humidity non-con- densing

25 |

FCC / ISED	This device complies with part 15 of the FCC Rules and Industry Canada license-exempt RSS standard(s). Operation is subject to the following two conditions: (1) this device may not cause interference, and (2) this device must accept any interference, including interference that may cause undesired operation of the device
	Le présent appareil est conforme aux CNR d'Industrie Canada applicables aux appareils radio exempts de licence. L'exploitation est autorisée aux deux conditions suivantes : 1) l'appareil ne doit pas produire de brouillage, et (2) l'utilisateur de l'appareil doit accepter tout brouillage radioélectrique subi, même si le brouillage est susceptible d'en compromettre le fonctionnement.

24 |

Changes or modifications not expressly approved by Bosch Security Systems B.V. can void the user's authority to operate the equipment.

cUL / us	Perform Walk Test at least once a year. Use only a Listed Class 2 Power Limited power source. Standby power: The Listed control unit or a listed burglary power supply must provide 4 hours of standby power. Install the unit in accordance with National Electrical Code NFPA 70 and Part 1 of the Canadian Electrical code CSA C22.1.
----------	--

29 |

FR	CNPP	 AFNOR - NF&A2P CDL2-A15H : EN50131-2-4 Grade 2, NF324-H58 + RTC 50131-2-4Certificate # 2830200014 NF (AFNOR) www.marque-nf.com , A2P (CNPP): www.cnpp.com Autosurveillance à l'ouverture Immunité champ magnétique. Test sans masque de vision vertical et sans immunité aux animaux
----	------	---

30 |

AUS	ACMA	RCM
BR	ANATEL	ANATEL: 03722-24-02045 Ente equipamento não tem direito à proteção contra interferência prejudicial e não pode causar interferência em sistemas devidamente autorizados
BE	ANPI	INCERT B-B09-1010
SE	SBSC	CDL2-A15G : No23-280, SSF 1014, utgåva 6
UK		UK CA CDL2-A15H
CN	CSP	CSP2022031901000023 (CDL2-A15G-CHI)