



---

INSTRUCTION BOOK FOR  
Model C Floor Stand

---

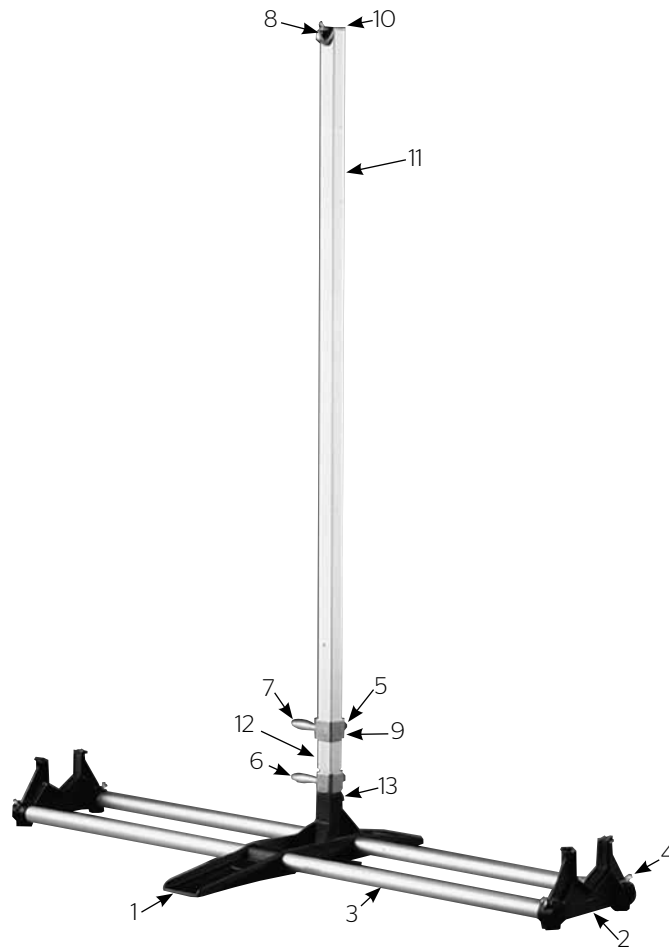
**DA-LITE**<sup>®</sup>

## Assembling Model C Base

---

1. Insert two round tubes (3) through end bracket (2) flush with outside of bracket. Tighten thumb screws (4).
2. Slide center bracket (1) in place on round tubes (3). Tighten thumb screws (4).
3. Place second end bracket (2) in position at opposite end in same manner as center bracket (1).
4. Insert assembled tube (11, 12, 13) in socket and lockspring lock.
5. Place screen case in end bracket (2) with slat and D-ring on top and centered with center bracket (1).
6. Raise screen and hook D-ring into safety-catch of hanger (8).

**⚠ CAUTION! - Observe the following operating instructions and mechanical sequence carefully to avoid damaging your screen. DO NOT RAISE tubing beyond the standard vertical height of your particular Da-Lite screen.**



## Operating Instructions Model C Base

---

**For 6' Height:** Pull out springlock (5), then raise handle (7) until springlock locks securely at 1st position.

**For 7' Height:** Raise handle (7) until springlock locks securely at 2nd position.

**For 8' Height:** Raise handle (7) until springlock locks securely at 3rd position.

**For 8 1/2' Height:** Raise handle (7) until springlock locks securely at 4th position.

**For 9' Height:** Raise handle (7) until spring locks securely at 4th position. Then raise handle (6) until springlock locks securely at 2nd position.

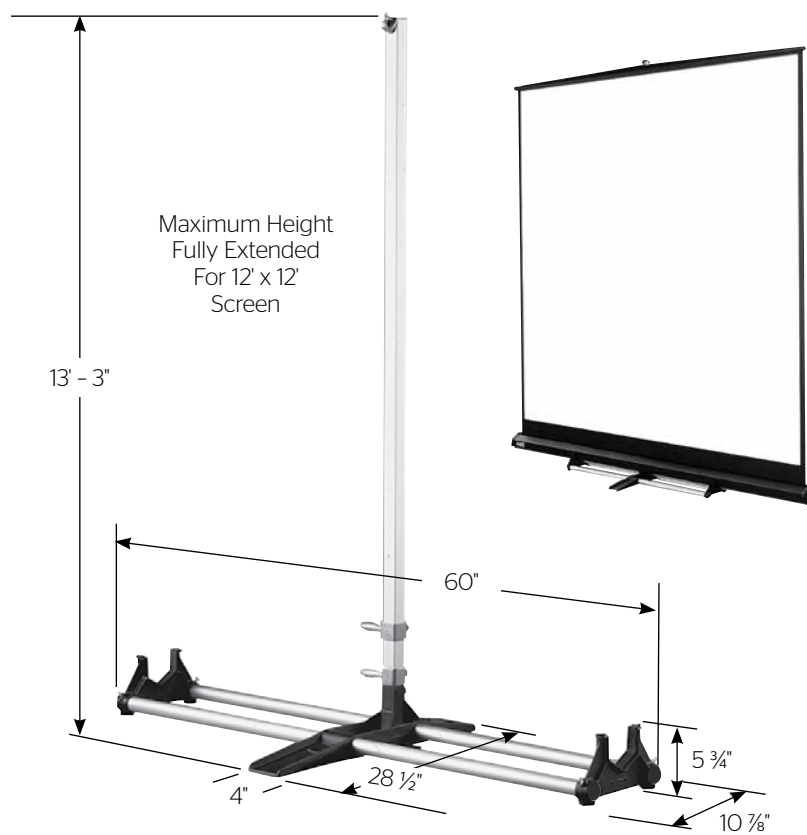
**For 10' Height:** Raise handle (7) until spring locks securely at 4th position. Then raise handle (6) until springlock locks securely at 3rd position.

**For 12' Height:** Raise handle (7) until spring locks securely at 4th position. Then raise handle (6) until springlock locks securely at 6th position.

## To Close Stand

---

Lower handle (6) to bottom position, then lower handle (7) to bottom position.



## **LIMITED ONE YEAR WARRANTY ON DA-LITE PRESENTATION PRODUCTS**

Milestone AV Technologies LLC warrants certain Da-Lite branded products to the original purchaser only, to be free from defects in materials and workmanship for a period of one (1) year from the date of purchase by the original purchaser; provided they are properly operated according to Da-Lite's instructions and are not damaged due to improper handling or treatment after shipment from the factory.

This warranty does not apply to equipment showing evidence of misuse, abuse or accidental damage, or which has been tampered with or repaired by a person other than authorized Da-Lite personnel.

Da-Lite's sole obligation under this warranty shall be to repair or to replace (at Da-Lite's option) the defective part of the merchandise. Returns for service should be made to your Da-Lite dealer. If it is necessary for the dealer to return the screen or part to Da-Lite, transportation expenses to and from Da-Lite are payable by the purchaser and Da-Lite is not responsible for damage in shipment. To protect yourself against damage or loss in transit, insure the product and prepay all transportation expenses.

**TO THE MAXIMUM EXTENT PERMITTED BY APPLICABLE LAW, THIS WARRANTY IS IN LIEU OF ALL OTHER WARRANTIES, EXPRESS OR IMPLIED, INCLUDING WARRANTIES AS TO FITNESS FOR USE AND MERCHANTABILITY.** Any implied warranties of fitness for use, or merchantability, that may be mandated by statute or rule of law are limited to the one (1) year warranty period. This warranty gives you specific legal rights, and you may also have other rights, which vary from state-to-state. **TO THE MAXIMUM EXTENT PERMITTED BY APPLICABLE LAW, NO LIABILITY IS ASSUMED FOR EXPENSES OR DAMAGES RESULTING FROM INTERRUPTION IN OPERATION OF EQUIPMENT, OR FOR INCIDENTAL, DIRECT, OR CONSEQUENTIAL DAMAGES OF ANY NATURE.**

In the event that there is a defect in materials or workmanship of a Da-Lite product, you may contact our Sales Partners at PO Box 137, Warsaw, IN 46581-0137, (574) 267-8101, (800) 622-3737.

**IMPORTANT: THIS WARRANTY SHALL NOT BE VALID AND DA-LITE BRANDED PRODUCTS SHALL NOT BE BOUND BY THIS WARRANTY IF THE PRODUCT IS NOT OPERATED IN ACCORDANCE WITH THE DA-LITE WRITTEN INSTRUCTIONS.**

Keep your sales receipt to prove the date of purchase and your original ownership.



A Milestone AV Technologies Brand

3100 North Detroit Street  
Warsaw, Indiana 46582  
P: 574.267.8101 or 800.622.3737  
F: 574.267.7804 or 877.325.4832  
E: info@da-lite.com  
www.da-lite.com

DL-0254 01.14

© 2013 Milestone AV Technologies LLC. Printed in U.S.A.

46489