

### Description

Sigcom's AM Series signals are high output continuous duty amplified speakers for industrial signaling applications. AM Series signals draw extremely low power from the audio system while producing audio reproduction up to 107 dBA. Each AM Series signal features a rugged speaker cone and a projector built with spun aluminum. The amplification, power management, and other internal circuitry are built into a rugged die cast aluminum housing which is sealed with powder coat paint and includes dust and moisture proof gaskets.

### Applications

AM Series amplified speakers have been designed for high quality signaling in harsh environments with high ambient noise. They have been approved for indoor and outdoor use and have been designed and tested for use in Type 3R applications. The AM Series uses the speaker level output of a new or existing audio system to produce high decibel voice messages or tone signals. Typical applications for AM Series include emergency warning, plant evacuation, process control, and public address signaling as well as voice evacuation and mass notification systems. The model AM-24R and AM-24G are also UL listed and approved for use in fire alarm systems.

### Operation

AM Series amplified speakers can be connected to either a 25 or 70 Vrms speaker circuit. This option is user selectable using an on board jumper – no additional modules to install. The AM Series audio output can be adjusted  $\pm 3$  dB using an on board jumper to produce a maximum sound pressure level (SPL) of either 104 dBA or 107 dBA on axis at 10 ft. AM Series signals are available in 24 VDC and 120 VAC versions. The 120 VAC model is available in grey and the 24 VDC models are available in both red and grey.

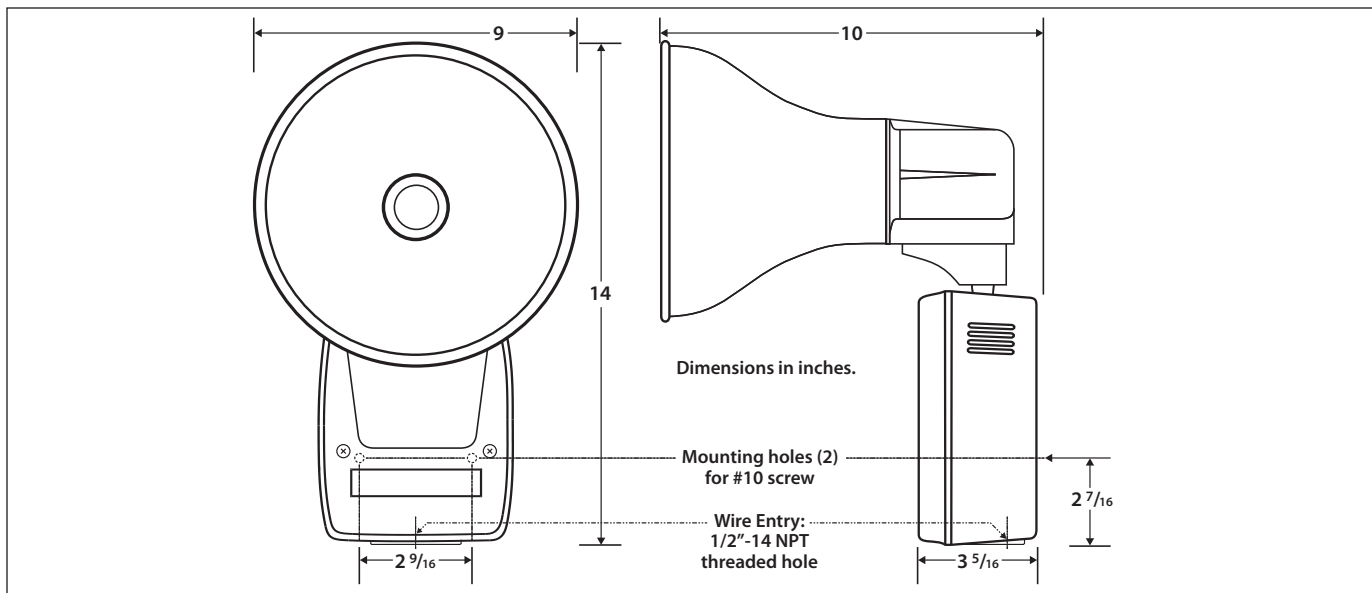


### Features

- **Designed for industrial signaling including**
  - › Emergency warning
  - › Process control
  - › Plant evacuation
  - › Public address
  - › Emergency Communication Systems (ECS)
- **UL Listed for fire alarm signaling**
- **Digital signal amplification**
- **High audio output with extremely low current draw**
- **UL Listed for indoor and outdoor use**
- **Suitable for areas with high ambient noise**
- **User selectable audio line level 25 or 70 Vrms – no additional modules needed**
- **Available for 24 VDC and 120 VAC; red or grey powder coat finish**



# AM Series Amplified Speakers



## Specifications

### AM-24G / AM-24R

<b>Input:</b>	
Power	24VDC nominal, 819mA maximum Polarity protected, for use on reversing-polarity power supplies
Audio	25 or 70VRMS AC coupled, for use with DC supervised audio circuits 30VDC Maximum Supervisory Voltage
<b>Output:</b>	
Normal	104dB on axis at 10 feet
Boost	107dB on axis at 10 feet
Connections:	Rising block terminal strip, with in-out wiring capability
<b>Physical:</b>	
Size	9"W x 14"H x 10"D
Weight	5.5 pounds

### AM-120G

<b>Input:</b>	
Power	115VAC nominal, 250 mA maximum Polarity protected, for use on reversing-polarity power supplies
Audio	25 or 70VRMS AC coupled, for use with DC supervised audio circuits 30VDC Maximum Supervisory Voltage
<b>Output:</b>	
Normal	104dB on axis at 10 feet
Boost	107dB on axis at 10 feet
Connections:	Rising block terminal strip, with in-out wiring capability
<b>Physical:</b>	
Size	9"W x 14"H x 10"D
Weight	5.5 pounds

*Specifications are subject to change without notice due to product improvements.*

## Ordering Information

Model	Description
AM-24R	Amplified Speaker, weatherproof, 24 VDC, red
AM-24G	Amplified Speaker, weatherproof, 24 VDC, grey
AM-120G	Amplified Speaker, weatherproof, 120 VAC, grey



4 Wheeling Avenue; Woburn, MA 01801  
 Phone – (781) 933-0998 | Fax – (781) 933-5019  
 Email – sales@sigcom.com | www.sigcom.com

©2016 Signal Communications Corporation; all rights reserved

161101r0/AM24G-24R-120G