



## **WARNING: INSTALLATION OF THIS PRODUCT NEAR POWER LINES IS DANGEROUS. FOR YOUR SAFETY, FOLLOW THE INSTALLATION DIRECTIONS.**

### **Follow These Rules and Live**

1. Perform as much antenna assembly on the ground as possible.
2. Watch out for overhead power lines. Check the distance to the power lines before you start installing. Winegard recommends you stay a minimum of twice the length of the antenna plus the length of the mast from all power lines.
3. **Do not** use a metal ladder.
4. Remember, even the slightest touch of the antenna to a power line can cause a **fatal shock**.
5. **Don't** try to install the antenna on a windy day.
6. **Have a spotter** when you are on the roof; they can see things you may miss.
7. If you start to drop the antenna, let it go. You could lose your balance and fall also.
8. If any part of the antenna comes into contact with power line - **CALL YOUR POWER COMPANY! DO NOT ATTEMPT TO REMOVE IT YOURSELF!** They will remove it for you.
9. Mast, downlead and guy wires are all excellent conductors. **Keep them away** from power lines also.
10. Make sure the antenna mast assembly and downlead are **grounded** per National Electrical Code (see reverse side for an example).

### **General Installation Instructions for Mast Mounted Antennas**

1. Assemble your antenna on the ground at the installation site per its separate instructions.
2. On the ground, attach antenna to the mast. Pull enough coax downlead and connect to the antenna per its instructions.
3. To ensure that the mast does not fall, a durable nonconductive rope should be attached to each ten foot section as it is raised.
4. Install selected mounting bracket.
5. If you are using guy wire installation instead of a mounting bracket:
  - Install guy anchor bolts
  - Estimate length of guy wire and cut
  - Attach to mast using guy ring
6. Carefully attach the antenna and mast assembly to the mounting bracket. Tighten clamp bolts. In case of guyed installation, it will be necessary to have at least a second person hold the mast upright while the guy wires are attached and tightened to anchor bolts.

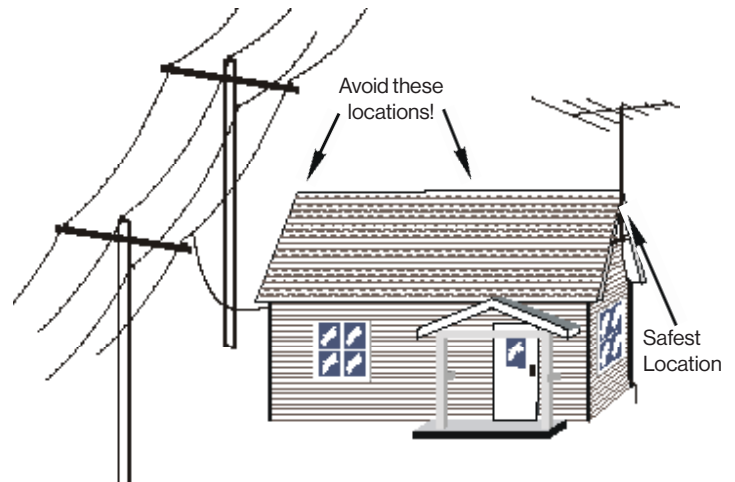
### **Where To Install Your Antenna**

Before attempting to install your antenna, decide on the best location to install your antenna for both safety and performance. To determine a safe distance from wires, power lines and trees:

1. Measure the length of your antenna and times by 2.
2. Add this measurement to the length of your tower/mast.

**If you are unable to maintain this safe distance, STOP!** Get professional help. Most antennas are supported by tripod masts or pipe masts attached to the chimney, roof, or to the side of the house. Generally, the higher the antenna, the better it performs. Good practice is to install your antenna about 5 to 10 feet above the roof line and away from power lines and other obstructions.

**NOTE: If antenna is mounted in either of these two locations, the safest distance from power lines should be twice the length of the antenna plus the length of the mast.**



### **Do's and Don'ts For Installing Antennas**

- **If you are not sure that you can install the antenna safely, Do Not Try It!** Contact a professional installer.
- Stay at least twice the length of the antenna plus the length of the mast assembly away from power lines. If you do not have enough room contact a professional to do the job.
- For mast support, use only 1-1/4" O.D. pipe or larger antenna mast sections. Lengths over 10 feet should be guyed at least every 10 foot section.

**NOTE: In the case of a "ground up" antenna installation, it may not be necessary to ground the mast if the mast extends four or more feet into the ground. Consult a TV serviceman for the proper depth in your location.**



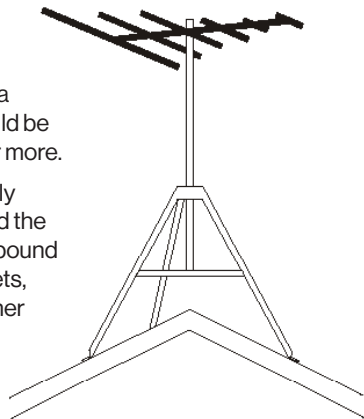
1450089

# Types of Support Structures and Mounting

## Tripod Mount

Used on peaked and flat roofs. Suggested height limitation: 10 feet above the rooftop. Installation involving a tripod mount and a mast should be guyed if the mast is ten feet or more.

Tripod mount must be securely anchored to the roof as should the guy wires. Apply roofing compound around the base of the brackets, screws and eyebolts to weather proof the holes in the roof. Try to lag bolt the legs to the roof rafters. If not install wood plates in the attic and install bolts to secure the mount.



## Pipe and Foot Mount

Universal design allows installation on different roof pitches or side of home installations.

Mounts are made from galvanized steel and powder or e-coated for maximum protection. All hardware features a corrosive resistant advanced zinc plated finish.

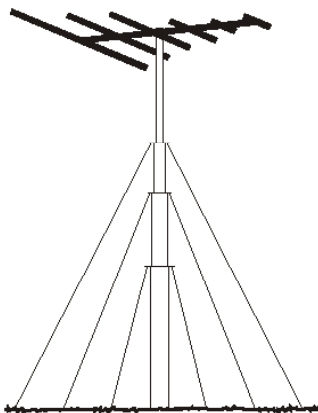


**NOTE:** Remember when doing any installation, keep the mast plumb.

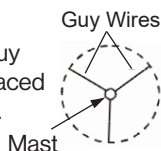
Not all mounting methods are shown here. Read and follow mount manufacturers instructions carefully.

## Telescopic Mast

The minimum safe diameter of the mast is 1-1/4 inches for this type of mount. Guy wires should be equally spaced in at least three directions. Use at least three guy wires for each ten foot section of mast.



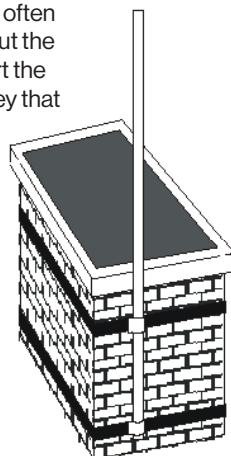
Make sure guy wires are spaced evenly apart.



## Chimney Mount

Mounts on a chimney only. Suggested height limitation: 10 feet above chimney top. The chimney is often an easy and convenient mounting place. But the chimney must be strong enough to support the antenna in high winds. Do not use a chimney that has loose bricks or mortar.

A good chimney mount consists of a 5 or 10 foot 1-1/4" diameter steel mast and two heavy duty strap clamp-type brackets. Install the upper bracket just below the top course of bricks, and the lower bracket two or three feet below the upper bracket. For maximum strength, space the brackets as far apart as possible.



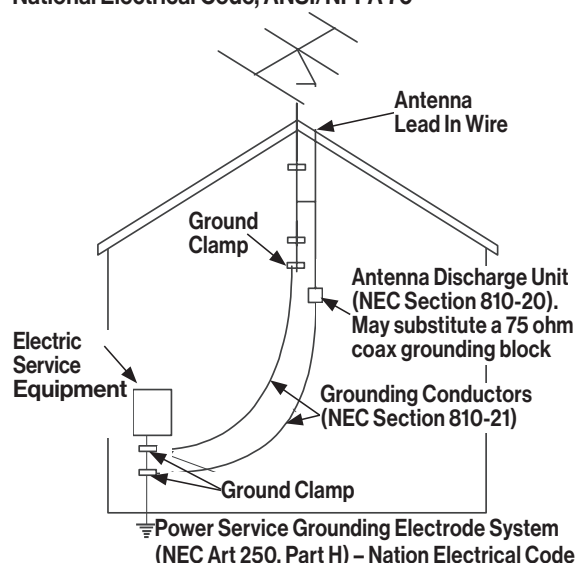
## Antenna Removal

Removal of the antenna should be exactly the reverse of the installation instructions. Please, for your own safety, follow the instructions for installing the antenna starting with the last step first.

## Lightning Protection for TV Antenna and Set

1. Mount the lightning arrestor or 75 ohm coaxial grounding block as close as possible to where the 75 ohm coaxial cable downlead enters the house.
2. The ground wires for both the mast and the downlead should be copper or aluminum wire, number eight or larger.
3. The downlead wire from the antenna to the lightning arrestor and the mast ground wire should be secured to the house, spaced from four to six feet apart.

## Example of antenna grounding as per National Electrical Code, ANSI/NFPA 70



## Danger Label Application:

If your antenna mounting structure, such as a mast, J-Mount, or pole, does not have a danger label, apply the danger label provided to the mounting structure in a clearly visible location.