

## Discover 300 Series 600 TVL Bullet Camera



### Features That Make a Difference:

- 3.8-9.5mm or 9-22mm varifocal auto iris lens (Outdoor); 3.6 or 6mm fixed lens options (Indoor)
- Digital noise reduction corrects imperfections on an image
- Auto white balance (AWB) finds best settings for the clearest images
- Day/Night switching for low light conditions
- Built-in IR illumination array allows operation in complete darkness
- Quick installation with wall mount
- Eight programmable privacy zones
- **12VDC only**

The Discover 300 Series Bullet Camera offers an attractive price/performance ratio by providing higher resolution images to budget-conscious customers. The bullet camera is ideally suited for customers requiring high-resolution images and color accuracy without a high price tag.

Digital Signal Processing (DSP), with 600 TVL on a 1/3" format interline CCD sensor, delivers clear picture quality typically available only from more expensive models. This bullet camera offers backlight compensation (BLC), automatic gain control (AGC), auto iris and auto white balance (AWB).

Optimal white balance is achieved through pre-defined or user customized settings to provide the clearest images possible. Low light sensitivity renders sharp images in scenes as dim as 0.5 lux.

The Discover 300 Series Bullet Camera features Day/Night switching with built-in IR illumination array. For settings with typical lighting such as daylight or indoor lit environments, this camera produces crisp, clear images. When light levels drop, the camera automatically turns on the built-in IR illuminators and switches from color to black and white to capture images in very low light.

With up to eight privacy zones, you can configure the camera to conceal private areas in the camera's field of view such as areas that are not subject to surveillance.

Available in NTSC or PAL formats and encased in an IP66-rated housing, the Discover 300 Series Bullet Camera meets a variety of installation requirements. It's extremely reliable, easy-to-install and designed for areas where a mixture of lighting conditions presents unique challenges.

## Specifications

### Operational

Imager	1/3" Format Interline CCD sensor
Horizontal Resolution	600 TVL
Active Pixel Count (H x V)	
NTSC	768 x 494
PAL	752 x 582
Lens	
Indoor	3.6mm: F2.0 and 6.0mm: F2.3
Outdoor	3.8-9.5mm: F1.18-2.7 and 9-22mm: F1.4-1.6
Scanning Frequency	2:1 Interlace
Min. Scene Illumination	0 lux (IR on); 0.55 lux (50IRE, F1.4, AGC max., IR off)
Iris Control	Video/DC auto
S/N Ratio	48 dB (100 IRE)
Synchronization	Internal
Shutter Speed	MES 1/60 (NTSC)/ MES 1/50 PAL, FLK, 1/250-1/100000, Auto
IR Illuminator	850nm/50m (Outdoor); 850nm/30m (Indoor)

### Controls

AGC	Low, Middle, High, Off
AGC Dynamic Range	70 IRE-100 IRE
AES	Auto luminance control 1/60-1/100000 sec. max. (NTSC) Auto luminance control 1/50-1/100000 sec. max. (PAL)
BLC	2 Zone On, Off, HLC
White Balance	Auto
Auto White Balance Range	AW1 (2700K-9700K), ATW2 (2000K-20000K), AWC, Manual
Day/Night	Auto, Color, B/W, Ext
Brightness	0-255 Level
Sharpness	0-31 Level

DWDR	On, Off
Noise Reduction	On, Off
Privacy Zones	Eight programmable
Mirror	On, Off
On-screen Display	On, Off
Back Focus	CS mount 12mm +/- 1.0mm

### Connectors

Composite Video Output	75 ohm BNC
------------------------	------------

### Electrical

Voltage	DC 12V+/- 10%
Power Consumption	2.6W (max.)

### Mechanical

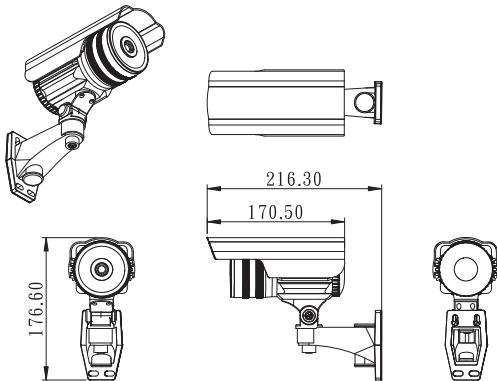
Dimensions (D x L)	
Indoor	70 x 170.5 mm (2.76 x 6.71 in)
Outdoor	84.5 x 186.5 mm (3.33 x 7.34)
Weight	
Indoor	863g (1.90 lbs)
Outdoor	1142g (2.52 lbs)
Housing Color	Silver RAL 9022 (Pantone® 877C)
Housing Material	Aluminum

### Environmental

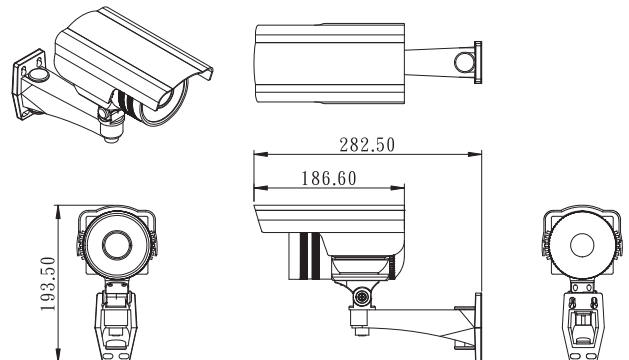
Operational Temperature	-10°C to 50°C (14°F to 122°F)
Storage Temperature	-20°C to 60°C (-4°F to 140°F)
Relative Humidity	90% non-condensing

### Regulatory

IP Rating	IP66
Emissions	FCC: Part 15, Class B; CE: EN61000, Class B
Immunity	CE: EN50130-4
Safety	NTSC: UL60950 and CSAC22.2 No. 60950 PAL: IEC60950



Indoor Bullet Dimension



Outdoor Bullet Dimension

## Ordering Information

Brand	Camera	Series	Bullet	Color	Environment	Lens	Infrared	Format
AD	CA	3	B	W = Silver	I = Indoor O = Outdoor	3 = 9-22mm Varifocal 5 = 3.6mm Fixed 6 = 6mm Fixed 7 = 3.8-9.5mm Varifocal	R	N = NTSC P = PAL

## Related Products



## Approvals



[www.americandynamics.net](http://www.americandynamics.net)