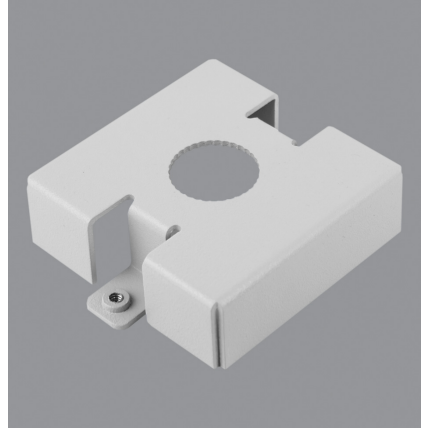


**FD2-P Pendant Mount
Adapter Plate**



C3968M (2/14)

Contents

Important Safety Instructions	3
Description	3
Parts List	3
User Supplied Parts List	3
Installation	4
Specifications	6

Important Safety Instructions

1. Read these instructions.
2. Keep these instructions.
3. Heed all warnings.
4. Follow all instructions.
5. Only use attachments/accessories specified by the manufacturer.
6. Installation should be done only by qualified personnel and conform to all local codes.
7. Use only installation methods and materials capable of supporting four times the maximum specified load.
8. Only use replacement parts recommended by Pelco.

Description

The FD2-P pendant mount adapter plate is specifically designed for use with the FD2 Series indoor fixed dome cameras.

The FD2 Series pendant mounts are color matched, made from rugged aluminum for strength, and designed with the installer in mind. The mounts provide internal cable routing to conceal wiring. The pendant models are compatible with 3/4-inch conduit fittings, making them universal worldwide.

PARTS LIST

The following parts are supplied.

Qty	Description
1	Pendant mount
2	Screws, Phillips pan head, 8-32 x 1/2-inch
1	Nut, conduit, 3/4-inch
1	Installation manual

USER SUPPLIED PARTS LIST

The following installation parts and tools are needed but not supplied.

Qty	Description
1	FD2 Series camera
1	3/4-inch conduit, threaded or with a threaded pipe nipple
1	Phillips screwdriver

Installation

1. Place a threaded pipe or pipe nipple (not supplied) into the top of the pendant.
2. Screw the conduit nut (supplied) securely onto the bottom of the threaded pipe or nipple.

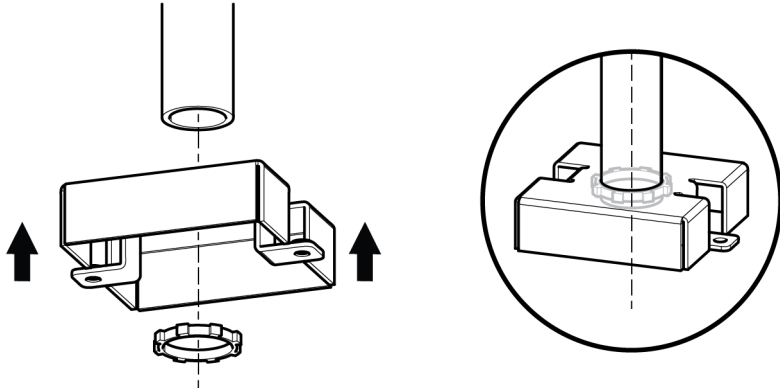


Figure 1. Preparing the Pendant

3. Pull all wiring through the pipe, conduit fitting, and pendant, and then terminate all wires (if not already terminated).
4. Attach the pendant with conduit fitting to 3/4-inch conduit.
5. Unsnap and remove the top cover of the camera from the camera base.

NOTE: The dome cover and the bubble are joined into a single unit. Do not attempt to separate them.

6. Connect the wiring to the camera (refer to the installation/operation manual shipped with the camera).

7. Use the two 8-32x1/2-inch screws (supplied) to attach the camera to the pendant.

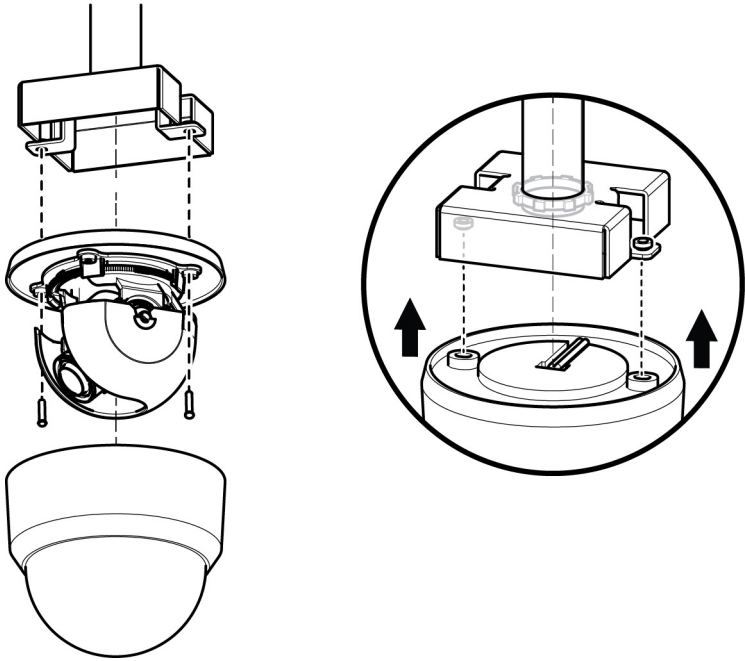


Figure 2. Attach the Camera to the Pendant

8. Refer to the installation/operation manual shipped with the camera to complete the installation.

Specifications

MODEL

FD2-P

Pendant mount adapter plate, designed for use with FD2 Series indoor dome cameras

GENERAL

Construction

Aluminum

Finish

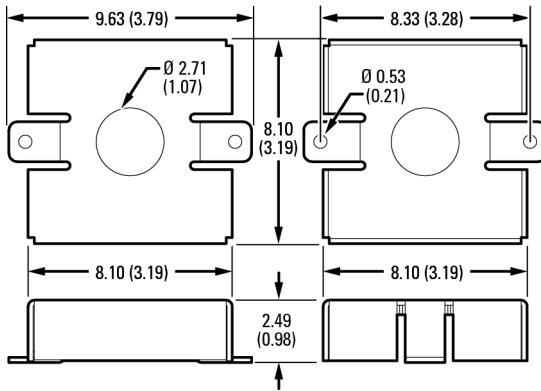
Powder coat, white

Unit Weight

0.09 kg (0.20 lb)



NOTE: VALUES IN PARENTHESES ARE INCHES; ALL OTHERS ARE CENTIMETERS.



WARRANTY STATEMENT

For information about Pelco's product warranty and thereto related information, refer to www.pelco.com/warranty.



This equipment contains electrical or electronic components that must be recycled properly to comply with Directive 2002/96/EC of the European Union regarding the disposal of waste electrical and electronic equipment (WEEE). Contact your local dealer for procedures for recycling this equipment.

REVISION HISTORY

Manual #	Date	Comments
C3968M	2/14	Original version.

Pelco, the Pelco logo, and other trademarks associated with Pelco products referred to in this publication are trademarks of Pelco, Inc. or its affiliates. All other product names and services are the property of their respective companies. ONVIF and the ONVIF logo are trademarks of ONVIF Inc. Product specifications and availability are subject to change without notice.

© Copyright 2014, Pelco, Inc. All rights reserved.

PELCOTM

Pelco, Inc. 625 W. Alluvial Ave., Fresno, CA 93711 United States
USA & Canada Tel (800) 289-9100 Fax (800) 289-9150
International Tel +1 (559) 292-1981 Fax +1 (559) 348-1120
www.pelco.com