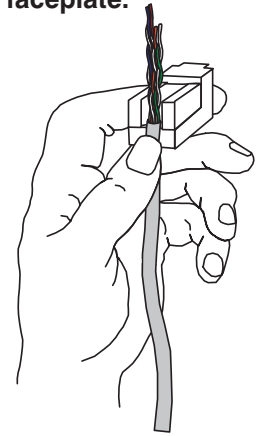


EIA/TIA 568  
Category 5e  
Shielded  
Keystone  
Modular  
Jack

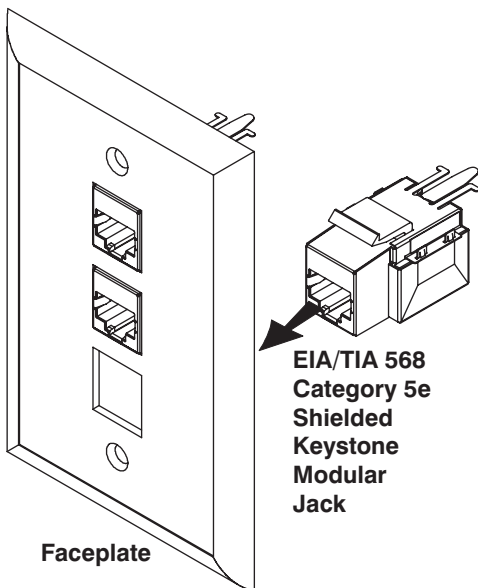
1. Remove approximately 2 3/8" of cable sheath and aluminum tape taking care not to damage the conductors.

2. Carefully trim polyester tape to leave a 3/16" covering over the conductors.
3. Fold the drainwire back so that it lies on the surface of the sheath.
4. Push the tongue between the drainwire and the polyester tape.
5. Secure the cable to the tongue with the cable tie provided and angle as required.
6. Terminate each pair in its color-coded slot ensuring that the solid-colored wire of each pair is placed in the correct slot (See diagram on back).
7. Ensure that the twist in the wires is maintained up to the IDC connector, adding half or full twists as required.
8. When the wires are correctly positioned, use a 110 impact insertion tool set to LOW or stuffer cap and pliers to make final connection.

9. Trim excess of conductor flush with side of the IDC block. Trim drainwire as required.
10. Reattach the shielded cover and snap completed jack into the faceplate.



Hold the cable and jack between the thumb and forefinger, untwist each pair and terminate them in the order shown in the table on back.

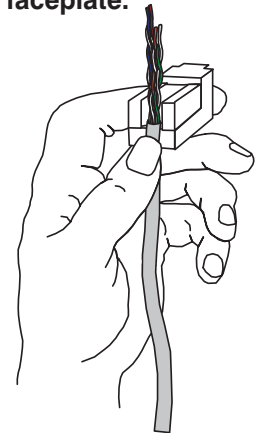


EIA/TIA 568  
Category 5e  
Shielded  
Keystone  
Modular  
Jack

1. Remove approximately 2 3/8" of cable sheath and aluminum tape taking care not to damage the conductors.

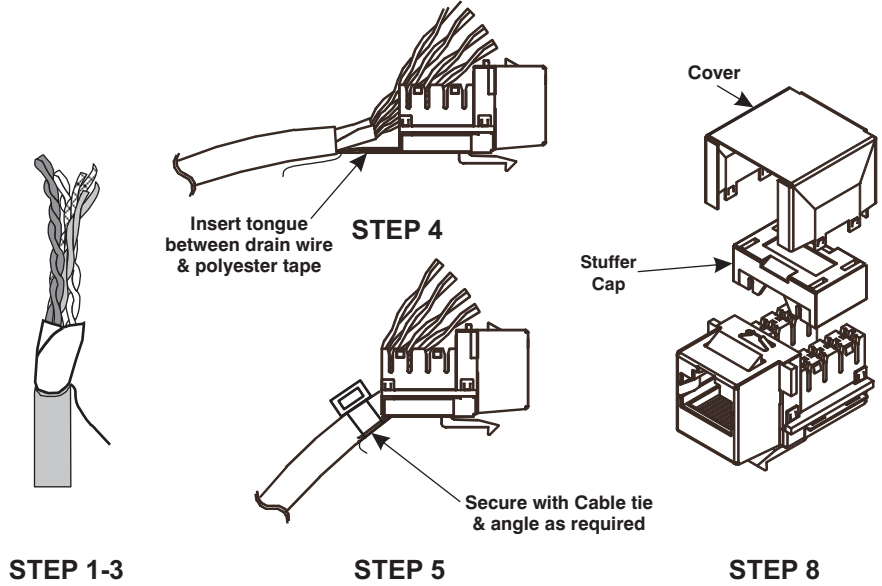
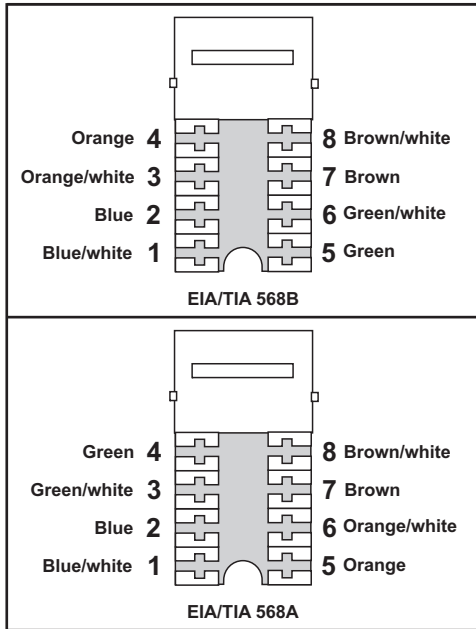
2. Carefully trim polyester tape to leave a 3/16" covering over the conductors.
3. Fold the drainwire back so that it lies on the surface of the sheath.
4. Push the tongue between the drainwire and the polyester tape.
5. Secure the cable to the tongue with the cable tie provided and angle as required.
6. Terminate each pair in its color-coded slot ensuring that the solid-colored wire of each pair is placed in the correct slot (See diagram on back).
7. Ensure that the twist in the wires is maintained up to the IDC connector, adding half or full twists as required.
8. When the wires are correctly positioned, use a 110 impact insertion tool set to LOW or stuffer cap and pliers to make final connection.

9. Trim excess of conductor flush with side of the IDC block. Trim drainwire as required.
10. Reattach the shielded cover and snap completed jack into the faceplate.



Hold the cable and jack between the thumb and forefinger, untwist each pair and terminate them in the order shown in the table on back.

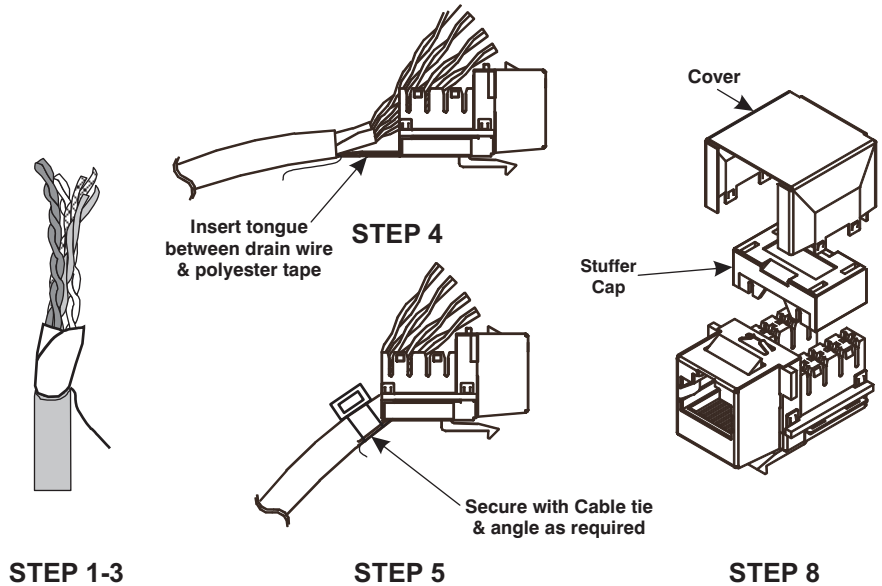
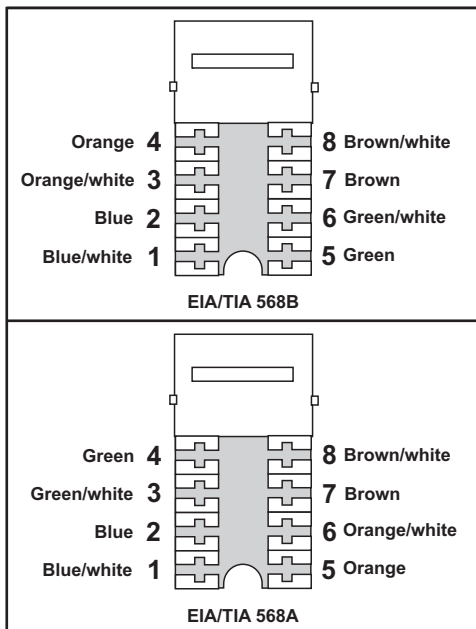
## JACK TERMINAL LAYOUT



**NOTE: Installer MUST follow EIA/ TIA 568 Installation Guidelines throughout the installation to Maintain Category 5e Compliance.**

5290 Concourse Drive • Roanoke, VA 24019 USA  
Phone: 540-265-0690 • TOLL FREE 800-622-7711  
Fax: 540-265-0724 • www.occfiber.com

## JACK TERMINAL LAYOUT



**NOTE: Installer MUST follow EIA/ TIA 568 Installation Guidelines throughout the installation to Maintain Category 5e Compliance.**

5290 Concourse Drive • Roanoke, VA 24019 USA  
Phone: 540-265-0690 • TOLL FREE 800-622-7711  
Fax: 540-265-0724 • www.occfiber.com