

SPECIFICATIONS

FEATURES/MATERIALS:

CUSTOM KEYSTONE ADAPTERS ARE AVAILABLE IN A WIDE VARIETY OF COLORS.

KEYSTONE ADAPTERS ARE CONSTRUCTED OF HIGH-IMPACT SELF EXTINGUISHING, UL RATED 94V-0

OPTIONAL COLORS CAN BE ORDERED BY REPLACING "XX" WITH COLOR CODE.
EXAMPLE: AKF02 = BLACK

SUBJECT TO AVAILABILITY, LEAD-TIMES AND MINIMUMS MAY APPLY.

KEYSTONE ADAPTER COLOR CHART

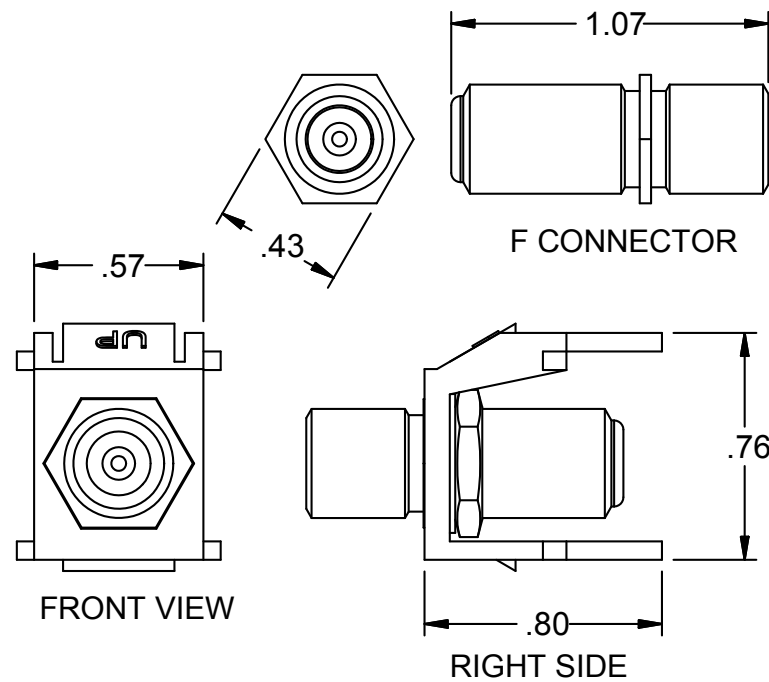
00 ELECTRICAL IVORY	07 WHITE
01 OFFICE WHITE	08 ORANGE
02 BLACK	09 YELLOW
03 RED	10 PURPLE
04 GREEN	11 BROWN
05 BLUE	12 BRIGHT WHITE
06 DATA GRAY	

PROPOSED EIA/TIA 606 COLOR CODED IDENTIFICATION SYSTEM

TERMINATION TYPE	COLOR	OCC COLOR CODE
DEMARCATON POINT	ORANGE	08
NETWORK COMMUNICATIONS	GREEN	04
COMMON EQUIPMENT	PURPLE	10
FIRST LEVEL BACKBONE	WHITE	07
SECOND LEVEL BACKBONE	GRAY	06
STATION	BLUE	05
INTERBUILDING BACKBONE	BROWN	11
MISCELLANEOUS	YELLOW	09
KEY TELEPHONE SYSTEMS	RED	03

NOTES: UNLESS OTHERWISE SPECIFIED.

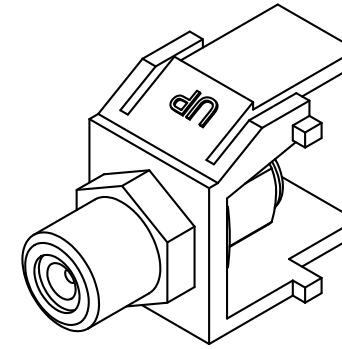
1. EACH ADAPTER ASSEMBLY IS SUPPLIED WITH COMPONENTS SHOWN.



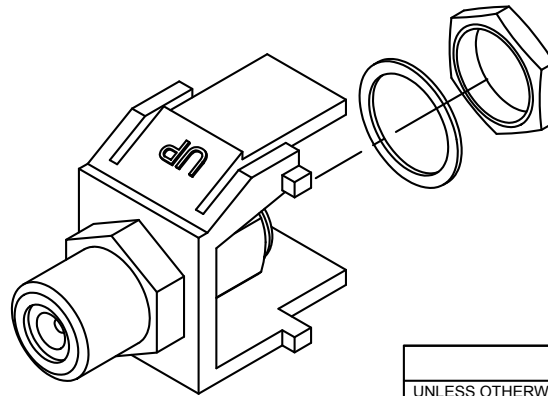
FRONT VIEW

RIGHT SIDE

F CONNECTOR



ASSEMBLED VIEW

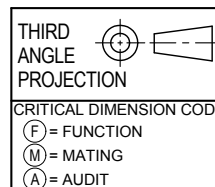


EXPLODED VIEW

"OPTICAL CABLE CORPORATION (OCC)
RESERVES THE RIGHT TO REVISE ANY
AND ALL DESIGN SPECIFICATIONS."

UNCONTROLLED COPY

AKF12	ASSY, ADAPTER, F, BRIGHT WHITE, COMMERCIAL
AKF11	ASSY, ADAPTER, F, BROWN, COMMERCIAL
AKF10	ASSY, ADAPTER, F, PURPLE, COMMERCIAL
AKF09	ASSY, ADAPTER, F, YELLOW, COMMERCIAL
AKF08	ASSY, ADAPTER, F, ORANGE, COMMERCIAL
AKF07	ASSY, ADAPTER, F, WHITE, COMMERCIAL
AKF06	ASSY, ADAPTER, F, GREY, COMMERCIAL
AKF05	ASSY, ADAPTER, F, BLUE, COMMERCIAL
AKF04	ASSY, ADAPTER, F, GREEN, COMMERCIAL
AKF03	ASSY, ADAPTER, F, RED, COMMERCIAL
AKF02	ASSY, ADAPTER, F, BLACK, COMMERCIAL
AKF01	ASSY, ADAPTER, F, OFFICE WHITE, COMMERCIAL
AKF00	ASSY, ADAPTER, F, ELEC. IVORY, COMMERCIAL
OCC PART NO.	DESCRIPTION



UNCONTROLLED COPY	
UNLESS OTHERWISE SPECIFIED DIMENSIONS ARE IN INCHES. TOLERANCES: FRACTIONS ±1/32" ANGLES ±1/2" 3 PLACE DECIMALS ±.005" 2 PLACE DECIMALS ±.01"	THIS DRAWING AND THE DESIGN SHOWN ARE THE PROPERTY OF OPTICAL CABLE CORPORATION AND MAY NOT BE USED AS THE BASIS FOR MANUFACTURE OR SALE WITHOUT SPECIFIC WRITTEN PERMISSION OF OPTICAL CABLE CORPORATION.
DRAWN D.A.HOLBERT	DATE 1/25/05
CHECKED J.HOWE	DATE 1/31/05
ENGINEER J.YANIK	DATE 1/25/05
APPROVED J.CALLOWAY	DATE 6/8/23
PREVIOUS DWG	
NEXT DWG	FILENAME C107102D.dft
MATERIAL SEE BILL OF MATERIAL	FINISH SEE NOTES

OCC
OPTICAL CABLE CORPORATION

5290 Concourse Drive
Roanoke, VA 24019
Phone: 800-622-7711
Fax: 540-265-0724
www.occfiber.com

DWG TITLE CUSTOMER DRAWING, ASSEMBLY, KMJ ADAPTER, with F (1GHz) COMMERCIAL		
SIZE B	DWG NO. C107102	REV D
SCALE: NONE	SHEET 1 OF 1	

PROPRIETARY AND CONFIDENTIAL